

Uglee Enclosure Build Guide



*Important

Please read this installation guide carefully before setting up your Uglee Enclosure. Setting out the parts accurately and correctly will be the difference between a good and a great result.

Uglee™

Introduction

Thank you for choosing one of our quality products. This product will provide you with years of trouble free protection and storage if installed in accordance with these directions.

The recommendations detailed in this guide produced by Uglee are formulated along the lines of good building practice.

They are not intended to be an exhaustive statement of all relevant data. Further, as the success of projects depends on factors outside the control of Uglee (e.g quality of workmanship, particular design, detail requirements, ect), Uglee accepts no responsibility for, or in connection with, the quality of the projects or their suitability when completed.

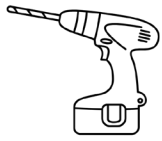
If you are in any doubt, please seek independent advice or contact Uglee. We are always happy and available to answer questions regarding installation, no matter how small or insignificant you think they may be.

Technical and further installation advice is available on www.uglee.co.nz

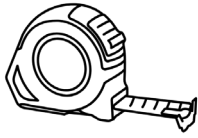
UgleeTM

Tools & Components

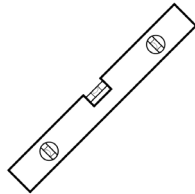
Recommended Tools.



Cordless Drill



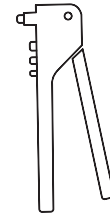
Tape Measure



Spirit Level



Rubber Mallet



Rivet Gun

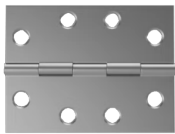


Phillips Screwdriver
5/4 Tek Screwdriver

Uglee Components.



Lock



Hinges



Closure Clip



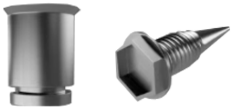
Gas Strut



Drop Bolt



Rubber Stop



Rivets & Tek
Screws



Baseplate
Screws



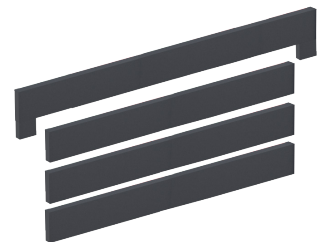
Left & Right side panel



Doors, 1 or 2
Depending on model



Roof Panel



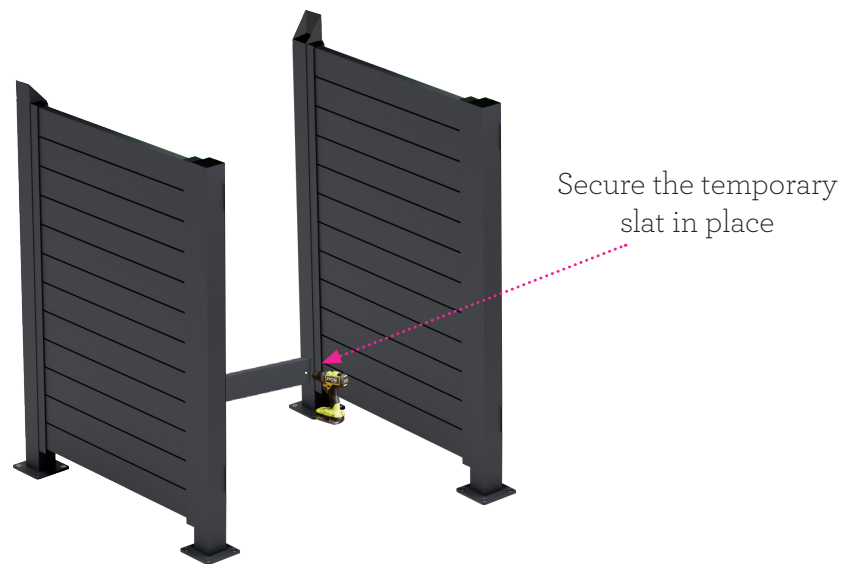
Back Slats &
Top Post

Frame Assembly

Step 1 - Fitting the back wall support.

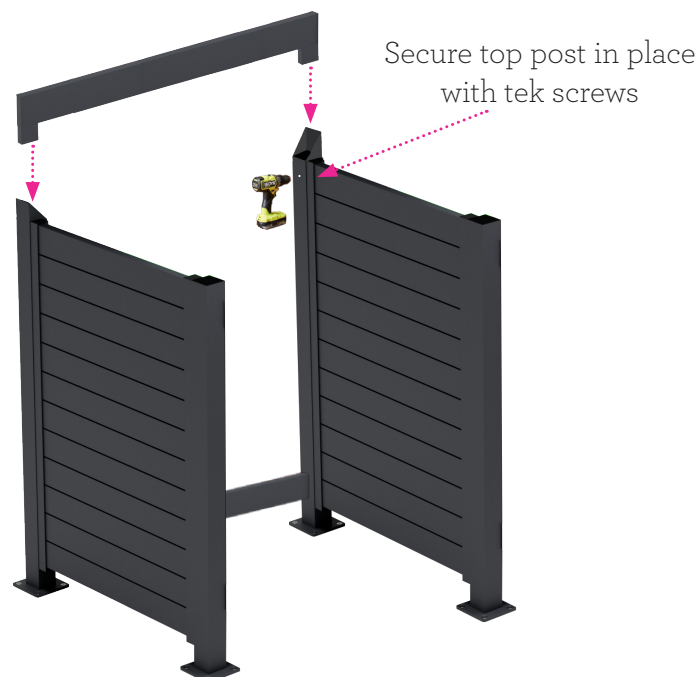
Firstly, place your pre-assembled left and right side panels on a flat surface roughly the distance of the back slats apart.

Next temporarily place one slat at the bottom and secure it in place with one tek screw on each side. Use a support spacer if needed to keep the slat level.



Once you have secured the bottom slat in place, you can slot the assembled top post support into the available left and right posts holes.

Using a drill, fix in place the top post with a provided tek screw on each side.

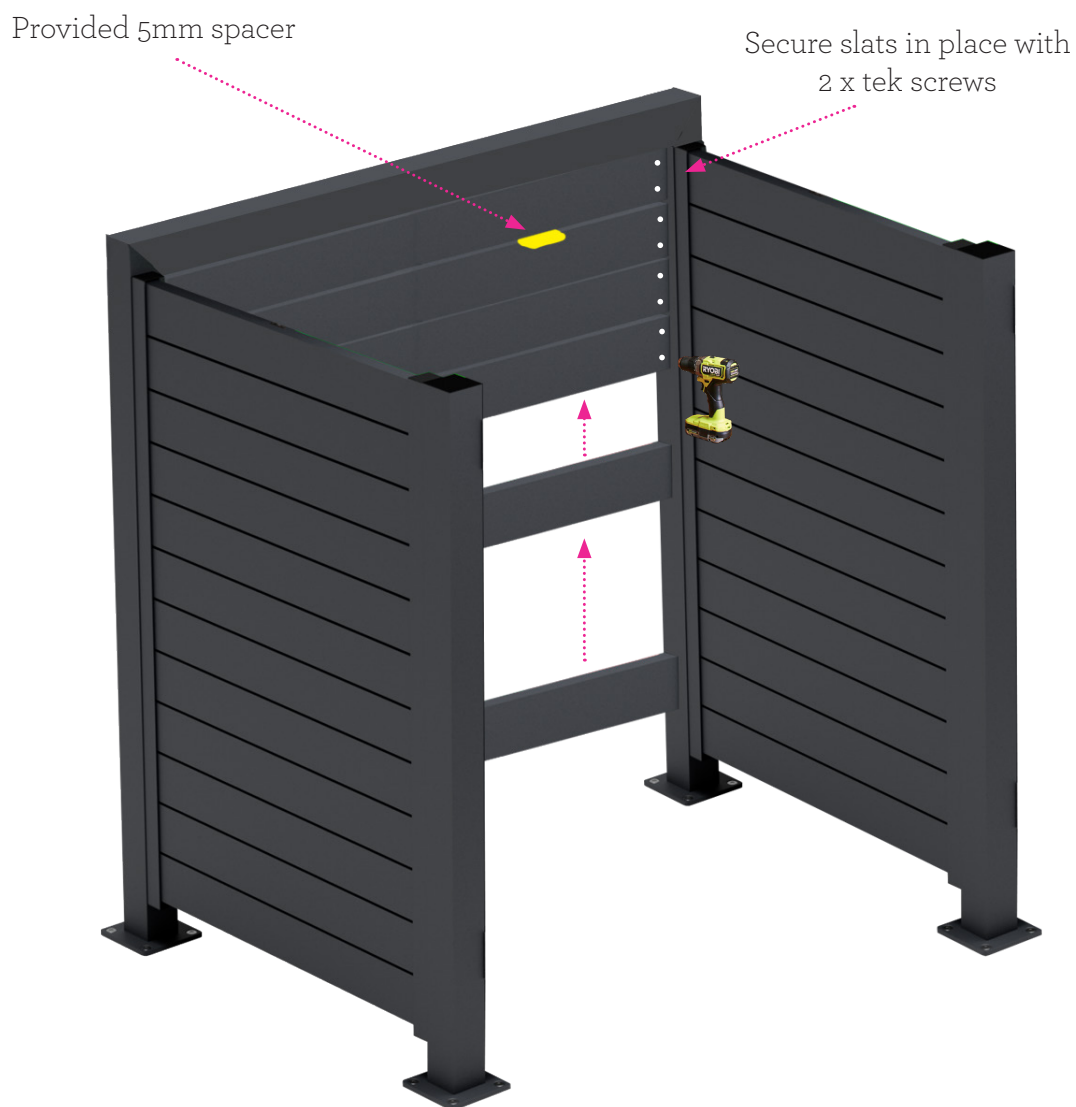


Slat Installation

Step 2 - Making up the rear panel.

Now that the top support post is secure, you can remove the temporary bottom slat that was secured in the previous step.

Next you can begin to install the rear panel slats. Begin by sliding a slat up the channels to the top post. Make sure to leave a 25mm gap using the provided spacer then fix in place with 2x tek screws on each side. Repeat this process of sliding slats up, spacing by 25mm and fixing in place until the whole back panel is complete.



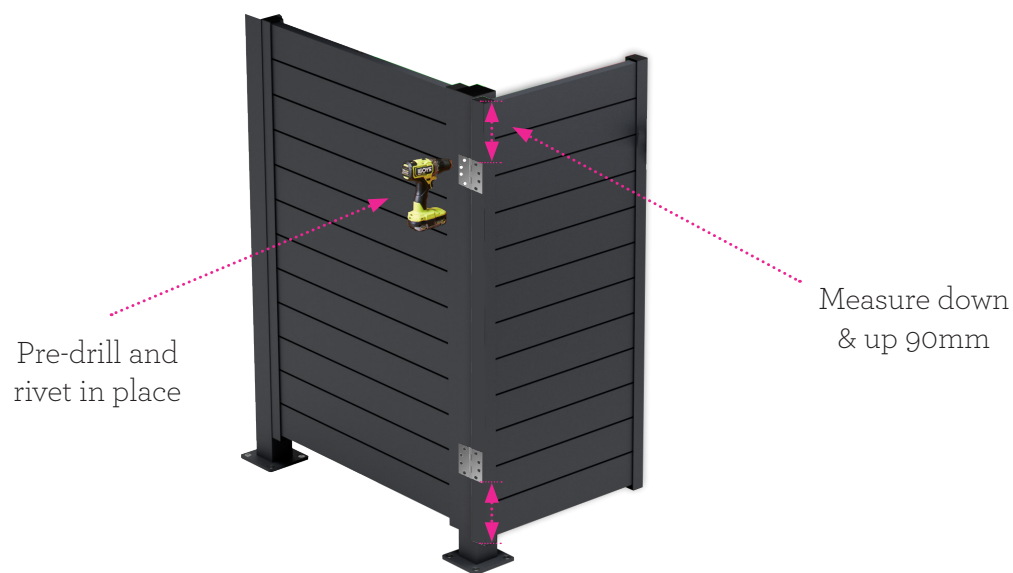
Once you have secured all the rear slats in place, you can bang in the channel covers (one on each side) to hide the tek screws. Make sure to use a rubber mallet for this step so you do not damage the panel coating.

Door & Roof Assembly

Step 3 - Fitting the door panels.

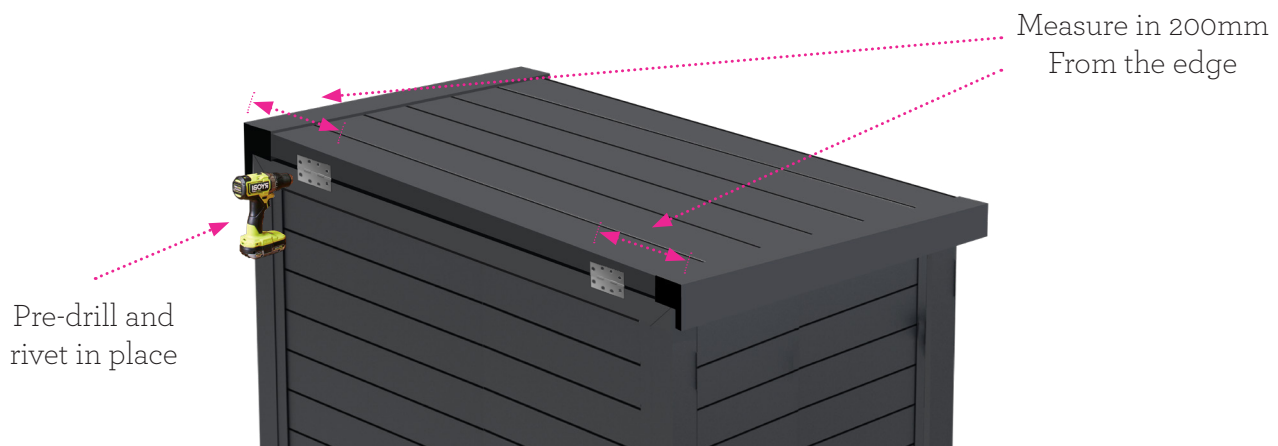
With your completed Uglee shell you can now begin to install the doors and roof panels. On the inside of the two front posts, measure down from the top and up from the bottom 90mm. Place a hinge at this mark and use the hinge holes as a guide to pre-drill the mounting holes. Do the same on the door panels.

Once all the mounting holes are ready, rivet one side of the hinges to the door panels, then line the doors up with the posts and rivet the doors to the posts.



Step 4 - Fitting the roof panel.

Place the pre-assembled roof panel onto the Uglee so it rests on the top post. Similar to the doors, measure in 200mm for each side and use a hinge as a guide to pre-drill the mounting holes. Once all the mounting holes are drilled you can rivet the roof panel to the top post.

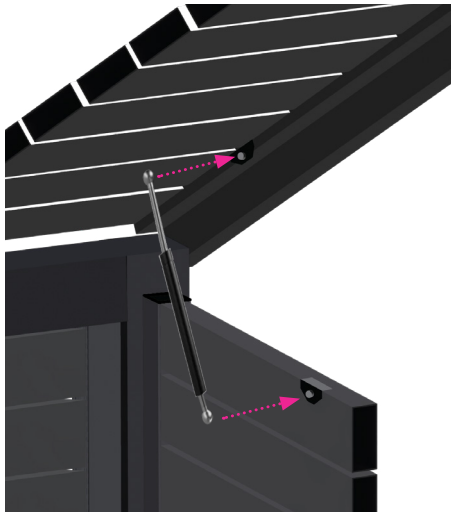


Hardware Installation

Step 5 - Fitting the Uglee hardware.

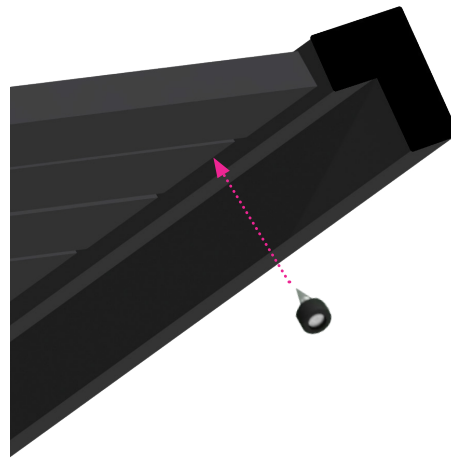
With the roof on your Uglee all that is left is to fit the provided hardware.

Gas Strut



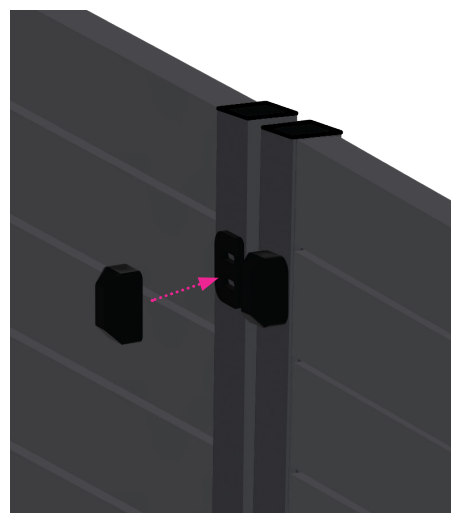
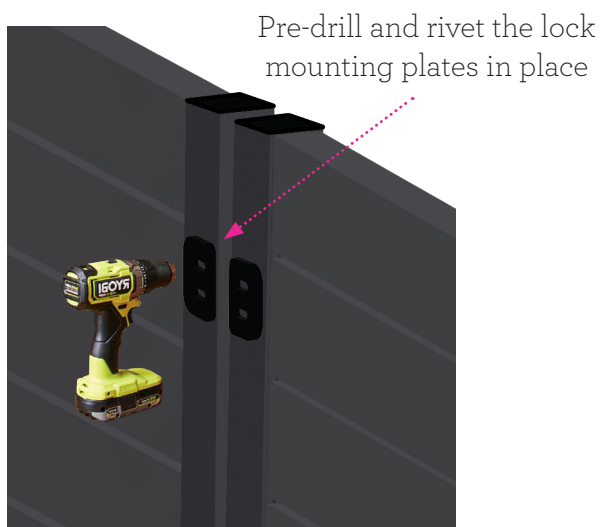
Connect the Gas Strut mounting points to the pre-installed brackets on the side panels and roof panel.

Rubber Stoppers



Screw in the rubber stoppers to the inside of the roof panel.

Lock

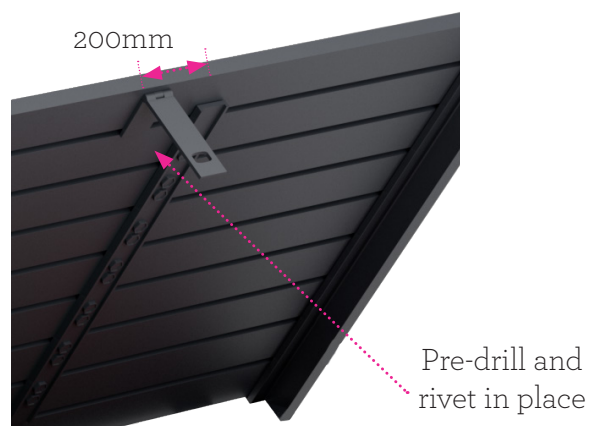
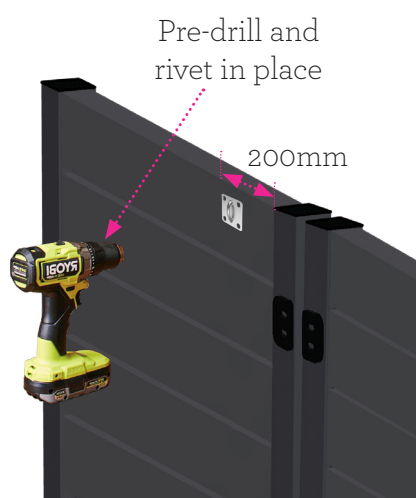


Place the lock so one side sits on each door panel. Line it up so the top of the lock is in line with the top of the second slat. Take the lock apart and pre-drill the mounting holes then rivet the lock in place. Put the lock back together.

Hardware Installation

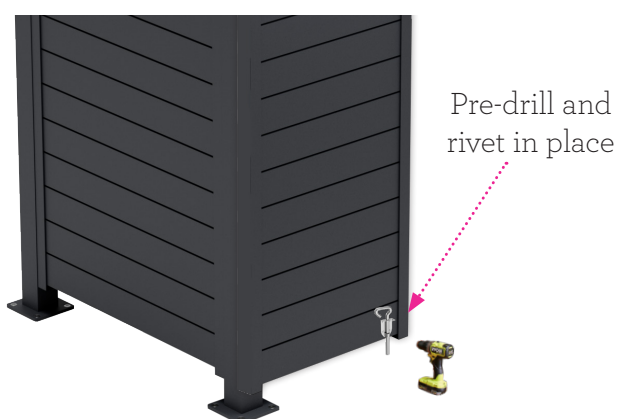
Step 5 - Fitting the Uglee hardware.

Closure Clip



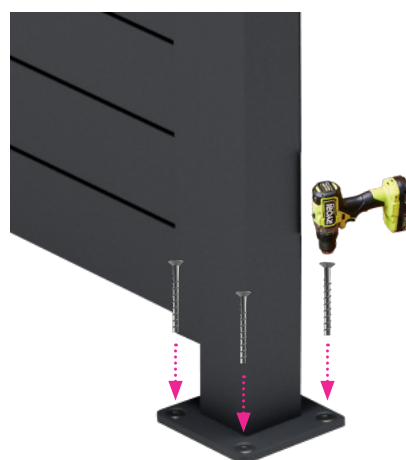
Measure 200mm in from the centre of the roof and door panels then pre-drill and mount the two padlock clip peaces on the roof and door using rivets.

Drop Bolt



Mount the drop bolt to the inside of one of the door panels by pre-drilling and riveting in place.

Securing Base Plate



Lastly, make sure your Uglee is on a flat and level surface. If not use the provided wedges to make it level. Then pre-drill then fix in place.

Done!



Congratulations your new Uglee Enclosure is complete!

Uglee™



email: info@uglee.nz
Phone: 0800 80 7433
Website: www.uglee.co.nz

Manufactured & distributed by
Storetech Industries