



# Aluminium Fencing & Screen Systems



Scan to view all  
BelAire fence drawings

BelAire<sup>®</sup>  
DESIGNER FENCING

*...make it your own!*



BelAire slats between BelAire Signature posts.

BelAire®  
DESIGNER FENCING

*...make it your own!*

# Aluminium Fencing & Screen Systems

## COST-EFFECTIVE

BelAire slat and louvre fencing is a great cost-effective option where a degree of privacy and security is required.

## BUILT TO LAST

Our powder-coated aluminium posts, channels and slats are very light, structurally very strong, and are supplied to you in a colour (or combination of colours) of your choice.

It is important to note that our fencing, with 25mm wide slats, is superior in strength to some inferior fencing with 16mm wide slats.

## EASY INSTALLATION

Our slat and oblique fencing is designed to be assembled with ease. The Aluminium fencing and screen systems use either inground or flanged posts. BelAire slat fencing panels can be easily handled by two people, making them perfect for difficult-to-access areas such as back yards or annexed ground.

We provide step by step self-install instructions that any competent DIY person should be able to follow, but if you'd rather get someone else to install it, we have a list of preferred installers throughout NZ. Call us on 0800 235 2473 and we will put you in touch with an installer in your area.

## WARRANTY

New Zealand-made and 10-year warranty information. Be assured that with very little maintenance your fence will give you great privacy and security for many years to come. Only the finest raw materials have been used in the construction of your fence. The suppliers of these raw materials state that they have a design life well in excess of 20 years. With this assurance we offer you a replacement warranty for any component of your new fencing if it fails within 10 years\* from date of purchase.



\*2yr Warranty within a 1500m sea spray zone.



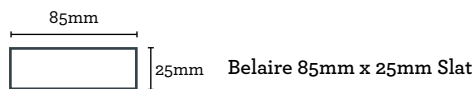
# Why Choose BelAire Slat Fencing?

## KEY FEATURES

See below our strength test of the BelAire 85 x 25 mm slat. What super strength was proven in this test when we loaded 69.3kgs onto the 85 x 25mm slat spanning 2400mm. The 65 x 16mm slat took a mere 30kgs before it crumpled to the ground. As you can see in the images below, the BelAire slat had a bow that was comparable to that of the 65mm slat even though the 16mm slat was only carrying 25.2kg.

- No Twisting, warping, rotting
- Looks the same as the day it was installed for many years
- Already finished to a colour of your choice
- Simple install
- Customizable and versatile to suit any landscape
- Horizontal or vertical options
- Lightweight but very durable
- Low maintenance
- Modern sleek look
- Adjustable gaps to suit your privacy needs
- Hidden fixings

## BELAIRE SLAT vs TRADITIONAL 65 X 16MM SLAT



# HORIZONTAL SLAT FENCING

**Post dimensions:** 60 x 60 x 2mm or 90 x 90 x 3mm BMT

**Slat profiles:** 85mm x 25mm or 60mm x 25mm

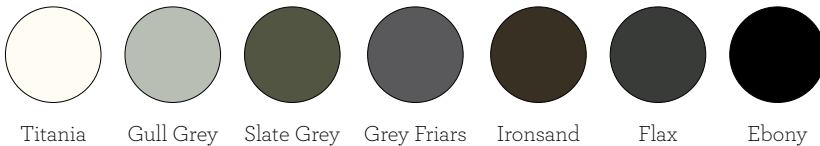
**Suitable for fence heights:** 900mm - 2400mm

**Post centres:** 2410mm, 2710mm, 3010mm

\*Based on 60mm x 60mm posts

BelAire slat fencing is fully customisable. If there's a particular size or configuration you require, call us on 0800 235 2473 and we'll custom-make a fence just for you.

## POWDER-COAT COLOURS



Titania Gull Grey Slate Grey Grey Friars Ironsand Flax Ebony

..... **STANDARD COLOUR RANGE FOR 85mm SLATS** .....  
(BEST PRICES)

You can choose the same colour for your posts, channels and slats, or any combination you wish!

We can also powdercoat the slats to any of the colours in the Dulux powdercoating chart, found at: [www.duluxpowdercoatings.co.nz](http://www.duluxpowdercoatings.co.nz)

## SLATS

### Slat construction:

85 x 25mm (standard stocked size in 7 colours above)

60 x 25mm (standard stocked in ebony only)

1.6mm powder-coated aluminium

It is important to note that our fencing, with 25mm wide slats, is superior in strength to some inferior fencing with 16mm wide slats.

Available in two heights - 85mm is our standard stocked size, and 60mm slats are available on request. The two types of slats can be used exclusively, or combined in any way you choose. Both can also be used either horizontally or vertically.

**2330mm (length) x 85mm (height) x 25mm (width)**

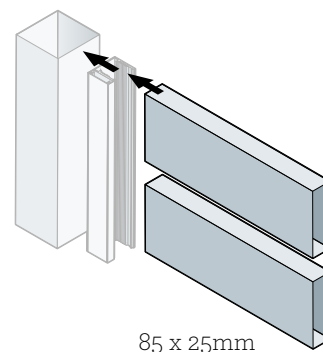
**2630mm (length) x 85mm (height) x 25mm (width)**

**2930mm (length) x 85mm (height) x 25mm (width)**

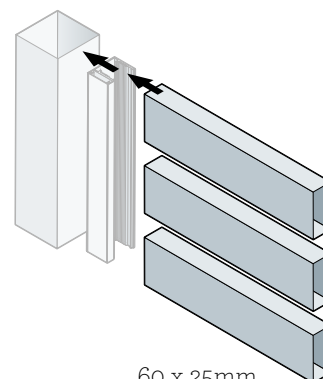
2330mm (length) x 60mm (height) x 25mm (width)

2630mm (length) x 60mm (height) x 25mm (width)

2930mm (length) x 60mm (height) x 25mm (width)



85 x 25mm



60 x 25mm

(only available in ebony)

Refer to [www.belairefencing.co.nz/aluminium-slat-fencing/](http://www.belairefencing.co.nz/aluminium-slat-fencing/) for Slat testing examples

## Horizontal Slat Panel 15

Code: BSHXXXX



**Post Centres:**

1545mm, 2410mm, 2710mm, 3010mm

**Fence Panel Heights:**

1200, 1500, 1800, 2000mm

**Slats:**

85mm x 25mm

**Slat Gaps**

15mm

## Horizontal Slat Panel 27

Code: BSHOXXXX



**Post Centres:**

1545mm, 2410mm, 2710mm, 3010mm

**Fence Panel Heights:**

1210, 1430, 1760, 1980mm

**Slats:**

85mm x 25mm

**Slat Gaps**

27mm

## Horizontal Slat Panel Mixed

Code: BSHMXXXX



**Post Centres:**

2410mm, 2710mm, 3010mm

**Fence Panel Heights:**

1200, 1500, 1800, 2000mm

**Slats:**

Mix of 85 x 25mm & 60 x 25mm

**Slat Gaps**

15mm

## Horizontal Slat Panel Solid/Open

Code: BSHS15XXXX



**Post Centres:**

2410mm, 2710mm, 3010mm

**Fence Panel Heights:**

1195, 1450, 1790, 1960mm

**Slats:**

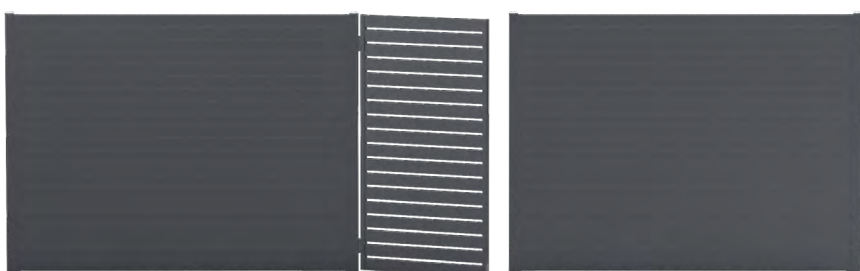
85mm x 25mm

**Slat Gaps**

15mm (Top Slats only)

## Horizontal Slat Panel Solid

Code: BSHSXXXX



**Post Centres:**

2410mm, 2710mm, 3010mm

**Fence Panel Heights:**

1190, 1445, 1785, 1955mm

**Slats:**

85mm x 25mm

**Slat Gaps**

0mm

\*Measurements based on 60mm x 60mm posts

# VERTICAL SLAT FENCING

**Post dimensions:** 60 x 60 x 2mm or 90 x 90, 3mm BMT

**Slat Profiles:** 85mm x 25mm or 60mm x 25mm

**Suitable for fence heights:** 900mm - 2400mm

**Post centres:** 2410mm, 2710mm, 3010mm

\*Based on 60mm x 60mm posts

BelAire slat fencing is fully customisable. If there's a particular size or configuration you require, call us on 0800 235 2473 and we'll custom-make a fence just for you.

## POWDER-COAT COLOURS



Titania

Gull Grey

Slate Grey

Grey Friars

Ironsand

Flax

Ebony

..... **STANDARD COLOUR RANGE FOR 85mm SLATS** .....  
(BEST PRICES)

You can choose the same colour for your posts, channels and slats, or any combination you wish!

We can also powdercoat the slats to any of the colours in the Dulux powdercoating chart, found at: [www.duluxpowdercoatings.co.nz](http://www.duluxpowdercoatings.co.nz)

## SLATS

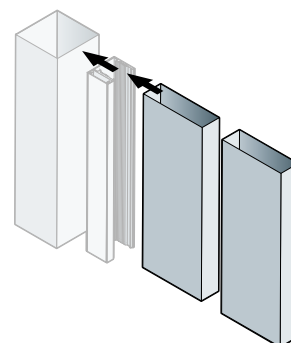
### Slat construction:

85 x 25mm (standard stocked size)

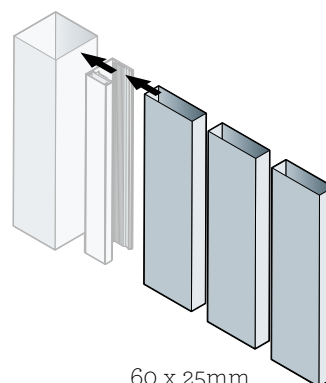
60 x 25mm (available on request)

It is important to note that our fencing, with 25mm wide slats, is superior in strength to some inferior fencing with 16mm wide slats.

Available in two heights - 85mm is our standard stocked size, and 60mm slats are available on request. The two types of slats can be used exclusively, or combined in any way you choose. Both can also be used either horizontally or vertically.



85 x 25mm



60 x 25mm

**2330mm (length) x 85mm (height) x 25mm (width)**

**2630mm (length) x 85mm (height) x 25mm (width)**

**2930mm (length) x 85mm (height) x 25mm (width)**

2330mm (length) x 60mm (height) x 25mm (width)

2630mm (length) x 60mm (height) x 25mm (width)

2930mm (length) x 60mm (height) x 25mm (width)

Refer to [www.belairefencing.co.nz/aluminium-slat-fencing/](http://www.belairefencing.co.nz/aluminium-slat-fencing/) for Slat testing examples

## Vertical Slat Panel 15

Code: BSVXXXX



### Post Centres:

1860mm, 2160mm, 2410mm,  
2710mm, 3010mm

### Fence Panel Heights:

1200, 1500, 1800, 2000mm

### Slats:

85mm x 25mm

### Slat Gaps

15mm

## Vertical Slat Panel 39

Code: BSV0XXXX



### Post Centres:

2410mm, 2710mm, 3010mm

### Fence Panel Heights:

1200, 1500, 1800, 2000mm

### Slats:

85mm x 25mm

### Slat Gaps

39mm

## Vertical Slat Panel Mixed

Code: BSMXXXX



### Post Centres:

2410mm, 2710mm, 3010mm

### Fence Panel Heights:

1200, 1500, 1800, 2000mm

### Slats:

Mix of 85 x 25mm & 60 x 25mm

### Slat Gaps

15mm

## Vertical Slat Panel Solid

Code: BSVSXXXX



### Post Centres:

2380mm, 2720mm, 2970mm

### Fence Panel Heights:

1200, 1500, 1800, 2000mm

### Slats:

85mm x 25mm

### Slat Gaps

0mm



\*Measurements based on 60mm x 60mm posts

# 60X25MM HORIZONTAL & VERTICAL SLAT FENCING



Only available as standard in Ebony, powdercoated colour options are available on request

Ebony

60 x 25mm Horizontal Slat Panel Code: BSH60XXXX



**Post Centres:**

1545mm, 2410mm, 2710mm, 3010mm

**Fence Panel Heights:**

1200, 1500, 1800, 2000mm

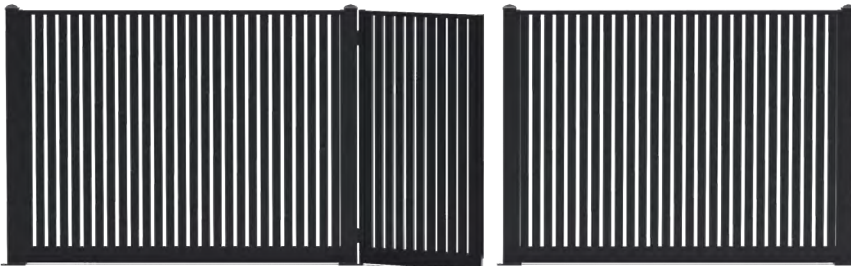
**Slats:**

60mm x 25mm

**Slat Gaps**

10mm

60 x 25mm Vertical Slat Panel Code: BSV60XXXX



**Post Centres:**

1860mm, 2160mm, 2410mm, 2710mm, 3010mm

**Fence Panel Heights:**

1200, 1500, 1800, 2000mm

**Slats:**

60mm x 25mm

**Slat Gaps**

25mm





# SLAT FENCING COMPONENTS

## IN-GROUND POSTS

Both slat and louvre fencing is supplied with 60mm x 60mm in-ground posts as standard.

The following posts are available as options:



60 x 60mm  
in-ground post  
Code: **IP6024XX**



90 x 90mm  
in-ground post  
Code: **IP9024XX**

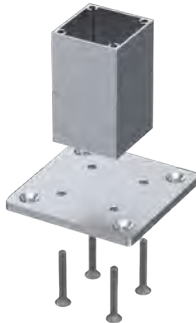


20° - 72° degree  
in-ground adjustable angle post  
Code: **AIP6024**



## FLANGED BASE POSTS

### SCREWED



120 x 120mm  
Screw on flanged base  
(60 x 60mm post)  
Code: **FP6020xx**



160 x 160mm  
Screw on flanged base  
(90 x 90mm post)  
Code: **FP9020xx**

### WELDED



120 x 120mm  
welded flanged base  
(60 x 60mm post)  
Code: **FPPC6020**



160 x 160mm  
welded flanged base  
(90 x 90mm post)  
Code: **FPPC9020**

## ADJUSTABLE ANGLE FLANGED BASE POSTS



20° - 72° degree  
flanged adjustable angle base  
Code: **AFP6020**



\*The angle you require for the adjustable flanged post will need to be specified when ordering.

# SLAT FENCING COMPONENTS

## POST CAPS

### FLUSH CAP



Plastic Cap  
(on 60 x 60mm post)  
Code: PC60PL



Plastic Cap  
(on 90 x 90mm post)  
Code: PC90PL

### EXPOSED CAP



Exposed Cap  
(on 60 x 60mm post)  
Code: PC60AL



Exposed Cap  
(on 90 x 90mm post)  
Code: PC90AL

### ADJUSTABLE ANGLE CAP



Adjustable angle cap  
Fully closed (20°)



Adjustable angle cap  
Fully open (72°)

Code: ADJ PC60 A

Code: ADJ PC60 B

## SLAT FENCING CHANNEL



25mm Channel  
Code: BSLCH



25mm Channel cover  
Code: BSLCHC



46mm Channel  
Code: BOBCH



46mm Channel cover  
Code: BOBCHC

## SLATS



60 x 25mm Slat  
Code: BSLXX60XX



85 x 25mm Slat  
Code: BSLXX85XX

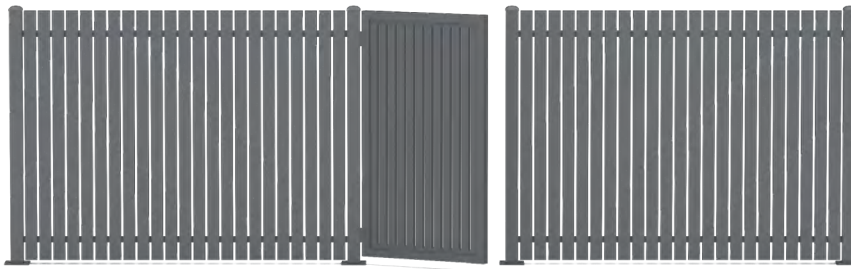
# FACE FIXED VERTICAL SLAT FENCING

**Post dimensions:** 60 x 60mm or 90 x 90mm, 2mm BMT

**Slat Profile:** 85mm x 25mm or 60mm x 25mm

**Suitable for fence heights:** 900 - 2400mm

**Post centres:** 1800mm



Commercial gas bottle storage area. - Grey Friars vertical face fixed slat option. 2000mm high with Flanged fixed 90x90mm posts.

# LOUVRE FENCING

Louvre sizes:

**2400mm (length) x 136mm (height) x 32mm (width)**  
to suit 2400mm panels

**2700mm (length) x 136mm (height) x 32mm (width)**  
to suit 2700mm panels

**3000mm (length) x 136mm (height) x 32mm (width)**  
to suit 3000mm panels

BelAire louvre fencing is fully customisable. If there's a particular size or configuration you require, call us on 0800 235 2473 and we'll custom-make a fence just for you.

You can choose the same colour for your posts, channels and slats, or any combination you wish!

We powdercoat the louvres to any of the colours in the Dulux powdercoating chart, found at: [www.duluxpowdercoatings.co.nz](http://www.duluxpowdercoatings.co.nz)

---

## LOUVRE FENCE PANELS

Louvre fence height options:

**350mm (3 louvres), 600mm (5 louvres), 900mm (8 louvres)**

**1200mm (10 louvres), 1500mm (13 louvres), 1800mm (15 louvres)**

Construction:

**135mm high aluminium aerofoil louvre fence powder-coated to your colour of choice.**



# MODULAR BIN AND UTILITY SCREENS

Great screens for hiding and securing those everyday around the house essentials that you don't want to be seen out in the open. Easy to install and available with flanged or inground posts in 7 different colour options.

Commonly used in medium and high density housing units.  
Custom designs available.





## Where Functionality Meets Elegance

Designed with both functionality and aesthetics in mind, our enclosures provide a sleek and stylish solution to keeping your outdoor space neat and tidy.

### Colour Options



## Can't find the size to suit?

We also do custom size Uglees. Send us an email with your ideal dimensions and we'll make it!



## UGLEE RANGE Sizing: WxDxH in mm

### 650 Mini



Size:  
650x650x1160  
0.46m<sup>3</sup> 0.42m<sup>2</sup>  
465 Litres

Can Fit:  
Single 140L Bin,  
Recycle Bins,  
Outdoor seat  
cushions

### 650 Double



Size:  
1100x650x1160  
0.79m<sup>3</sup> 0.71m<sup>2</sup>  
785 Litres

Can Fit:  
2 X 140L Bins,  
Toys, Small  
pool pump,  
BBQs

### 650 Triple



Size:  
1600x650x1160  
1.2m<sup>3</sup> 1.04m<sup>2</sup>  
1144 Litres

Can Fit:  
3 X 140L Bins,  
Toys, Small  
pool pump, BBQs

**UGLEE RANGE** Sizing: WxDxH in mm

**850 Mini**



Size:  
850x850x1160  
0.79m<sup>3</sup> 0.72m<sup>2</sup>  
795 Litres  
Can Fit:  
Single 240L  
Bin,  
Recycle Bins,  
Outdoor toys

**850 Double**



Size:  
1420x850x1160  
1.32m<sup>3</sup> 1.27m<sup>2</sup>  
1328 Litres  
Can Fit:  
2 X 240L Bins,  
Pool pumps,  
Bikes, BBQs,  
Toys, Cushions

**850 Triple**



Size:  
2000x850x1160  
1.87m<sup>3</sup> 1.7m<sup>2</sup>  
1870 Litres  
Can Fit:  
3 X 240L Bins,  
Recycle Bins,  
Toys, Bikes,  
Pool pumps

**AC Small**



Size:  
1100x500x800 | 0.44m<sup>3</sup> | 0.55m<sup>2</sup> |  
440 Litres  
Can Fit:  
1 X Small AC Unit

**AC Large**



Size:  
1100x500x1000 | 0.55m<sup>3</sup> | 0.55m<sup>2</sup> |  
550 Litres  
Can Fit:  
1 X Large AC Unit

**Gas Triple**



Size:  
1100x500x1650 | 0.90m<sup>3</sup> | 0.55m<sup>2</sup> |  
908 Litres  
Can Fit:  
Gas bottles, Large AC units

**The Shed**



Size:  
2470x1300x2070 | 6.45m<sup>3</sup> | 3.21m<sup>2</sup> | 5,800 Litres  
Can Fit:  
Fire wood, Bikes, Lawn mowers, Garden tools,  
BBQs



**Uglee**<sup>TM</sup>

**BUILT  
TO HIDE  
THE UGLY**

**SCAN ME!**



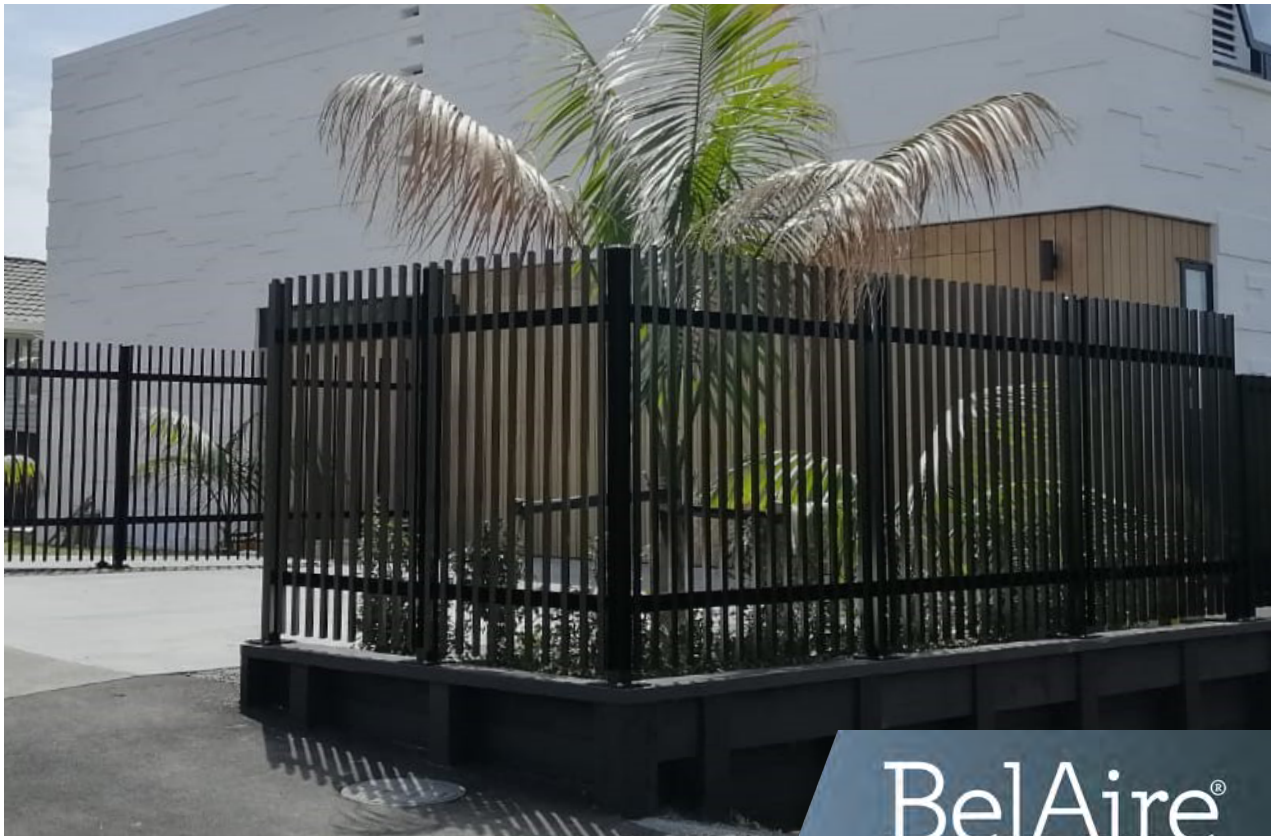


# Oblique Fencing

BelAire®  
DESIGNER FENCING

*...make it your own!*





BelAire®  
DESIGNER FENCING

*...make it your own!*

# Oblique Fencing

## PRIVACY AND VERSATILITY

The beauty of BelAire oblique fencing lies in its ability to make your property completely private when viewed from one direction, whilst it allows you to see through it from another. Keep your kids safe in the garden, while keeping an eye on them from the house. It's so versatile - with three heights and four configuration options you'll have every angle covered. And it can run along sloped boundary lines and uneven ground. (Check with us to see which configurations will best suit your requirements.)

With stunning architectural impact, BelAire oblique fencing will enhance your property and safeguard your family.

## BUILT TO LAST

The powder-coated aluminium posts, channels and slats are very light, structurally very strong, and are supplied to you in classic Kiwi Dulux Flaxpod. BelAire oblique fencing can also be supplied in any Dulux powdercoat colour (or combination of colours) of your choice at additional cost.

## EASY INSTALLATION

BelAire oblique fencing is designed to be assembled with ease. The posts are simply concreted into post holes while the lightweight aluminium slats are perfect for difficult-to-access areas such as back yards or annexed ground.

We provide step by step self-install instructions that any competent DIY person should be able to follow, but if you'd rather get someone else to install it, we have a list of preferred installers throughout NZ. Call us on 0800 235 2473 and we will put you in touch with an installer in your area.

## WARRANTY



Be assured that with very little maintenance your fence will give you great privacy and security for many years to come. Only the finest raw materials have been used in the construction of your fence. The suppliers of these raw materials state that they have a design life well in excess of 20 years. With this assurance we offer you a replacement warranty for any component of your new fencing if it fails within 10 years from date of purchase.

# OBLIQUE FENCING

Post dimensions: 60mm (deep) x 60mm (face) 2 mm SHS

Oblique slat thickness: 25mm

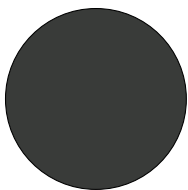
Fence heights: 1200mm , 1500mm, 1800mm

Post centres: 1860mm, 2410mm

BelAire oblique fencing is fully customisable. If there's a particular size or configuration you require, call us on 0800 235 2473 and we'll custom-make a fence just for you.



## POWDER-COAT COLOUR



Flax

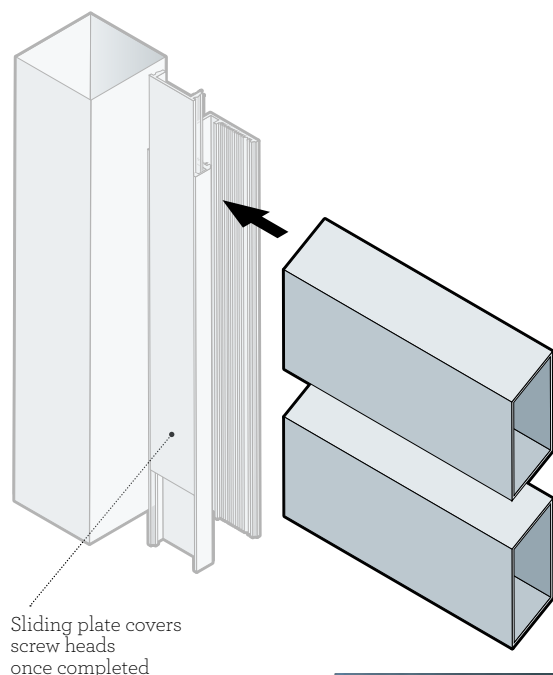
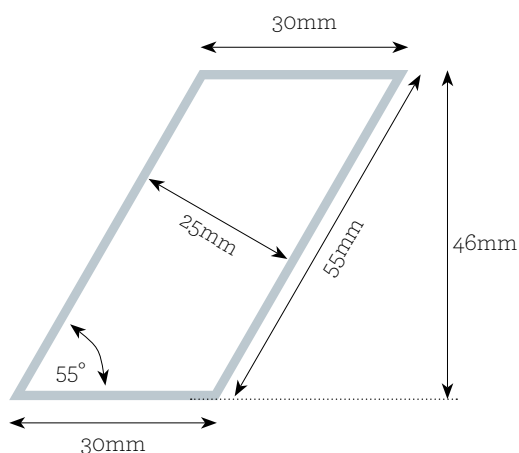
BelAire oblique fencing posts, channels and slats are supplied in powdercoated Dulux Flaxpod. They can also be supplied in any Dulux powdercoat colour of your choice at additional cost. The Dulux powdercoating chart can be found at: [www.duluxpowdercoatings.co.nz](http://www.duluxpowdercoatings.co.nz)

You can choose the same colour for your posts, channels and oblique slats, or any combination you wish!

## OBLIQUE SLATS

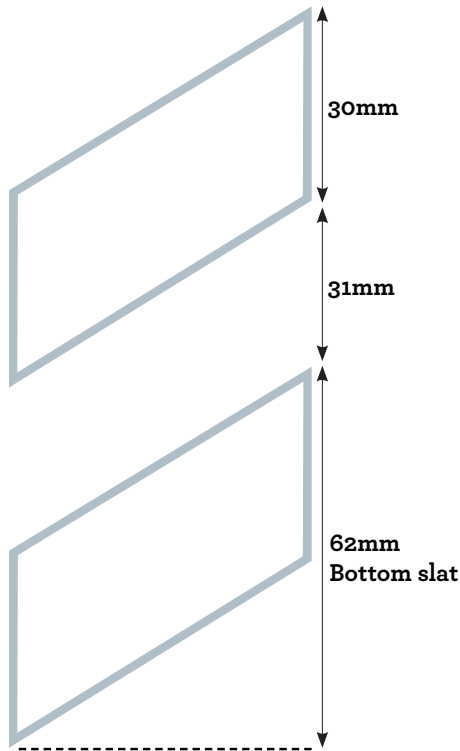
### Oblique slat construction:

1.2mm powder-coated aluminium.



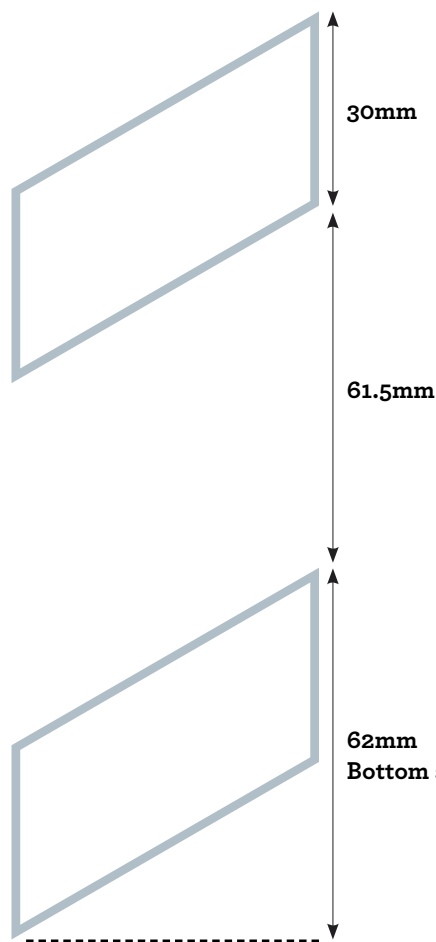
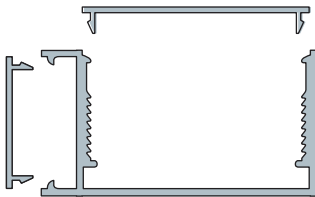
Sliding plate covers screw heads once completed

# OBLIQUE SPACING



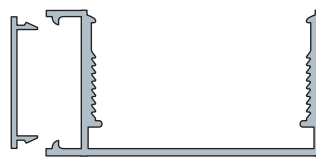
Oblique Channel & Double Cover per metre - Flax Colour  
Used in face fix option

Code: **BOBCHPM-D**

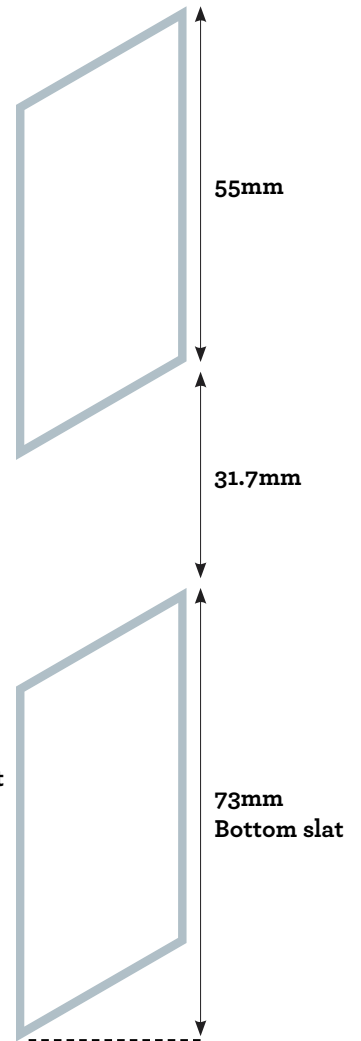


Oblique Channel & Single Cover per metre - Flax Colour

Code: **BOBCHPM-S**

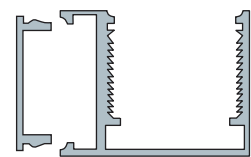


Channel Size:  
60mm Wide x 32mm High



Slat Channel & Cover Metre Rate - Flax Colour

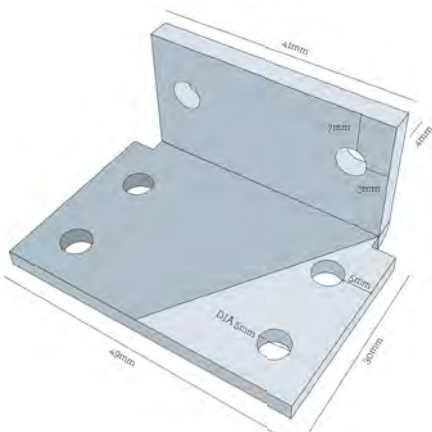
Code: **BSLCHPM-FX**



Channel Size:  
39mm Wide x 32mm High

Oblique Bracket for Vertical mounted

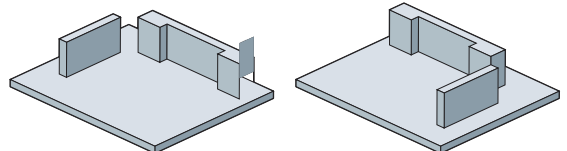
Code: **BOBEB**



Oblique Black Channel Plastic End Cap 60x30 Left and Right

Code: **BOBCECL**

Code: **BOBCECR**



Oblique Black Slat Plastic End Caps Left and Right

Codes: **BOBSLECL BOBSLECR**

Black top and bottom caps are available to complete your face fixed fencing.

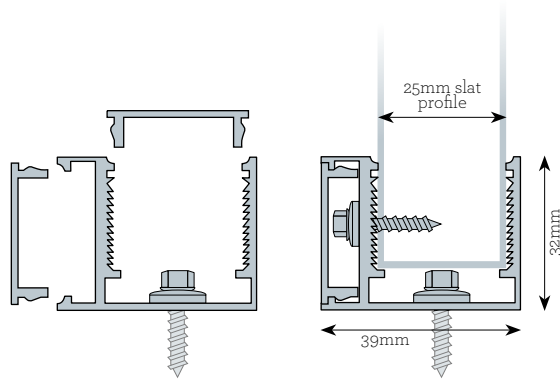


Oblique codes

1165mm length: **BOBSL1165**  
1500mm length: **BOBSL15**  
1800mm length: **BOBSL18**  
2300mm length: **BOBSL23**

# OBLIQUE FENCING CONFIGURATIONS

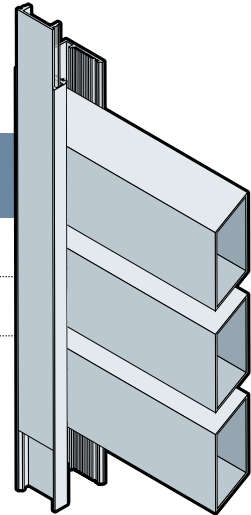
## CHANNEL FIX / 25mm PROFILE



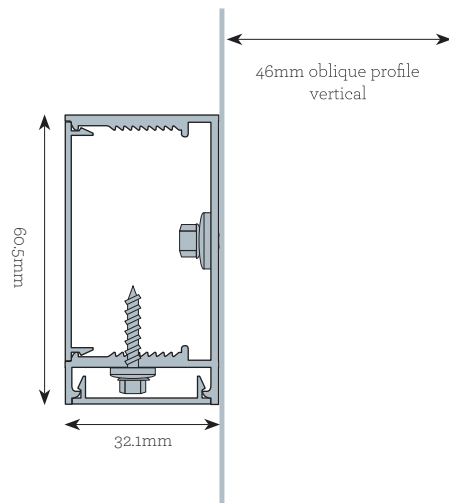
### HORIZONTAL SLATS

55mm face + 31.7mm gap between slats (Allow 73mm for bottom slat)

BOP1224 H25	Height: 1200mm	Width: 2350mm	Slats: 14 @ 2330mm long
BOP1524 H25	Height: 1460mm	Width: 2350mm	Slats: 17 @ 2330mm long
BOP1824 H25	Height: 1720mm	Width: 2350mm	Slats: 20 @ 2330mm long



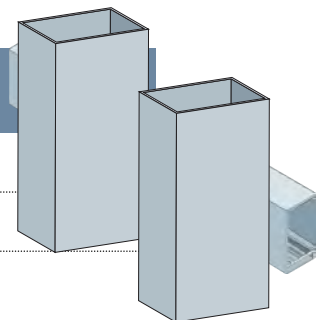
## VERTICAL FACE FIX



### VERTICAL SLATS - ANGLE MOUNTED

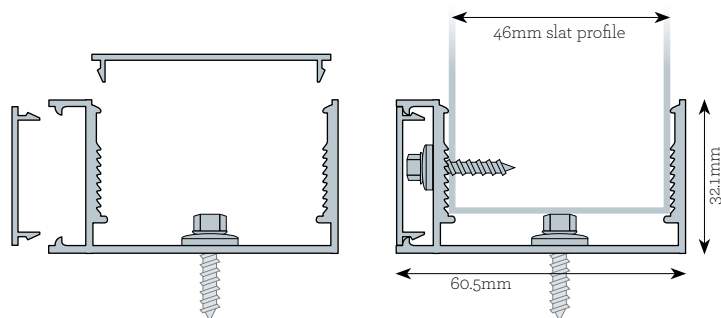
30mm face + 61.5mm gap between slats

BOP1218 V46 FF	Height: 1165mm	Width: 1800mm	Slats: 20 @ 1165mm long
BOP1518 V46 FF	Height: 1500mm	Width: 1800mm	Slats: 20 @ 1500mm long
BOP1818 V46 FF	Height: 1800mm	Width: 1800mm	Slats: 20 @ 1800mm long



# OBLIQUE FENCING CONFIGURATIONS

## CHANNEL FIX / 46mm PROFILE



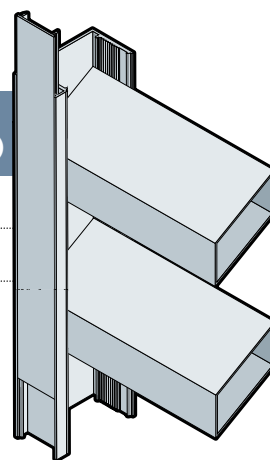
### HORIZONTAL SLATS

30mm face + 61.5mm gap between slats (Allow 62mm for bottom slat)

BOP1224 H46 Height: 1160mm Width: 2350mm Slats: 13 @ 2330mm long

BOP1524 H46 Height: 1526mm Width: 2350mm Slats: 17 @ 2330mm long

BOP1824 H46 Height: 1800mm Width: 2350mm Slats: 20 @ 2330mm long



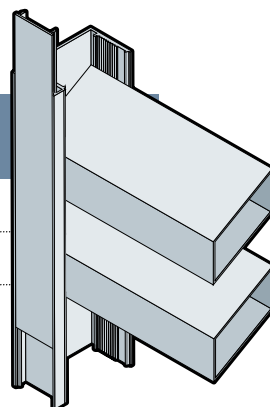
### HORIZONTAL SLATS - FULL PRIVACY

30mm face + 31mm gap between slats (Allow 62mm for bottom slat)

BOP1224 H46 PVT Height: 1160mm Width: 2350mm Slats: 19 @ 2330mm long

BOP1524 H46 PVT Height: 1526mm Width: 2350mm Slats: 25 @ 2330mm long

BOP1824 H46 PVT Height: 1831mm Width: 2350mm Slats: 30 @ 2330mm long



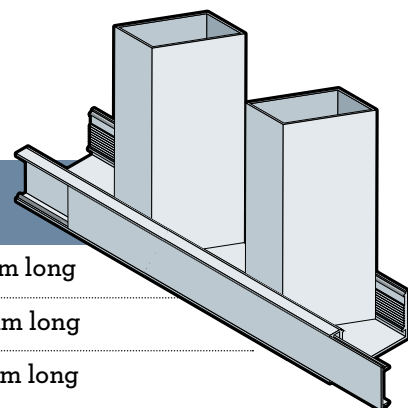
### VERTICAL SLATS

30mm face + 61.5mm gap between slats

BOP1218 V46 Height: 1185mm Width: 1800mm Slats: 20 @ 1165mm long

BOP1518 V46 Height: 1500mm Width: 1800mm Slats: 20 @ 1480mm long

BOP1818 V46 Height: 1800mm Width: 1800mm Slats: 20 @ 1780mm long





BelAire Oblique Fencing **viewed from the road or driveway**



BelAire Oblique Fencing **viewed from your house or garden**



For maximum versatility, slats can face in different directions within one panel

OBLIQUE FENCING





# Sardona on Swayne

Sardona on Swayne epitomizes urban living with its innovative high-density design. Developed by Progressive Property, this cutting-edge project showcases the integration of vertical slat fencing, offering privacy without compromising aesthetics. These sleek fences not only delineate spaces but also enhance the modern architectural appeal. By prioritizing both functionality and style, Sardona on Swayne sets a new standard for contemporary living environments. Experience the perfect blend of sophistication and practicality in this dynamic urban oasis.

Project Specifications:

**Vertical Slats Fencing**

1200, 1500 and 1800mm high

**96 Panels**

**Colour**

Flax (matches Dulux Flaxpod)



# Dominion Construction

Being situated in the centre of New Zealand's busiest CBD, down Princess Street, the architects wanted a product that was robust, strong and looked great. The perfect solution was to supply and install the BelAire slat fencing system which enhanced the project and caused little disturbance to the site.

Project Specifications:

**Aluminium Slats**

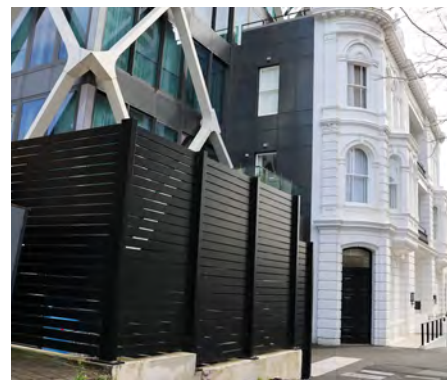
2400mm high

**Flush Capping, Slatted Bays and Solid Bay**

Slat panels with 15mm gaps, between engineered 150 x 100mm flange plated posts, 54m long including 3 Gates

**Colour**

Ebony (Black)



# Matarangi Slat Fencing

With such a modern stylish looking house, the aluminium slats were a perfect complimentary look. The matching gates, along with their full automation functionality allow the customer to easily access his boat, house and garden exactly as requested.

Project Specifications:

## Horizontal Slats Fencing

Ranging between 1900mm to 1600mm high

## Flush Capping and Slatted Bays

85 x 25mm Aluminium Slats between  
90 x 90mm Aluminium Flange posts fixed  
to concrete nib/Timber decking

## Colour

Black

**“When we approached BelAire Designer Fencing, we were after a fencing solution that would look good and enhance the overall look of our house and the property. The fencing system also needed to be low maintenance, durable and cost effective. BelAire fit perfectly with all our criteria. BelAire overall advice, service and project communications were excellent. Considering the customisation required for the tricky site, the installation of the fence and gates went smoothly. Thank you BelAire”**

Tadek G





**BELAIRE  
SLAT FENCING  
IS F9 COMPLIANT FOR  
RESIDENTIAL SWIMMING  
POOLS WHEN:**

Fence is at least 1.8m high  
Fence composed of horizontal slats

Gaps between slats are  
less than 10mm

Gap under fence is  
less than 100mm