



Gates



Scan to view all
BelAire fence drawings

BelAire[®]
DESIGNER FENCING

...make it your own!



HORIZONTAL SLAT GATES

Construction:

Powdercoated aluminium.

Slat dimensions:

- Standard 85mm (height) x 25mm (width)
- Custom 60mm (height) x 25mm (width)

Also available in solid slat option.

Height: 1200mm - 2100mm

Pedestrian Gate Width: 800mm - 2500mm

Driveway Swing Gate Width: 800mm - 2500mm

Driveway Sliding Gate Width: 2500mm - 6000mm

Colour: Client's choice of any Dulux powdercoat colour

Standard Colour Options:



Titania

Gull Grey

Slate Grey

Grey Friars

Ironsand

Flax

Ebony

OPEN SLAT



SOLID SLAT



VERTICAL SLAT GATES

Construction:

Powdercoated aluminium.

Slat dimensions:

- Standard 85mm (height) x 25mm (width)
- Custom 60mm (height) x 25mm (width)

Also available with solid slats.

Height: 1200mm - 2100mm

Pedestrian Gate Width: 800mm - 2500mm

Driveway Swing Gate Width: 800mm - 2500mm

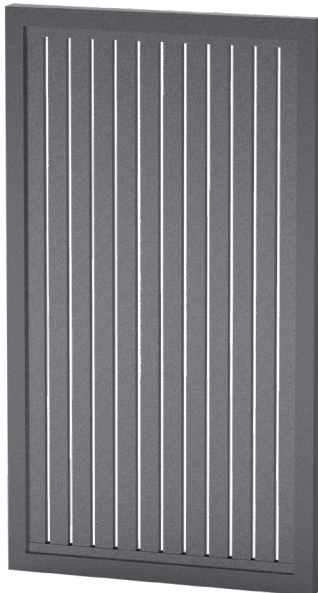
Driveway Sliding Gate Width: 2500mm - 6000mm

Colour: Client's choice of any Dulux powdercoat colour

Standard Colour Options:



OPEN SLAT



SOLID SLAT

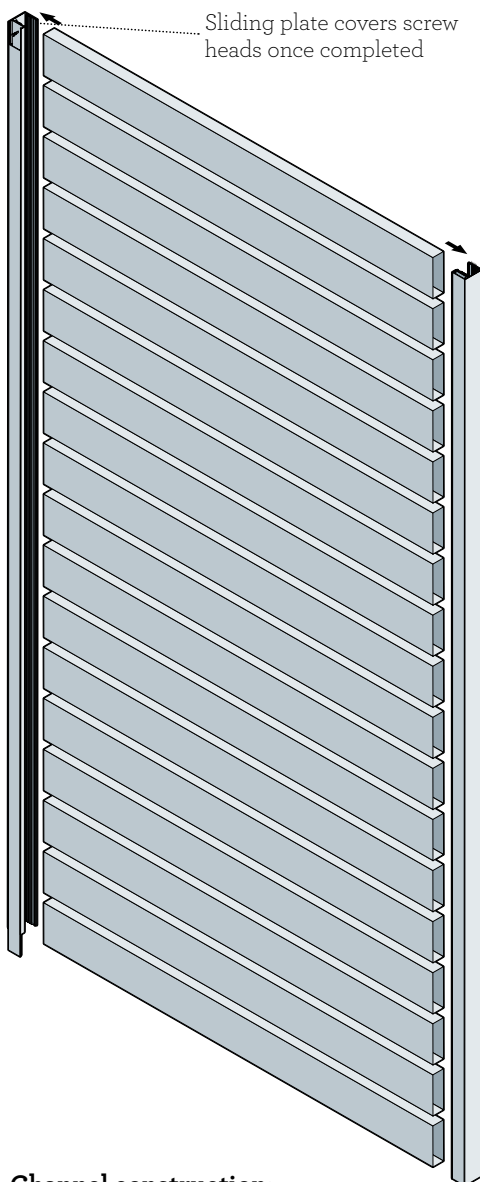


HORIZONTAL ECO SLAT GATE KIT

Introducing our new, economical, cut-to-size, kitset slat gate

Supplied in kit form as: Two 1185mm channels and 12 x 1000mm wide slats (85mm x 25mm), or
Two 1485mm channels and 15 x 1000mm wide slats (85mm x 25mm), or
Two 1785mm channels and 18 x 1000mm wide slats (85mm x 25mm)

Gates also include 2 x stainless steel butt hinges, and a Viper Gravity latch (lockable from both sides)
Simply assemble your gate - the sliding plate covers will cover the screws to provide a professional finish.



Sliding plate covers screw heads once completed

Height: 1200mm, 1500mm and 1800mm

Pedestrian Gate Width: Up to 1000mm

Powder-coat colours:



Titania



Gull Grey



Slate Grey



Grey Friars



Ironsand



Flax



Ebony



Above:

Double eco slat gate kits

Slat construction:

85mm x 25mm

1.6mm powder-coated aluminium

It is important to note that our gates with 25mm wide slats are superior in strength to some inferior gates with 16mm wide slats.

Channel construction:

Powder-coated aluminium.

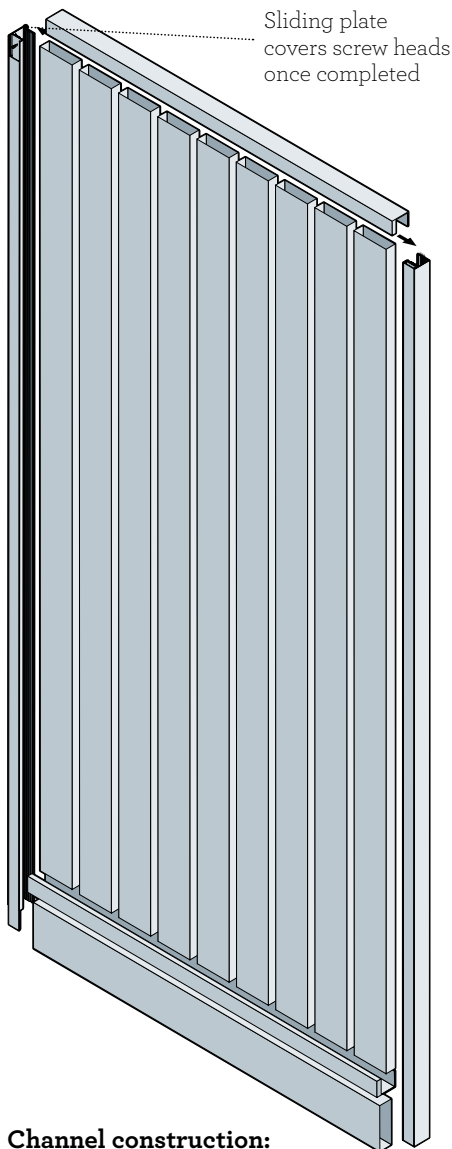
Channel: 39mm x 32mm
(includes sliding screw cover plate)

VERTICAL ECO SLAT GATE KIT

Introducing our new, economical, cut-to-size, kitset slat gate

Supplied in kit form as: Two 1200mm and two 936mm channels and 9 x 1095mm and one 985mm Slat, or
Two 1500mm and two 936mm channels and 9 x 1395mm and one 985mm Slat, or
Two 1800mm and two 936mm channels and 9 x 1695mm and one 985mm Slat

Gates also include 2 x stainless steel butt hinges, and a Viper Gravity latch (lockable from both sides)
Simply assemble your gate - the sliding plate covers will cover the screws to provide a professional finish.



Channel construction:
Powder-coated aluminium.

Channel: 39mm x 32mm
(includes sliding screw cover plate)

Height: 1200mm, 1500mm and 1800mm

Pedestrian Gate Width: Up to 1000mm

Powder-coat colours:



Titania



Gull Grey



Slate Grey



Grey Friars



Ironsand



Flax



Ebony



Slat construction:

85mm x 25mm

1.6mm powder-coated aluminium

It is important to note that our gates with 25mm wide slats are superior in strength to some inferior gates with 16mm wide slats.

LOUVRE GATES

Construction:

Powdercoated aluminium.

Louvre dimensions:

- 135mm (height) x 30mm (width)

Height: 1200mm - 2100mm

Pedestrian Gate Width: 800mm - 2500mm

Driveway Swing Gate Width: 800mm - 2500mm

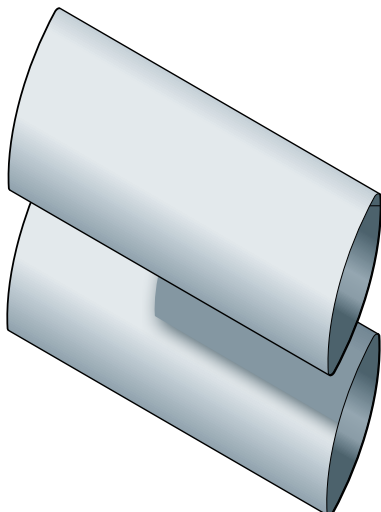
Driveway Sliding Gate Width: 2500mm - 6000mm

Colour: Client's choice of any Dulux powdercoat colour



All gates come with a 60mm x 60mm aluminium frame as standard unless stated otherwise.

For larger sliding gates we use a 100mm high x 60mm width bottom rail for strength and a 60mm x 60mm surround frame.



SOLID GATES

Construction:

0.55mm preprimed steel outer skins.
13mm expanded polystyrene core.
Welded aluminium frame.

Panel dimensions:

- Up to 1200mm (width)
x 2100mm (height)

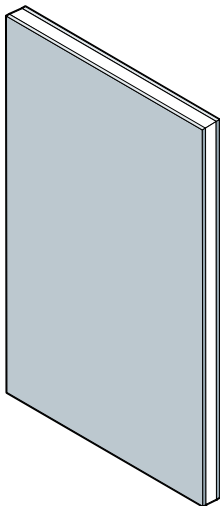
Height: 1200mm - 2100mm

Pedestrian Gate Width: 800mm - 2500mm

Driveway Swing Gate Width: 800mm - 2500mm

Driveway Sliding Gate Width: 2500mm - 6000mm

Colour: Ready for priming and painting



AURORA GATES

Construction:

Powdercoated aluminium.

Slat dimensions:

- Standard 60mm (height) x 25mm (width)

Height: 1200mm - 2100mm

Pedestrian Gate Width: 800mm - 2500mm

Driveway Swing Gate Width: 800mm - 2500mm

Driveway Sliding Gate Width: 2500mm - 6000mm

Colour: Standard in Ebony, also available in custom colours

AURORA GATE DESIGNS

P72 OR L79



L63



P60 OR L78



P49 OR L47



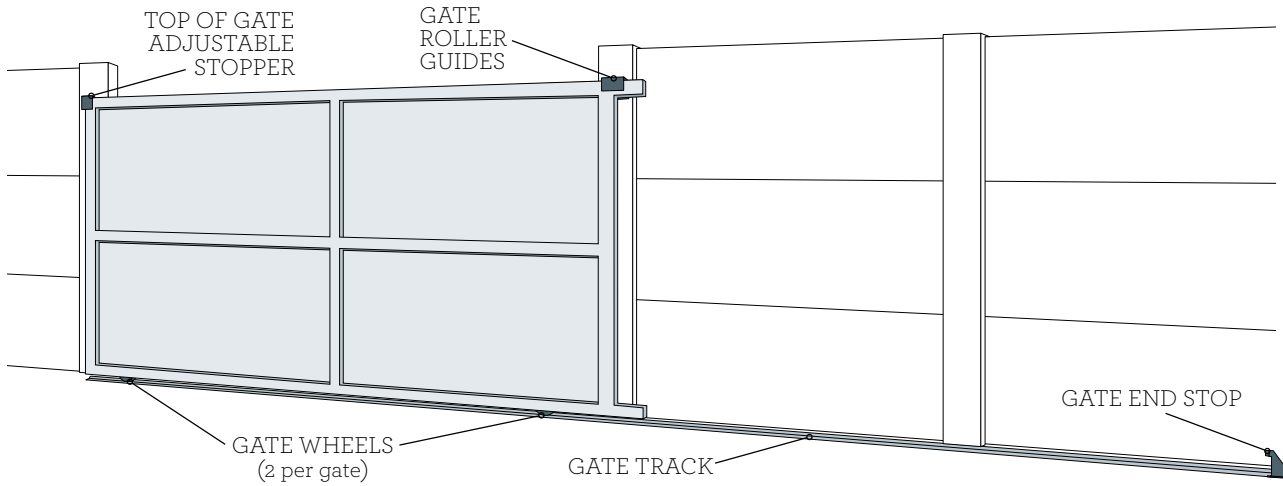
L63S



P60S OR L78S



SLIDING GATES



GATE ROLLER GUIDE

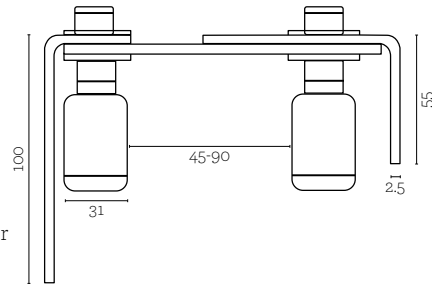
Heavy Duty 2.4mm Steel



Order Code: BSG-R

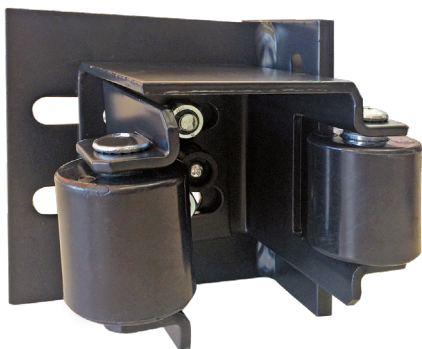
SPECIFICATION

- Heavy duty top gate support roller
- Powdercoated black



TOP OF GATE ADJUSTABLE STOPPER

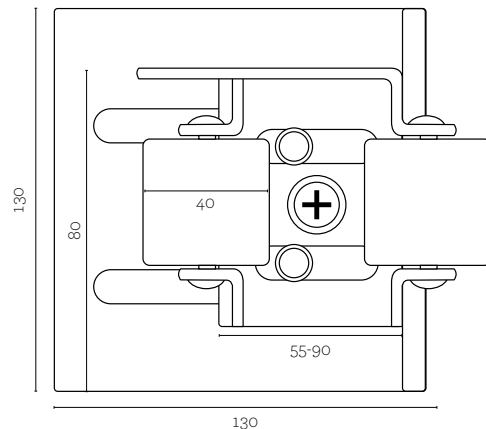
Heavy Duty 2.4mm/8mm Steel



Order Code: BSG-TS

SPECIFICATION

- Fully adjustable end catch
- Heavy duty
- Powdercoated black



GATE TRACK

Heavy Duty 3mm Galvanised Steel

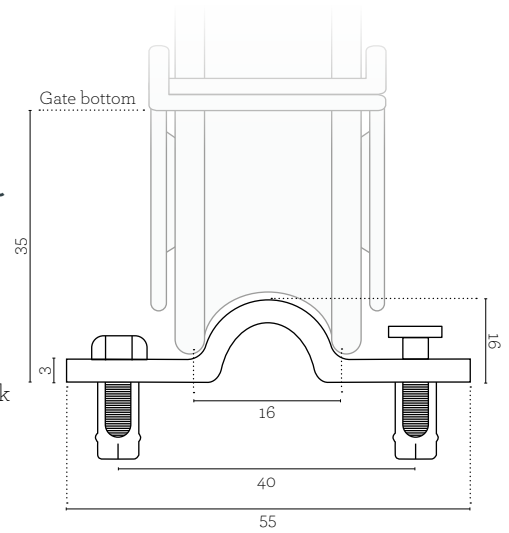


Order Code: BSGT

SPECIFICATION

- Heavy duty galvanised gate track
- Fittings excluded

Supplied in 3m long lengths



GATE WHEELS

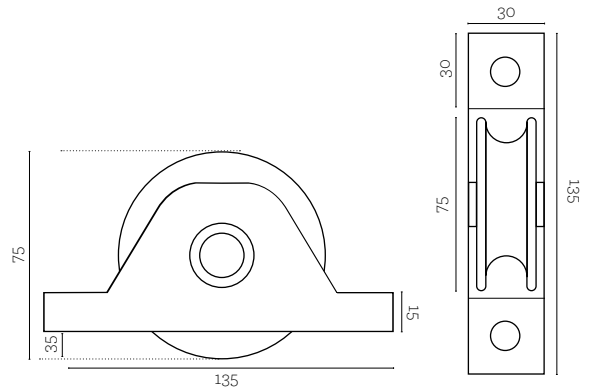
Heavy Duty Steel



Order Code: BSG-W

SPECIFICATION

- Heavy duty up to 300kg
- Powercoated black



GATE END STOP

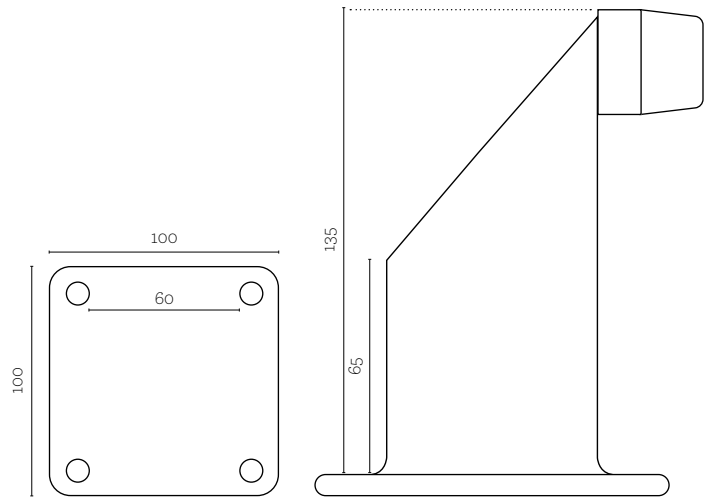
Heavy Duty 8mm Steel



Order Code: BSG-ES

SPECIFICATION

- Rigid bolt down
- Powercoated black



SLIDING GATE GUIDE

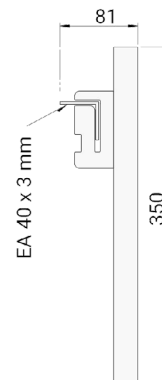
Designed for the Aurora Sliding Gates



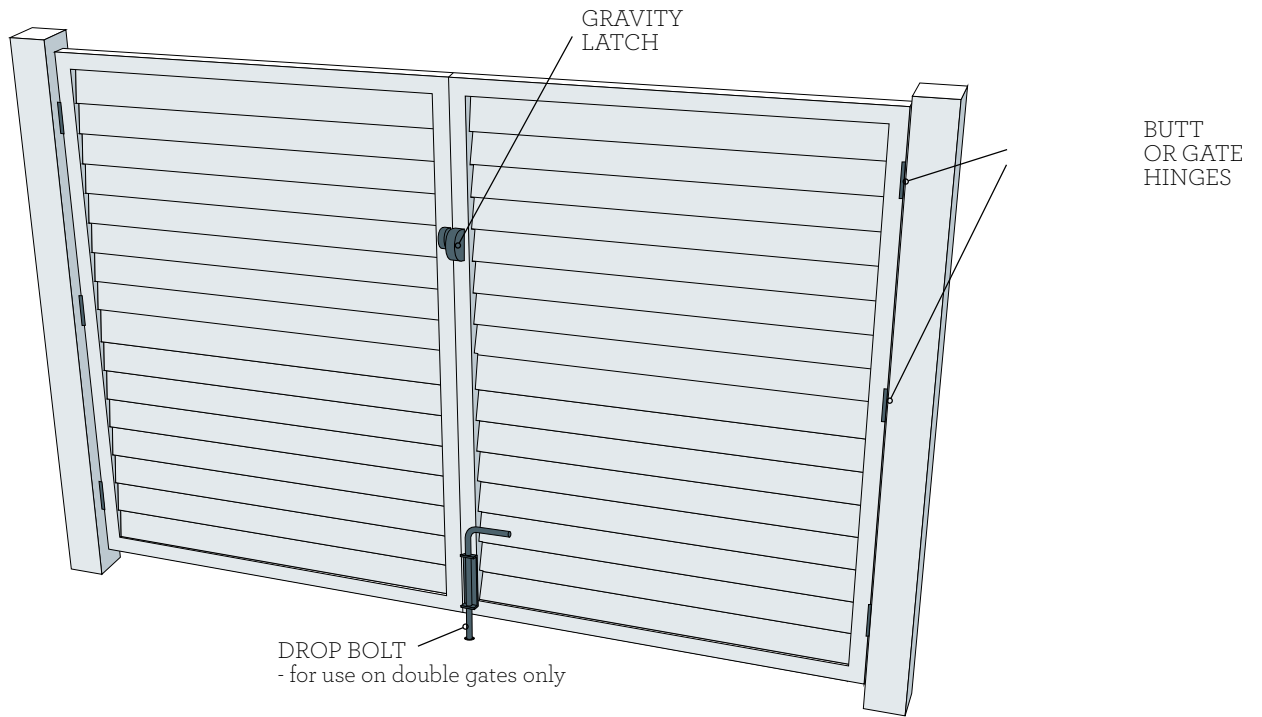
Order Code: TRUGLIDE-350

SPECIFICATION

- Good for sloping driveways
- Adjustable heights



HINGED GATES



GRAVITY LATCH

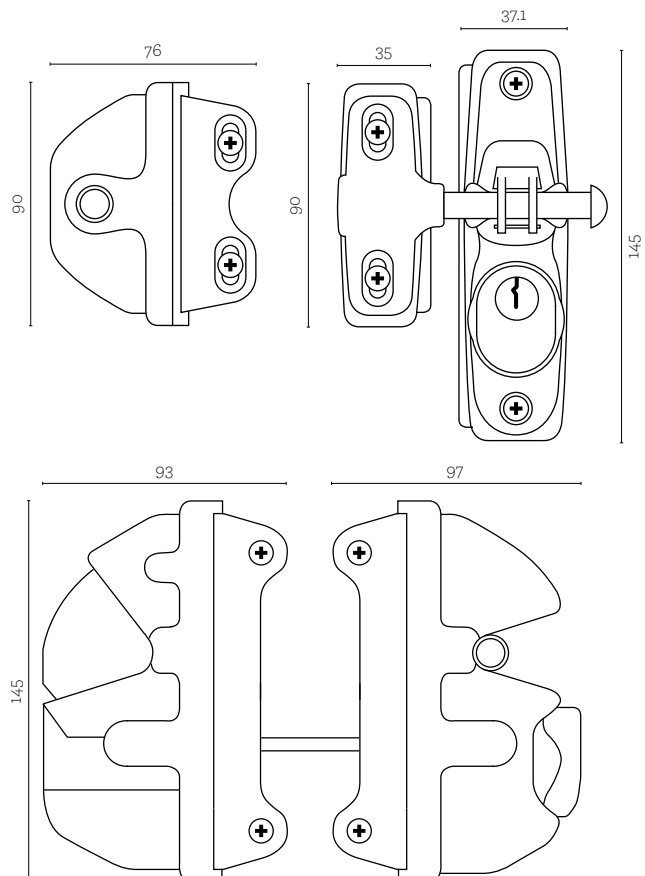
Polymer and Stainless Steel



Order Code: SLV-Viper-X2

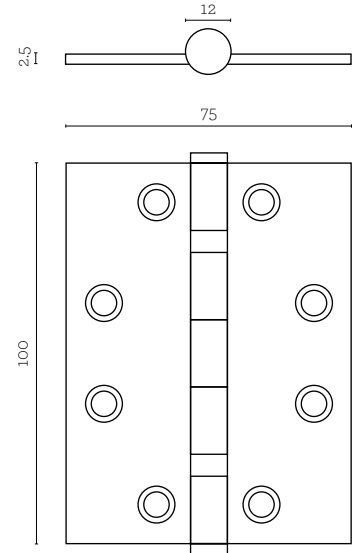
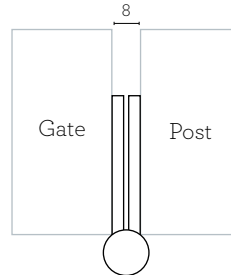
SPECIFICATION

- High grade polymer and stainless steel
- Resists UV and rust degradation
- Keyed alike or individually keyed



STAINLESS STEEL BUTT HINGE

304 Grade Satin Finish Stainless Steel



Order Code:
Stainless: BELBUTT

Black: BELBUTT-B

SPECIFICATION

- 304 grade stainless steel
- Satin & Black finish
- Fixed pin
- Square edge
- Stainless steel screws supplied
- Size: 100mm x 75mm 2.5mm
- For gates from 900 - 1500mm wide
- Rivets provided

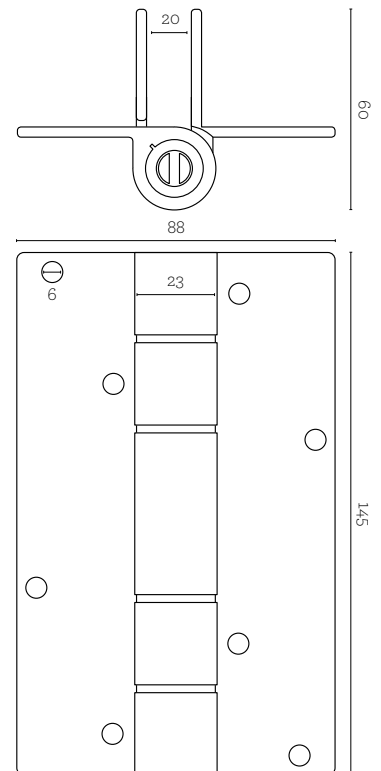
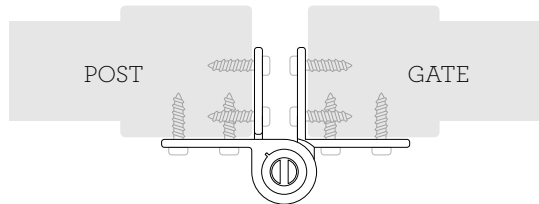
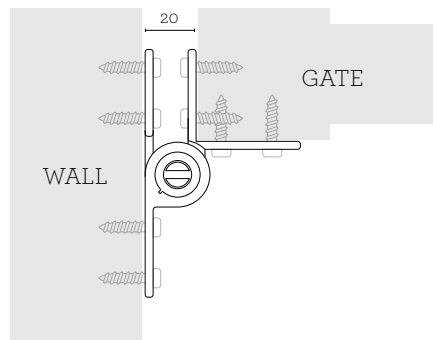
When using **STAINLESS STEEL BUTT HINGES**, leave a gap between the posts that is:

- 25mm wider than the gate (for a single gate) or
- 35mm wider than the gates (for double gates).

This is our standard hinge used unless otherwise specified

HEAVY-DUTY BLACK HINGE

3mm Aluminium Wall or Post Mounted



Order Code: BELKFH

SPECIFICATION

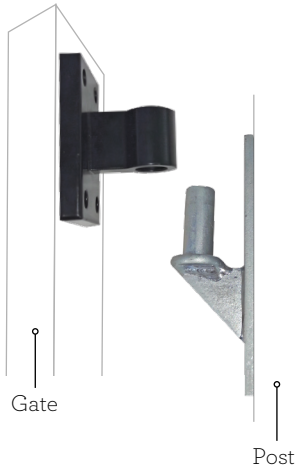
- 3mm aluminium
- Black satin finish
- Adjustable tension
- Size: 145mm x 88mm 55mm
- For gates up to 1500mm wide

When using **HEAVY-DUTY BLACK HINGES**, leave a gap between the posts that is:

- 35mm wider than the gate (for a single gate) or
- 55mm wider than the gates (for double gates).

HINGED GATES

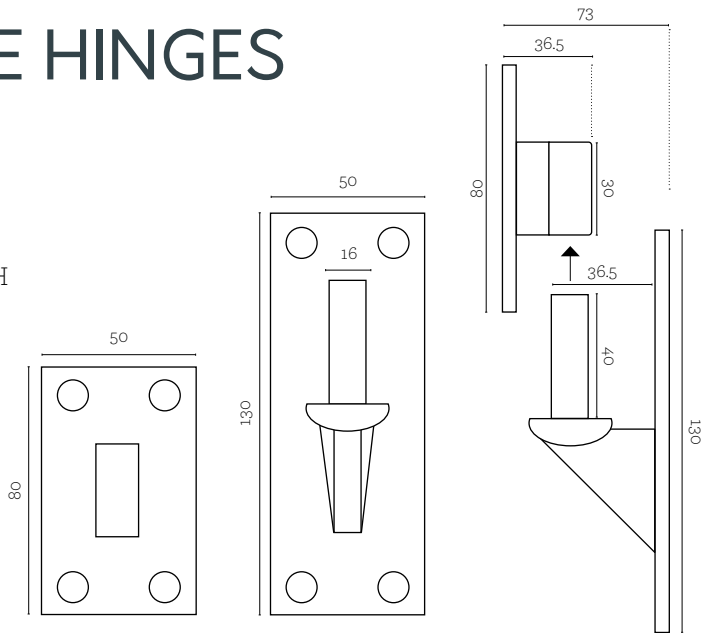
HEAVY DUTY GATE HINGES 8mm Steel



Order Code: BELHDGH

SPECIFICATION

- Screw on fittings
- Powercoated to same as gate colour
- For gates 1500 - 2500mm wide



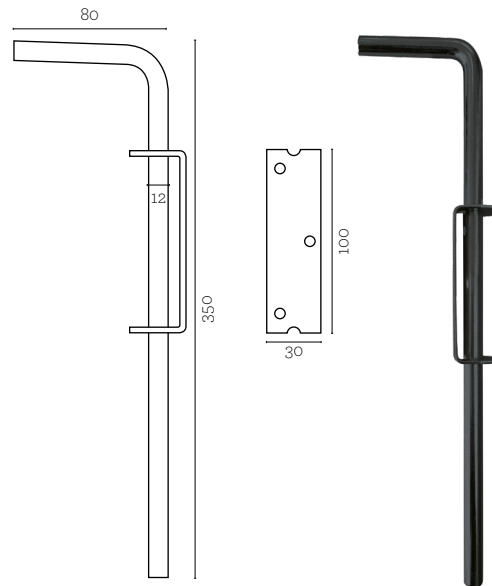
DROP BOLT 12mm Diameter Steel

Order Code:

Stainless: BELDB

SPECIFICATION

- Screw on fittings



Order Code:
BELDB

POOL HINGE & LATCH SET

SET INCLUDES 2 HINGES & LATCH: Order Code: PGH

MAGNETIC SAFETY LATCH

Polymer and stainless steel

SPECIFICATION

- Visual indicator shows locked/unlocked status
- New, higher-security lock cylinder
- Vertically and horizontally adjustable
- Indicator marks show if adjustment is required
- Meets all Australian and NZ Standards for pool gates
- Minimum post size: 25mm+
- Ideal gate gap: 19mm
- Fixing method: screw-on

