

# Frameless Glass Fencing & Balustrade

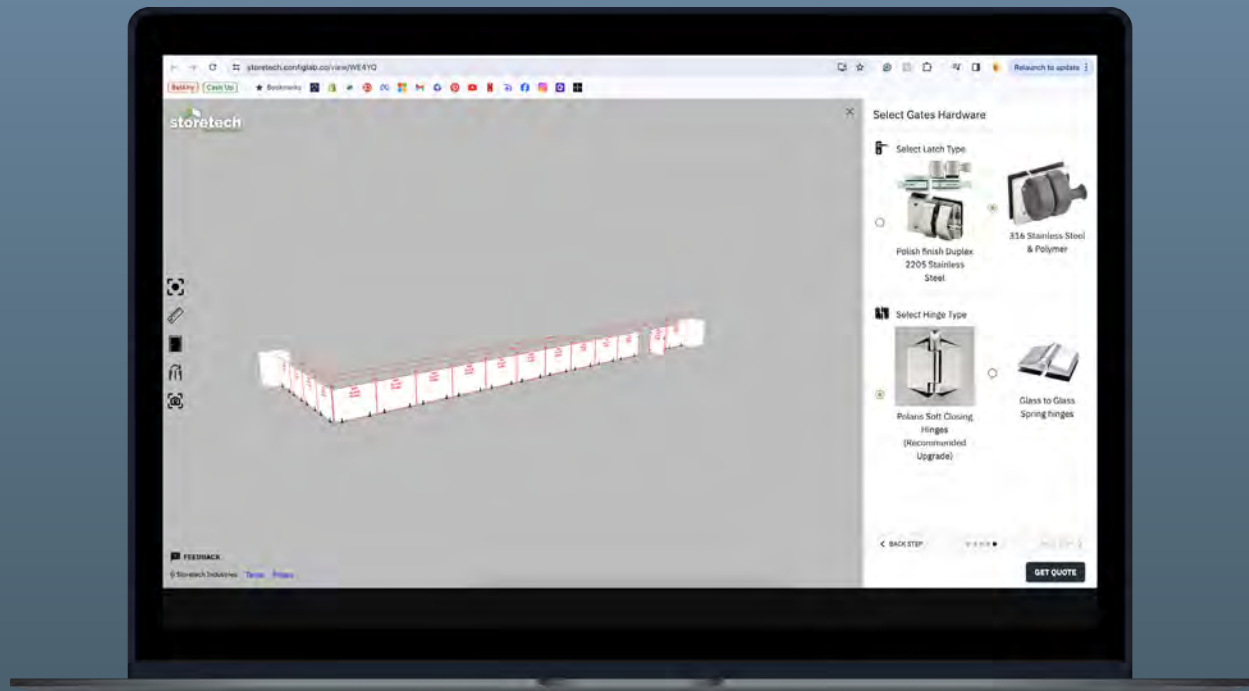


Scan to view all  
Belaire fence drawings

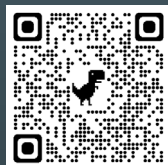
**BelAire**<sup>®</sup>  
DESIGNER FENCING

*...make it your own!*

# Have you tried out our new 3D Glass Builder?



Now you can build your very own glass fencing right in front of your eyes, to the exact specification you need.



Scan the QR Code to start building today.



BelAire®  
DESIGNER FENCING

*...make it your own!*

AS/NZS2208  
Grade A TF  
ID 7777

# Frameless Glass Fencing & Balustrade

## CLEAR

BelAire frameless glass pool fencing and balustrade is invisibly superior – it's crystal clear without the green tint you get with inferior brands. Enjoy lounging by the pool or on the deck with nothing to interrupt your view. Relax behind a strong, effective wind barrier and take in all-day sunshine as BelAire glass casts no shadows!

## SAFE

With uninterrupted views, you'll always be able to keep your eye on the kids as they play in the pool. With 12mm thick toughened safety glass and polished bevel edges, you'll know they'll also be safe and sound outside the fence. Our gates use a self-closing hinge with a side pull latch, so you'll know they'll never be left open by mistake.

## VERSATILE

BelAire can be installed on a variety of surfaces, including tiled areas, pavers, timber decks, concrete and across landscaped areas – making it a truly versatile option for pools, water features, patios, decking, and natural environments. The modern architectural look can also be customised from our selection of elegant, corrosion-resistant mini posts, latches and hinges to match your property.

## EASY

It's so simple to clean and maintain – with no frames to collect water and dust, with corrosion-resistant hardware throughout, it will remain sparkling with minimum effort.

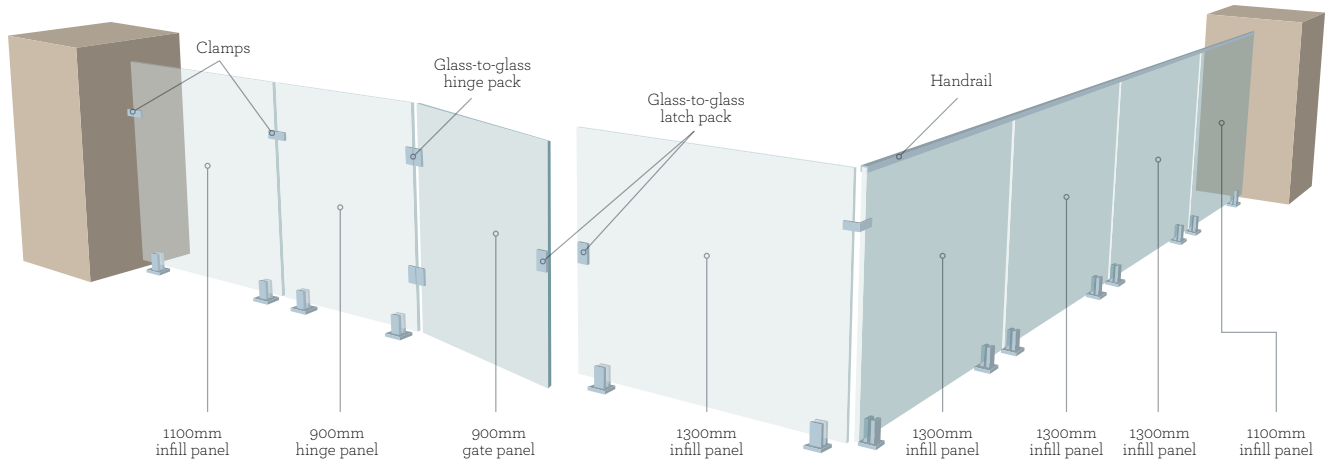
It's simple to install – most home owners would find the system quick and easy to install using basic tools that they would have in their shed. If you'd rather get someone else to install it, we have a list of preferred installers throughout New Zealand. Call us on 0800 235 2473 and we will put you in touch with an installer in your area.

## COMPLIANT

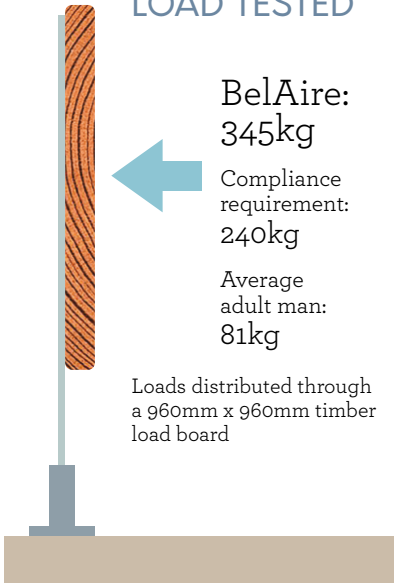
Our toughened safety glass that comes with the PAS Mark AS/NZS2208 marking on every panel and is F4 and F9 Building Code compliant. Should you require a PS1 (or an Extra High Wind Zone PS1) to submit with your pool or building permit request, please email us at [info@belairefencing.co.nz](mailto:info@belairefencing.co.nz)

You will require a handrail on your balustrade or pool fencing if there is a drop of more than 1m on one side. BelAire slimline handrails are manufactured from polished stainless steel to create a sophisticated finish that does not diminish the appearance of your glass fencing. They are also very strong and fully compliant to NZS4223:2016.

# EXAMPLE CONFIGURATION



## INDEPENDENTLY LOAD TESTED



## GENERAL FEATURES

- 12mm toughened safety glass
- New Zealand standards compliant
- 10 year warranty
- DIY instructions included

### Compliant with:

**F4 and F9** Building Code compliant.

### AS/NZS2208: 1996

New Zealand standards for safety glass manufacturing

### NZS 8500

Safety barriers and fences around swimming pools, spas and hot tubs

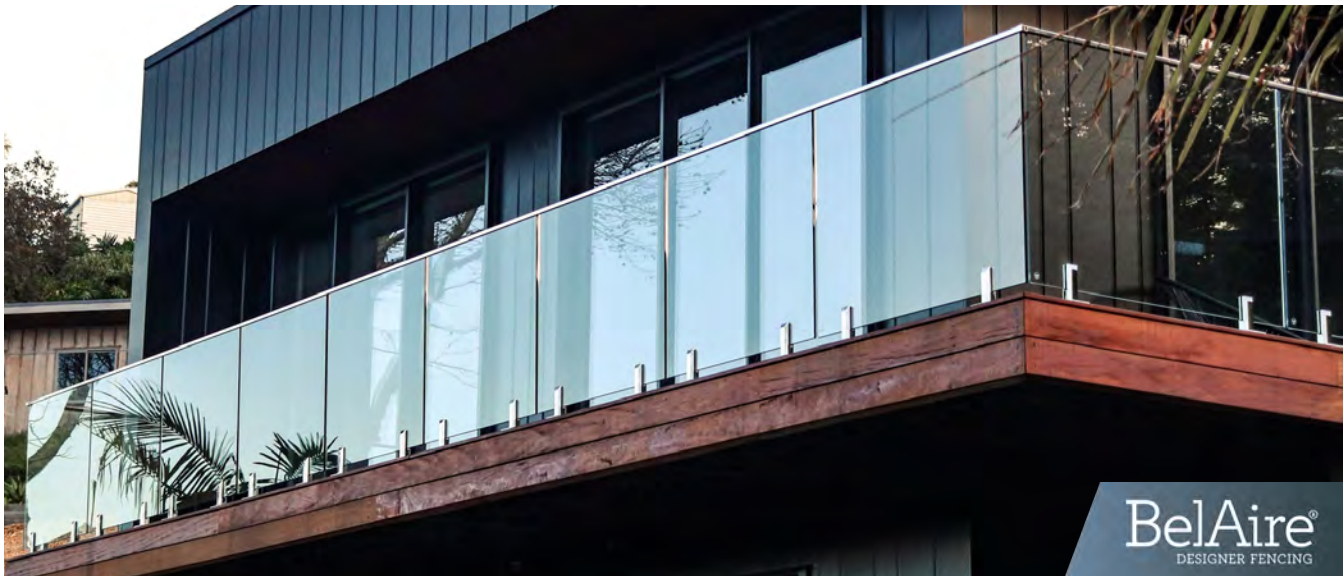
### NZS 4223.3:2016

Approved Balustrade Handrail

## SOFT, NOT SLAMMED

Even though BelAire gates are made from toughened safety glass, a slammed glass gate will always put you on edge. Relax. Upgrade to glass-to-glass or glass-to wall **Polaris soft-closing hinges**, and you'll never hear the bang of a slammed gate again!

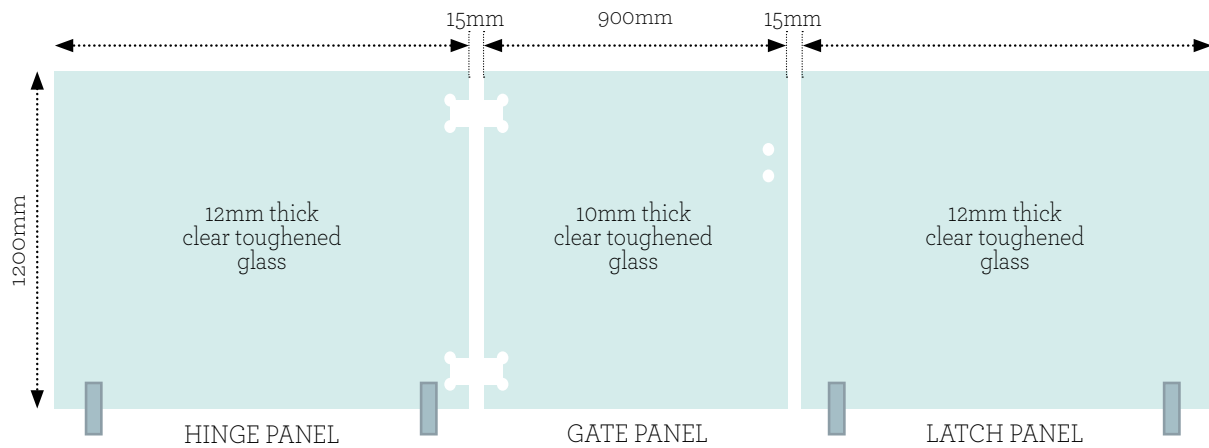
**Choose to upgrade to Polaris soft-closing hinges when you order online, or just talk with one of our friendly sales representatives.**



# FRAMELESS GATE LAYOUTS

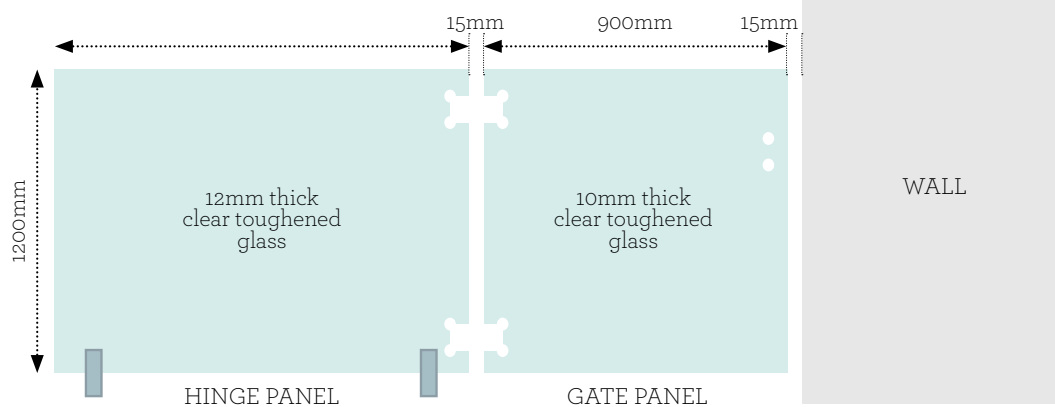
## GLASS-TO-GLASS HINGES & GLASS-TO-GLASS LATCH

- Hinge panel available widths: 900/1100/1300/1450/1600mm
- Use a friction latch. Any size panel can be used as a latch panel



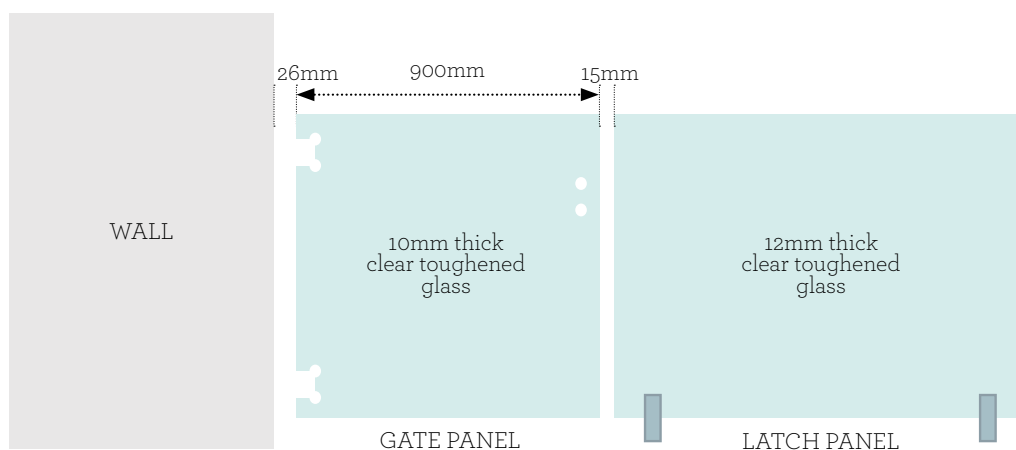
## GLASS-TO-GLASS HINGES & WALL/POST GATE LATCH

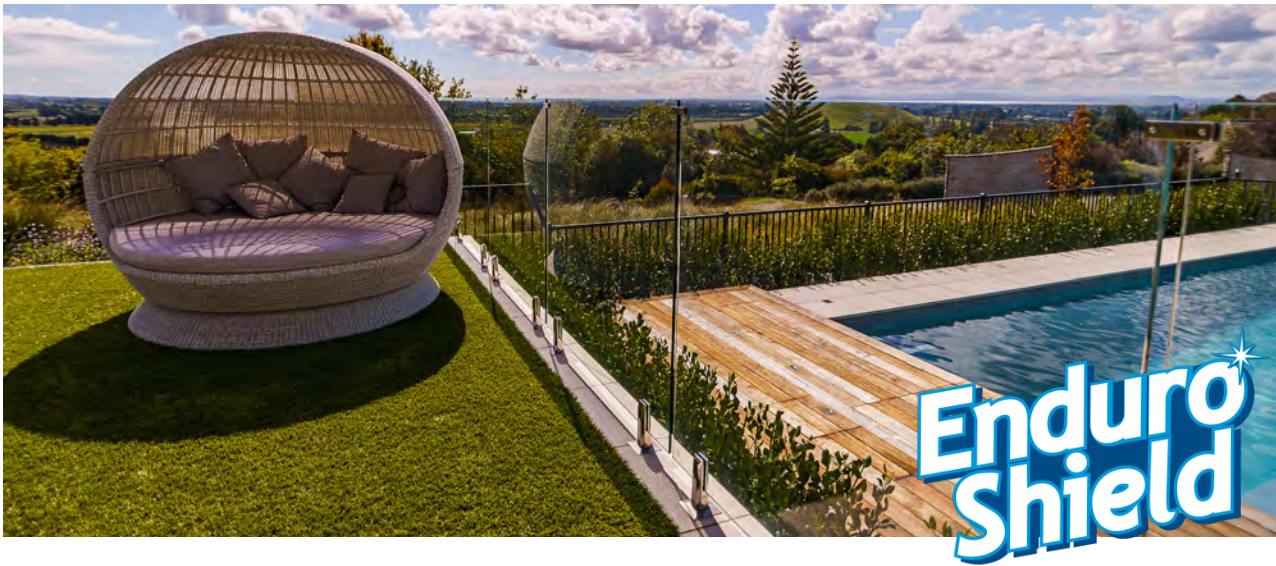
- Hinge panel available widths: 900/1100/1300/1450/1600mm



## WALL/SQUARE POST GLASS HINGES & GLASS-TO-GLASS LATCH

- Use a friction latch. Any size panel can be used as a latch panel





# The World's Leading Glass Treatment

## ULTIMATE PROTECTION

Optically clear, UV stable, chemical resistant, water and oil repellent.

## LOW SERVICING COSTS

EnduroShield keeps glass visibly clearer for longer and reduces time to clean the glass by 90%.

## HIGHLY DURABLE

Permanently bonds to the glass and comes with a true 10 year performance warranty\*

## SUITS ALL GLASS RANGES

From balustrading to pool fencing, high rise and domestic glazing, shower screens and insulated glass units, EnduroShield is the smart choice for glass.

### Silicone based coating

Competitor products fill in hills & valleys of the glass.



Glass Substrate

### EnduroShield Coating

EnduroShield follows hills & valleys of the glass.



Glass Substrate

Silicone based seals sit on top of the glass surface and can quickly wear off, leaving the surface unprotected. EnduroShield follows the hills and valleys of the glass, forming a strong, permanent\* bond that does not flake or peel.

## TESTING AND CERTIFICATION

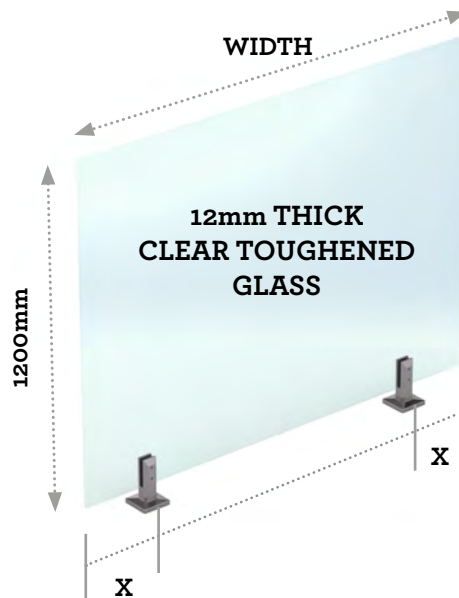
\*EnduroShield's performance has been independently tested by one of the leading global testing and certification houses, TÜV Rheinland in Germany for durability, easy-clean functionality, safety and quality. Testing was carried out to simulate a lifetime of 10 years on glass for both interior and exterior use, and EnduroShield passed all tests.



- Easy to clean
- Durability tested

\*Contact us for warranty info and terms and conditions.

# FRAMELESS GLASS FENCING PANELS



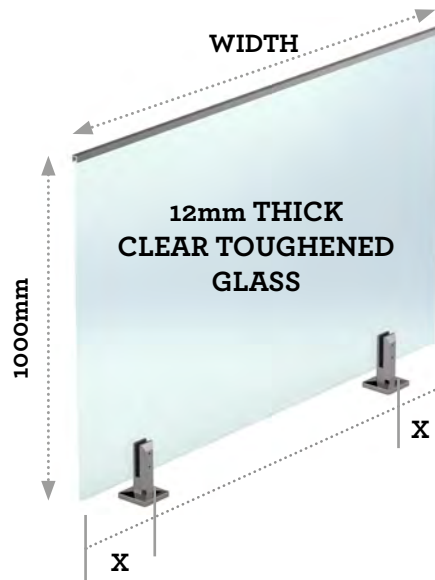
Order Code	Width	Height	Distance from Edge to Spigot (X)	Thickness	Sqm	Glass Weight KGS	Corner Radius
SCE0312PP	300mm	1200mm	75mm	12mm	0.36	11kg	2mm
SCE0412PP	400mm	1200mm	75mm	12mm	0.48	14kg	2mm
SCE0512PP	500mm	1200mm	100mm	12mm	0.60	18kg	2mm
SCE0612PP	600mm	1200mm	100mm	12mm	0.72	22kg	2mm
SCE0712PP	700mm	1200mm	100mm	12mm	0.84	25kg	2mm
SCE0812PP	800mm	1200mm	150mm	12mm	0.96	29kg	2mm
SCE08512PP	850mm	1200mm	150mm	12mm	1.02	30.6kg	2mm
SCE0912PP	900mm	1200mm	150mm	12mm	1.08	32kg	2mm
SCE09512PP	950mm	1200mm	150mm	12mm	1.14	34.2kg	2mm
SCE1012PP	1000mm	1200mm	150mm	12mm	1.20	36kg	2mm
SCE10512PP	1050mm	1200mm	150mm	12mm	1.26	37kg	2mm
SCE1112PP	1100mm	1200mm	150mm	12mm	1.32	38kg	2mm
SCE11512PP	1150mm	1200mm	150mm	12mm	1.38	41kg	2mm
SCE1212PP	1200mm	1200mm	150mm	12mm	1.44	43kg	2mm
SCE12512PP	1250mm	1200mm	200mm	12mm	1.50	45kg	2mm
SCE1312PP	1300mm	1200mm	200mm	12mm	1.56	47kg	2mm
SCE13512PP	1350mm	1200mm	200mm	12mm	1.62	49kg	2mm
SCE1412PP	1400mm	1200mm	250mm	12mm	1.68	50kg	2mm
SCE14512PP	1450mm	1200mm	250mm	12mm	1.74	53kg	2mm
SCE1512PP	1500mm	1200mm	250mm	12mm	1.80	54kg	2mm
SCE15512PP	1550mm	1200mm	250mm	12mm	1.86	56kg	2mm
SCE1612PP	1600mm	1200mm	250mm	12mm	1.92	58kg	2mm
*SCE12175PP	1200mm	1750mm	250mm	12mm	2.10	63kg	2mm

\* This panel is specifically for when a pool fence meets a boundary fence (PS1 available)





# FRAMELESS GLASS BALUSTRADE PANELS



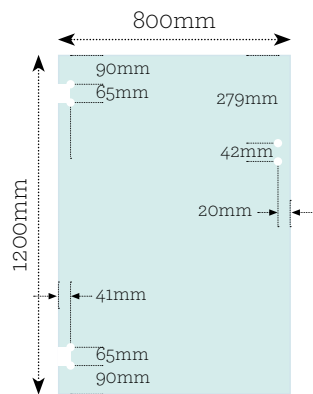
Order Code	Width	Height	Distance from Edge to Spigot (X)	Thickness	Sqm	Glass Weight KGS	Corner Radius
SCE0610BP	600mm	1000mm	100mm	12mm	0.60	18kg	2mm
SCE0710BP	700mm	1000mm	100mm	12mm	0.70	21kg	2mm
SCE0810BP	800mm	1000mm	150mm	12mm	0.80	24kg	2mm
SCE08510BP	850mm	1000mm	150mm	12mm	0.85	25.5kg	2mm
SCE0910BP	900mm	1000mm	150mm	12mm	0.90	27kg	2mm
SCE09510BP	950mm	1000mm	150mm	12mm	0.95	28.5kg	2mm
SCE1010BP	1000mm	1000mm	150mm	12mm	1.00	30kg	2mm
SCE10510BP	1050mm	1000mm	150mm	12mm	1.05	31.5kg	2mm
SCE1110BP	1100mm	1000mm	150mm	12mm	1.10	33kg	2mm
SCE11510BP	1150mm	1000mm	150mm	12mm	1.15	34.5kg	2mm
SCE1210BP	1200mm	1000mm	150mm	12mm	1.2	36kg	2mm
SCE12510BP	1250mm	1000mm	200mm	12mm	1.25	37.5kg	2mm
SCE1310BP	1300mm	1000mm	200mm	12mm	1.3	39kg	2mm
SCE13510BP	1350mm	1000mm	200mm	12mm	1.35	40.5kg	2mm
SCE1410BP	1400mm	1000mm	250mm	12mm	1.4	42kg	2mm
SCE14510BP	1450mm	1000mm	250mm	12mm	1.45	43.5kg	2mm
SCE1510BP	1500mm	1000mm	250mm	12mm	1.5	45kg	2mm
SCE15510BP	1550mm	1000mm	250mm	12mm	1.55	46.5kg	2mm
SCE1610BP	1600mm	1000mm	250mm	12mm	1.6	48kg	2mm



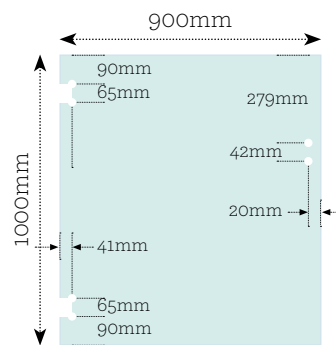
# FRAMELESS GLASS GATE & HINGE PANELS

## BELAIRE GATE PANELS

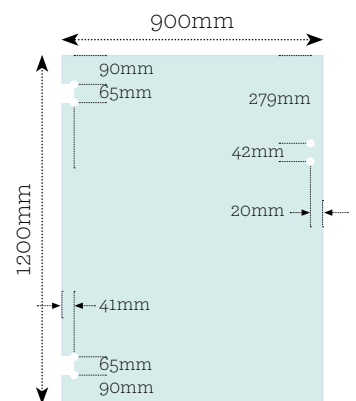
- 8 & 10mm thick clear toughened glass
- Corner radius: 2mm
- 10mm supplied as standard



Order Code: SCE0812GP PH  
Glass weight: 19.9kg



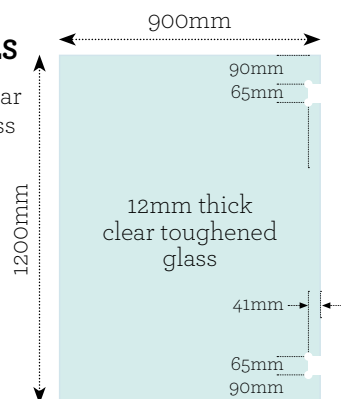
Order Code: SCE0910GP PH  
Glass weight: 21.6kg



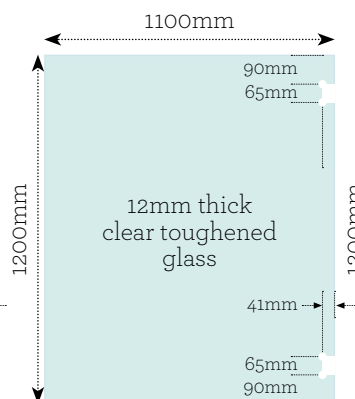
Order Code: SCE0912GP PH  
Glass weight: 28kg

## BELAIRE HINGE PANELS

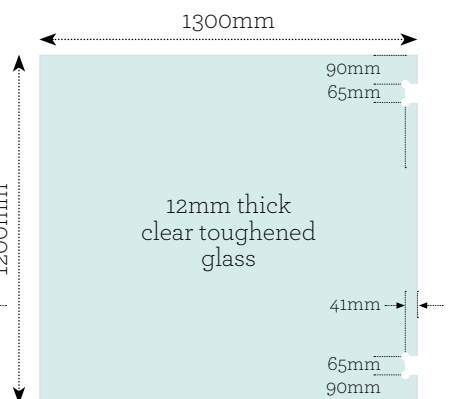
- 12mm thick clear toughened glass
- Corner radius: 2mm



Order Code: SCE0912HP PH  
Glass weight: 32.4kg



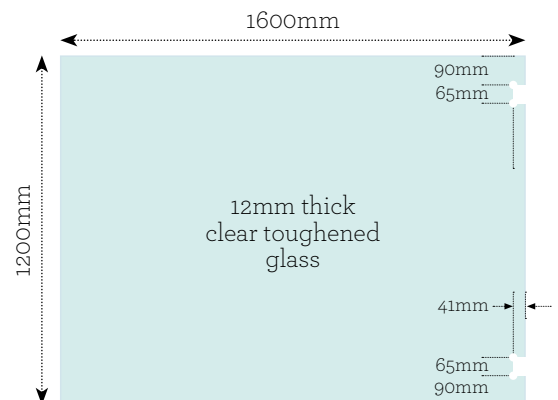
Order Code: SCE1112HP PH  
Glass weight: 38kg



Order Code: SCE1312HP PH  
Glass weight: 46.8kg



Order Code: SCE14512HP PH  
Glass weight: 52.2kg



Order Code: SCE1612HP PH  
Glass weight: 58kg



\* Extra high wind zone

# WIND ZONES

Wind regions for BelAire spigots to suit occupancy A,B, E, and C3

NZS 3604 divides New Zealand into two wind regions (A and W) and several lee zone areas – these are areas where the landforms create localised wind acceleration resulting in higher wind speeds than the rest of the region.

It also classifies wind zones into categories, set out in the following table, according to maximum ultimate limit state speeds.

Wind zone classifications (from NZS 3604 Timber framed buildings)

Classification	Maximum ultimate limit state speed
Low	Below 32 m/s
Medium	37 m/s
High	44 m/s
Very high	50 m/s
Extra high	55 m/s
Specific design (SD)	Over 55 m/s

## Pool Fencing - Max Panel Size & Spigot Quantity

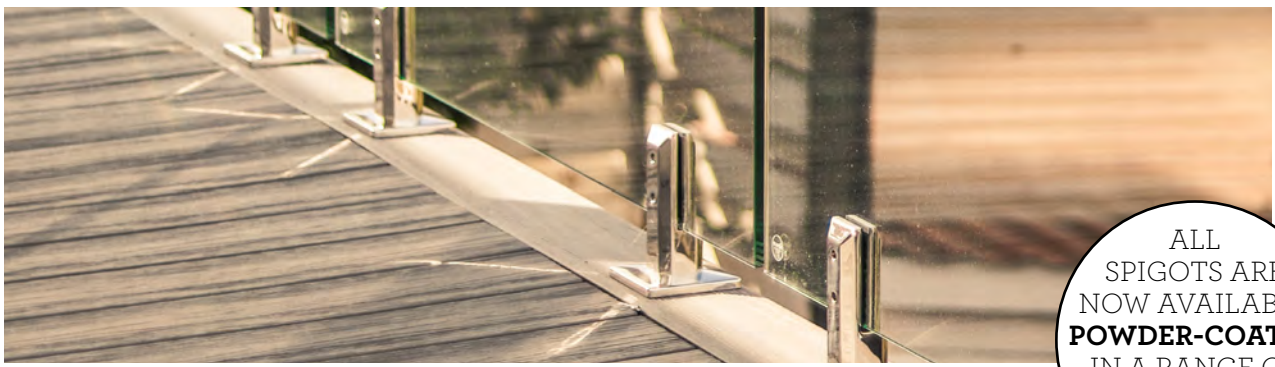
Min 1200mm High

	Tekapo	Milford	Kaweka	Aoraki	Rakaia Channel
Up to Very High Wind Regions	1600W x 1200H (2 Spigots) 1250W x 1350H (2 Spigots) 1600W x 1350H (3 Spigots)	1600W x 1200H (2 Spigots) 1250W x 1350H (2 Spigots) 1600W x 1350H (3 Spigots)	1600W x 1200H (2 Spigots) 1250W x 1350H (2 Spigots) 1600W x 1350H (3 Spigots)	1100W x 1200H (2 Spigots) 1600W x 1200H (3 Spigots)	1600W x 1350H
Extra High Wind Regions	1350W x 1200H (2 Spigots) 1600W x 1200H (3 Spigots)	1350W x 1200H (2 Spigots) 1600W x 1200H (3 Spigots)	1350W x 1200H (2 Spigots) 1600W x 1200H (3 Spigots)	900W x 1200H (2 Spigots)	1600W x 1350H

## Balustrade With Handrail - Max Panel Size & Spigot Quantity

Min 1000mm High

	Tekapo	Milford	Kaweka	Aoraki	Rakaia Channel
Up to Very High Wind Regions	1400W x 1200H (2 Spigots)	1400W x 1200H (2 Spigots)	1400W x 1200H (2 Spigots)	900W x 1200H (2 Spigots) 1400W x 1200H (3 Spigots)	1600W x 1350H
Extra High Wind Regions	1600W x 1000H (2 Spigots) 1600W x 1200H (3 Spigots)	1600W x 1000H (2 Spigots) 1600W x 1200H (3 Spigots)	1600W x 1000H (2 Spigots) 1600W x 1200H (3 Spigots)	900W x 1200H (2 Spigots)	1600W x 1350H



ALL SPIGOTS ARE NOW AVAILABLE POWDER-COATED IN A RANGE OF DULUX COLOURS\*

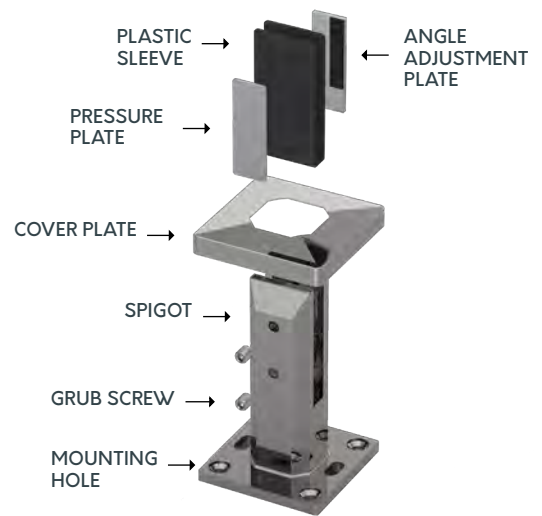
# TEKAPO BASE PLATE SPIGOT

## Duplex 2205 Stainless Steel

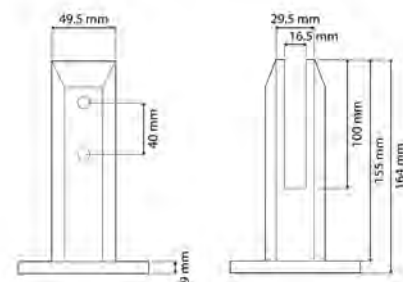
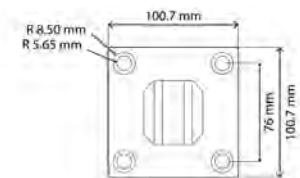
**BASE PLATED Spigot**  
**Polish Finish** Code: SCEPSSP  
**Black Finish** Code: SCEPSSP B  
**Satin Finish** Code: SCEPPSP  
**COVER PLATE**  
 Polished, Black or Satin Finish



### SPIGOT PARTS



### SPIGOT DIMENSIONS



### DECK LAYOUT

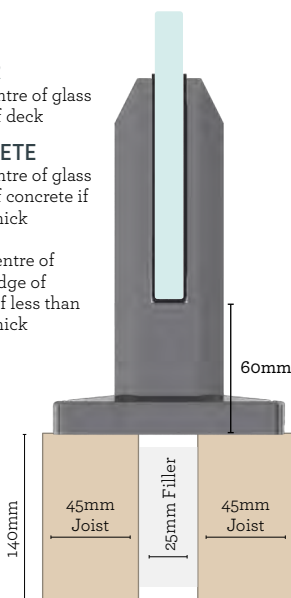
Please take into account the distance from the edge of decking/ concrete to the centre of glass on internal and external corners.

#### TIMBER

60mm centre of glass to edge of deck

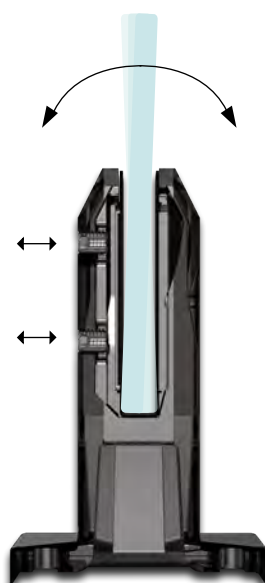
#### CONCRETE

90mm centre of glass to edge of concrete if 200mm thick  
 OR  
 140mm centre of glass to edge of concrete if less than 200mm thick



### ANGLE ADJUSTMENT

Easily adjust the angle of glass panels in the Tekapo Spigot by tightening the top or bottom grub screw against the adjustment plate.



### SPIGOT FIXINGS

#### CONCRETE

**SCECCSA**  
M8 Concrete Screw anchor

**SCETHR8 & SCE8BRLNUT**  
Threaded rod and barrel nut requires chermset

#### TIMBER

**SCETCSK**  
Timber CSK screw



\*\*1yr Warranty on powder-coated spigots.





ALL SPIGOTS ARE NOW AVAILABLE POWDER-COATED IN A RANGE OF DULUX COLOURS\*

# KAWEKA SIDE MOUNT SPIGOT

## Duplex 2205 Stainless Steel

### SIDE MOUNT Spigot

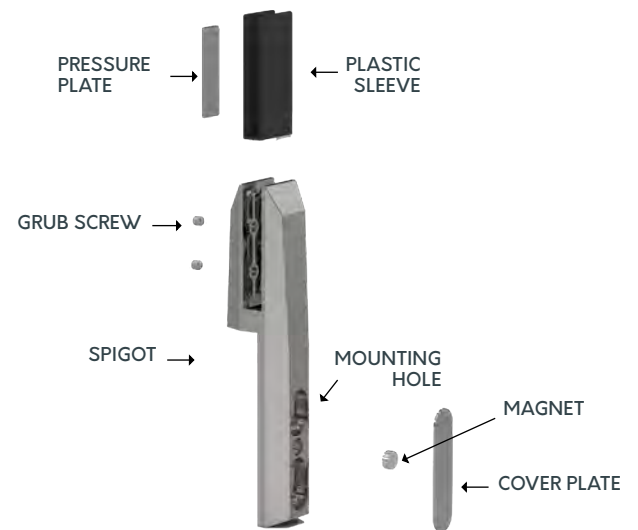
**Polish Finish** Code: SCESMS24

**Black Finish** Code: SCESMS24 B

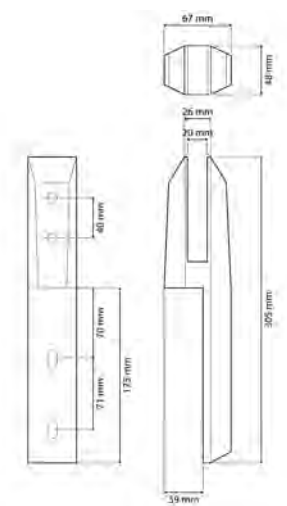
**Stainless Satin Finish** Code: SCESMS S



### SPIGOT PARTS

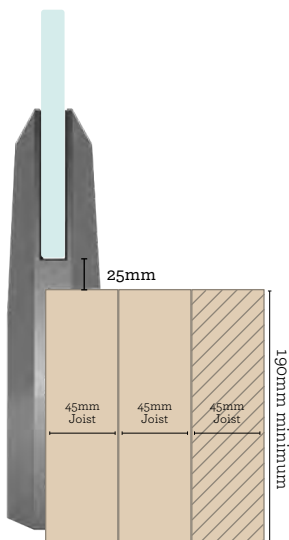


### SPIGOT DIMENSIONS



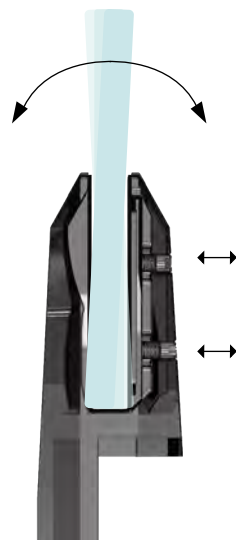
### DECK LAYOUT

The glass sits flush with the outside of the deck, so use the dimensions of the deck to work out the glass panels.



### ANGLE ADJUSTMENT

Easily adjust the angle of glass panels in the Kaweka Spigot by tightening the top or bottom grub screw against the adjustment plate.



### SPIGOT FIXINGS

#### CONCRETE

SCECHSA-K  
M12 Concrete Screw



#### TIMBER

SCETHX  
Timber HEX screw



\*\*1yr Warranty on powder-coated spigots.



ALL SPIGOTS ARE NOW AVAILABLE **POWDER-COATED** IN A RANGE OF **DULUX COLOURS\***

# MILFORD BASE PLATE SPIGOT

## Duplex 2205 Stainless Steel

**BASE PLATED Spigot**  
**Polish Finish** Code: SCEPSOP  
**Black Finish** Code: SCEPSOP B  
**COVER PLATE**  
 Polished, Black or Satin Black Finish



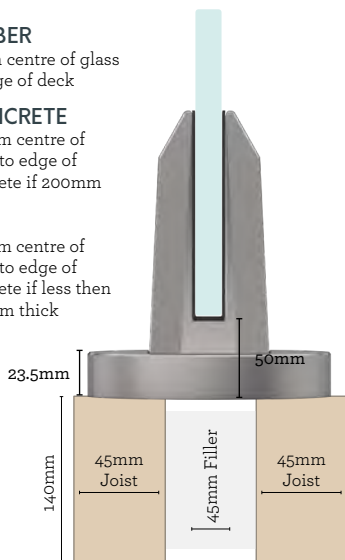
Optional 34mm cover plate on available on request

### DECK LAYOUT

Please take into account the distance from the edge of decking/ concrete to the centre of glass on internal and external corners.

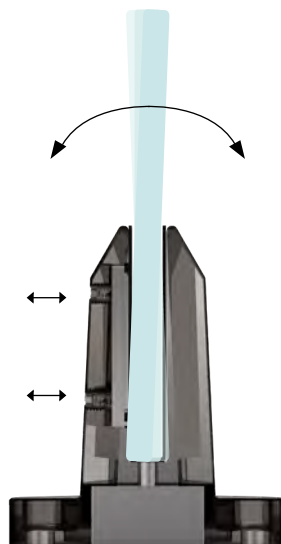
**TIMBER**  
 75mm centre of glass to edge of deck

**CONCRETE**  
 120mm centre of glass to edge of concrete if 200mm thick  
 OR  
 150mm centre of glass to edge of concrete if less than 200mm thick



### ANGLE ADJUSTMENT

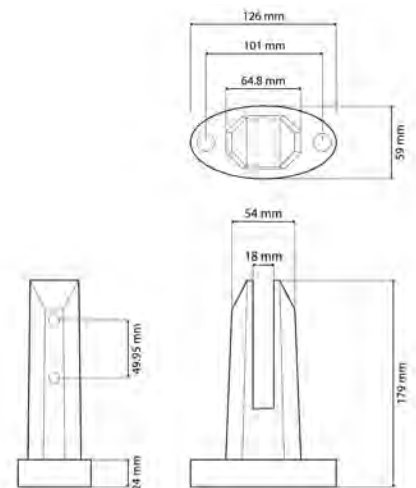
Easily adjust the angle of glass panels in the Milford Spigot by tightening the top or bottom grub screw against the adjustment plate.



### SPIGOT PARTS



### SPIGOT DIMENSIONS



### SPIGOT FIXINGS

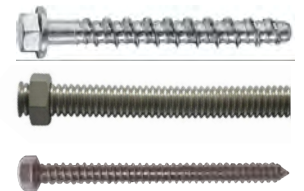
#### CONCRETE

**SCECHSA**  
 M12 Concrete Screw anchor

**SCETHR12**  
 Threaded rod and nut with chemset

#### TIMBER

**SCETHX**  
 Timber HEX screw



\*\*1yr Warranty on powder-coated spigots.







ALL  
SPIGOTS ARE  
NOW AVAILABLE  
**POWDER-COATED**  
IN A RANGE OF  
**DULUX**  
COLOURS\*

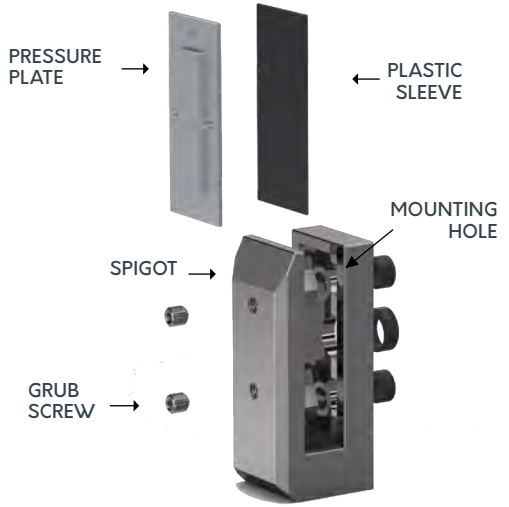
# AORAKI FACE MOUNT SPIGOT

## Duplex 2205 Stainless Steel

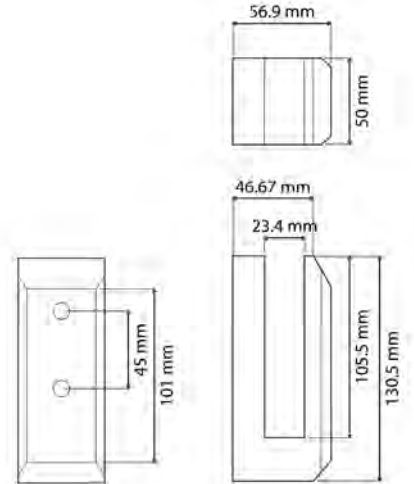
**FACE MOUNTED Spigot** - FRICTION FIT  
**Polish Finish** Order Code: SCEFMS  
**Black Finish** Order Code: SCEFMS B



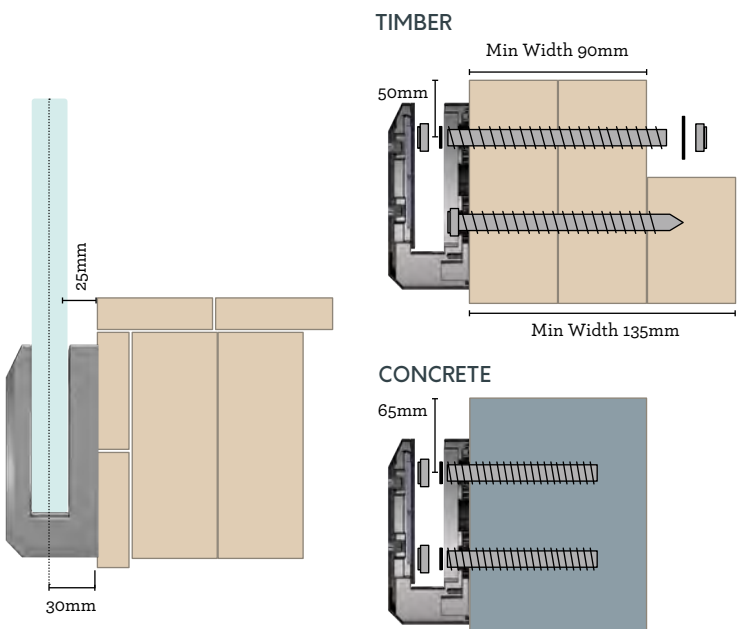
### SPIGOT PARTS



### SPIGOT DIMENSIONS



### DECK LAYOUT OPTIONS



### SPIGOT FIXINGS

#### CONCRETE

2 x 12mm  
 SS Threaded rod secured with  
 Chemset, Washers and Nut



#### TIMBER

2 x 12mm  
 SS Threaded rod secured with  
 Washers and Nuts



Or

2x Hex Head Lag Screws



\*\*1yr Warranty on powder-coated spigots.

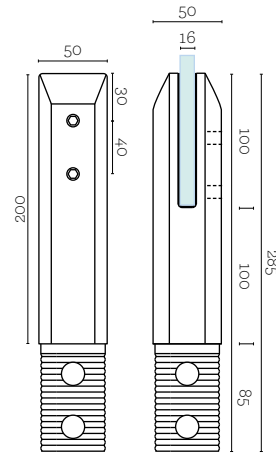
# TEKAPO CORE DRILL SPIGOT

## Duplex 2205 Stainless Steel



**CORE DRILL Spigot** - FRICTION FIT  
**Polish Finish** Order Code: SCECDS  
**Black Finish** Order Code: SCECDS B

**COVER PLATE**  
**Polish or Black Finish**  
 (Comes with the core drill spigot)



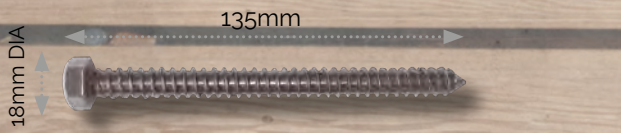
# FIXINGS FOR ALL SPIGOTS

## TIMBER FIXINGS



**Countersunk Timber Screw 140mm Long**  
 Stainless Steel 316 (Hex head drive)

- Order Code: SCETCSK
- Self tapping 140mm length with M8 diameter screw
  - Spigots: Tekapo, Rakaia Channel



**M12 Coachscrew Timber Screw 135mm**  
 Stainless Steel 316 (Hex head drive)

- 135mm Order Code: SCETHX (for Kaweka spigots)
- Self tapping 135mm length with M12 diameter screw
  - Spigots: Kaweka, Milford



**M10 & M12 Timber Lag Screw 140mm Long**

- Stainless Steel 316 (Hex head drive)
- Order Code: SCELAG140 (M10 Rakaia Channel)  
 Order Code: SCELAG160 (M12 Aoraki Spigots)
- Self tapping 140mm or 160mm length
  - 2 x M12 nuts or M10 nuts
  - Spigots: Aoraki, Rakaia Channel (Bottom Fixing)



**Chemset: SCECHEM Chemset**  
 Used with SCETHR12 Stainless threaded rod into concrete

## CONCRETE FIXINGS



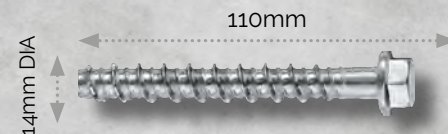
**M8 Countersunk Concrete Screw ANCHOR 80 & 95mm Long**

- Stainless Steel 316 (Torx head drive)
- 80mm Order Code: SCECCSA80  
 95mm Order Code: SCECCSA95
- Self tapping 95mm length with 10mm outer; M8 diameter screw
  - Spigots: Tekapo, Rakaia Channel
  - Drill a 8mm Hole



**M10 Concrete Wedge anchor x 110mm Stainless steel**  
 Code: SCECHSA-K

- Spigots: Kaweka



**M12 Concrete Screw Anchor 110mm Long**  
 Stainless Steel 316 (Hex head drive)

- Order Code: SCECHSA
- Self tapping 110mm length with 14mm outer; M12 diameter screw
  - Spigots: Milford, Kaweka
  - Drill a 12mm hole



- Threaded rod**  
 Stainless Steel 316 (Hex head drive)
- M10 Order Code: SCETHR10 (for Rakaia Channel)  
 M12 Order Code: SCETHR12 (for Milford, Kaweka and Aoraki Spigots)
- Chemset also supplied for concrete applications - ask our sales team for more info
  - Drill a 14mm hole when using Chemset

\*Also other items such as Chemset and threaded rod available on request.



FACE  
FLASHING, END  
CAP & DECKING CAP  
**POWDER-COATED**  
IN A RANGE OF  
**DULUX**  
**COLOURS\***

# RAKAIA FRICTION CHANNEL

## 3m & 1.5m Long Channel Kits

The all new Rakaia side mounted friction fitting glass channel system has been designed for the most simple installation method in mind, it also meets and surpasses all compliance that is required for New Zealand regulations.

Its durability is outstanding, having been tested in our own testing facility we were sure blown away at the strength that this system serves.

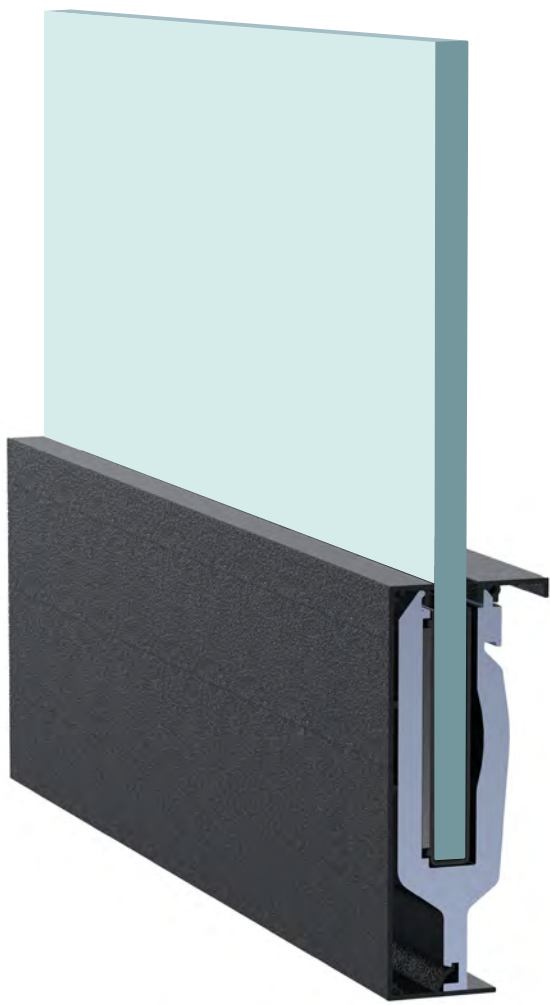
Our durable channel systems provide a modest and continuous design for pool fencing and balustrading.

### RAKAIA CHANNEL - FRICTION FIT

**Timber** Order Code: SCECHT

**Concrete** Order Code: SCECHC

\*Includes channel, powder coated inner and outer covers, plastic insert, pressure plate, grub screws, hanger brackets and mounting screws.



### CHANNEL PARTS

#### ADDITIONAL COMPONENTS

**SCECHGS**

Grub Screws (per unit)

**SCECHCC**

Corner Cap (per unit)

**SCECHEC**

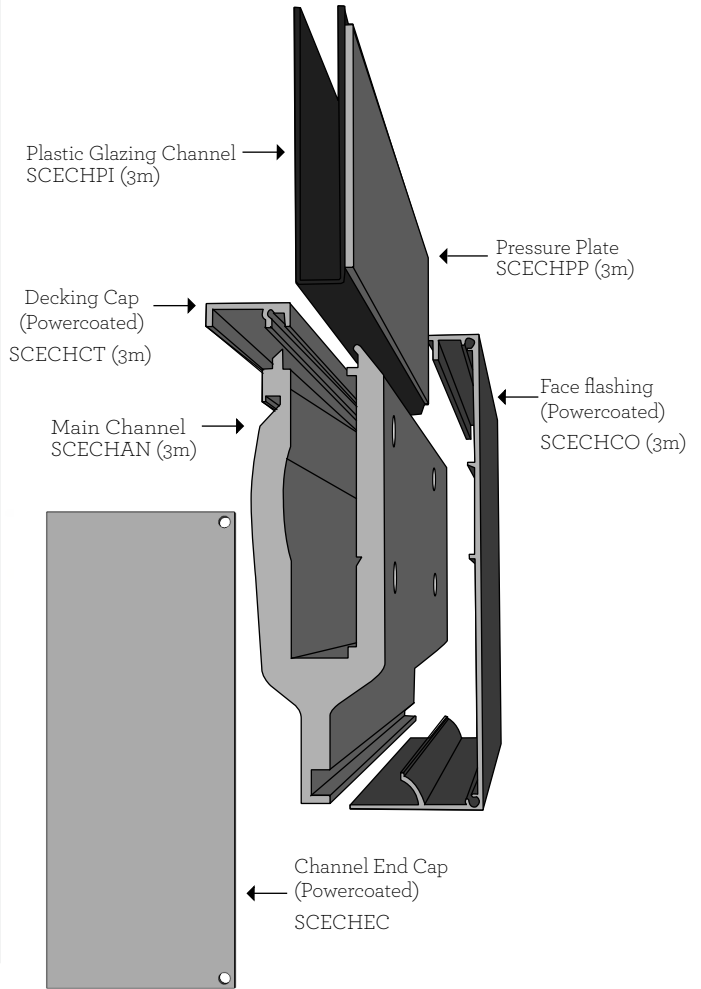
End Cap (per unit)

**SCECHHB**

Hanger Bracket (per unit)

**SCECHJC**

Channel join cover (per unit)



# RAKAIA CHANNEL

## INFINITY LOOK

Very sleek, infinity edge look where you will see no fixings making the channel look like a flashing.

The Channel is made up of a total of a total of 5 different extrusions plus the fixings. The main extrusion which is the channel is formed from a High Tensile Aluminium 6061-T-6

The cover plates are powdercoated to any colour you choose out of the Dulux powdercoated system.

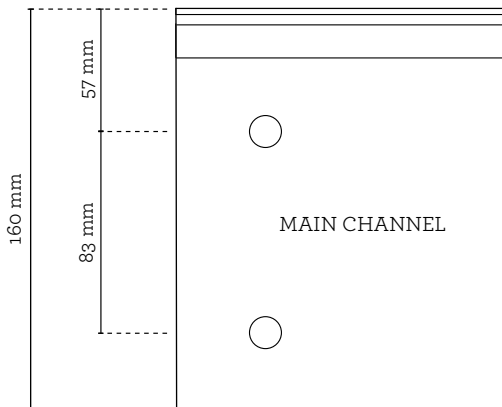
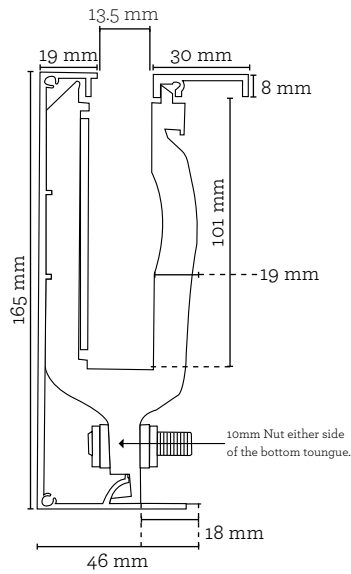
## WIND REGIONS

Suitable for up to Extra High and SED Wind zones.

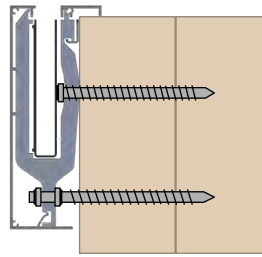
## OCCUPANCY TYPE

Suitable for occupancy types A, B, E and C3  
Occupancy types as per AS/NZ 1170.1.2002

## CHANNEL DIMENSIONS



## DECK LAYOUTS / FIXINGS



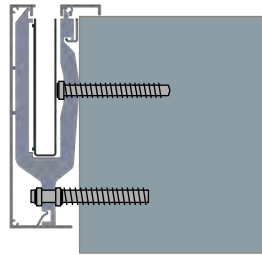
### TIMBER FLUSH MOUNT

#### SCETCSK

Timber CSK screw for the top fixing.

#### SCELAG140

Timber LAG Screw for the bottom fixing.  
Along with 2 x M10  
Nuts to go either side of the bottom Fin  
(as shown below)



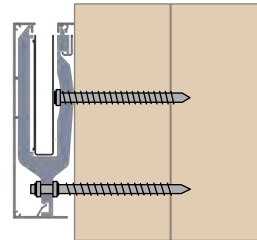
### CONCRETE FLUSH MOUNT

#### SCECCSA

For the top fixing M8 Countersunk concrete screw

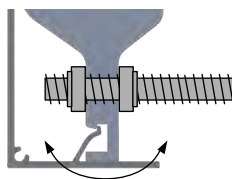
#### SCETHR10

Threaded rod and 2 x  
M10 nuts for the bottom fixing.  
Nuts to go either side of the bottom fin.  
(as shown below)



### SIDE MOUNT OPTION

For the side mount option, all channel components are the same apart from the top deck cap which when ordering will need to be swapped out for part code: SCECHCTN



### ANGLE ADJUSTMENT

Easily adjust the angle of glass panels in the Rakaia Channel by tightening either nuts adjusting the angle of the main channel.



# GATE HARDWARE: LATCHES & HINGES

BelAire offers a 24 month warranty from the moment of purchase on Gate Hardware (Hinges and Latch)

## GLASS-TO-GLASS LATCH KIT

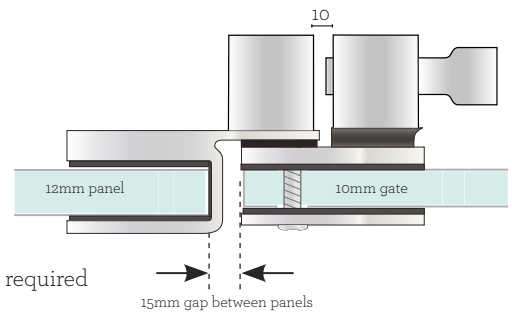
Polish finish Duplex 2205 Stainless Steel



Order Code: SCEHPGL

### SPECIFICATION

- Full stainless steel side pull latch; Duplex 2205 stainless steel
- Friction latch for glass to glass 180 degree application
- Suits 8mm and 10mm glass gates
- Latch panel must be 12mm thick - No latch holes required
- Available in polish finish only



## GLASS-TO-WALL SQUARE POST LATCH KIT

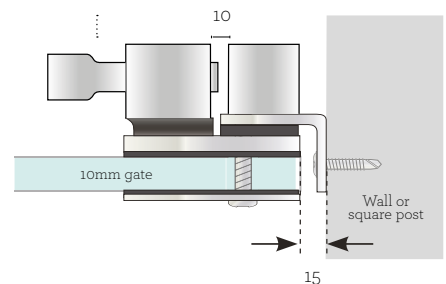
Polish finish Duplex 2205 Stainless Steel



Order Code: SCEHPGWL

### SPECIFICATION

- Full stainless steel side pull latch; 2205 stainless steel
- Suitable for application to wall or square posts
- Suits 8mm and 10mm glass gates
- Available in polish finish only



## GLASS-TO-GLASS 90° LATCH KIT

Polish finish Duplex 2205 Stainless Steel



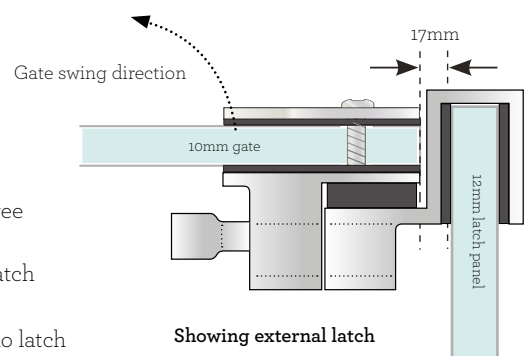
Showing external latch

**External Order Code:**  
SCEHPGL90EX

**Internal Order Code:**  
SCEHPGL90IN

### SPECIFICATION

- Side pull latch glass gate to 90 degree latch panel external fit
- Stainless steel backing plates and latch
- Suits 8mm and 10mm glass gates
- Latch panel must be 12mm thick - no latch holes required



Showing external latch

# GLASS-TO-GLASS LATCH KIT

## 316 Stainless Steel & Polymer



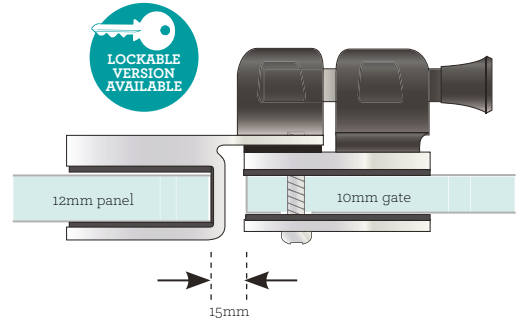
**Polish Finish** Order Code: SCEGL

**Black Finish** Order Code: SCEGL B

**Satin Finish** Order Code: SCEGL S

### SPECIFICATION

- Side pull latch
- Friction latch for glass to glass 180 degree application
- Stainless steel backing plates + D&D side pull polymer latch
- Suits 8mm and 10mm glass gate
- Latch panel must be 12mm thick - no latch holes required
- Available in polish finish backing plates



# GLASS-TO-GLASS 90° LATCH KIT

## (external fit) 316 Stainless Steel & Polymer



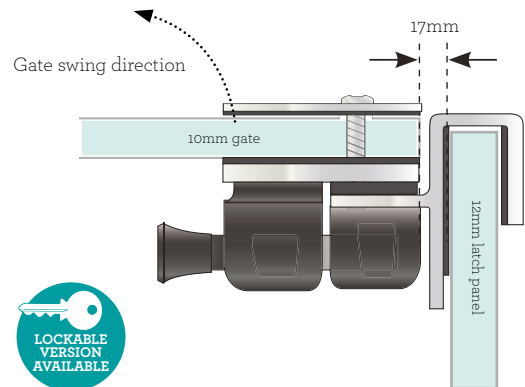
**Polish Finish** Order Code: SCEGL90EX

**Black Finish** Order Code: SCEGL90EX B

**Satin Finish** Order Code: SCEGL90EX S

### SPECIFICATION

- Side pull latch glass gate to 90 degree latch panel external fit
- Stainless steel backing plates + D&D side pull polymer latch
- Suits 8mm and 10mm glass gates
- Latch panel must be 12mm thick - no latch holes required



# GLASS-TO-GLASS 90° LATCH KIT

## (internal fit) 316 Stainless Steel & Polymer



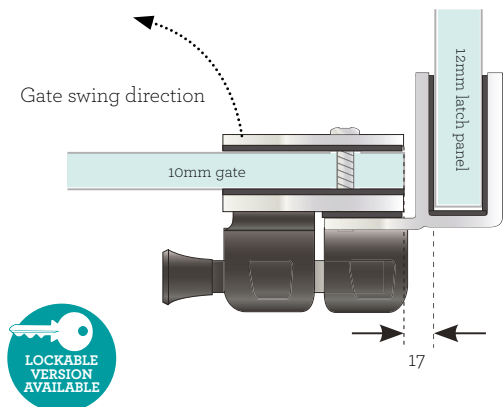
**Polish Finish** Order Code: SCEGL90IN

**Black Finish** Order Code: SCEGL90IN B

**Satin Finish** Order Code: SCEGL90IN S

### SPECIFICATION

- Side pull latch
- Glass gate to wall/square post application
- Stainless steel backing plates + D&D side pull polymer latch
- Suits 8mm and 10mm glass gates
- Available in satin or polish finish backing plate
- Suits 'internal 90 degree' configuration



# GLASS-TO-WALL/ SQUARE POST LATCH KIT

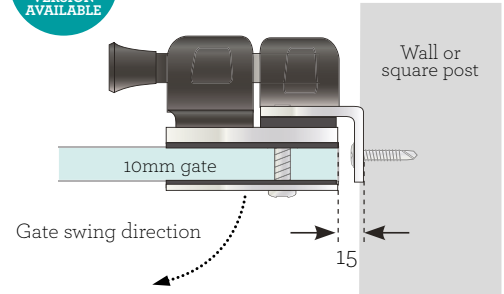
## 316 Stainless Steel & Polymer



**Polish Finish** Order Code: SCEGWL  
**Black Finish** Order Code: SCEGWL B  
**Satin Finish** Order Code: SCEGWL S

### SPECIFICATION

- Side pull latch glass gate to 90 degree latch panel internal fit pull polymer latch
- Stainless steel backing plates + D&D side
- Suits 8mm and 10mm glass gates
- Latch panel must be 12mm thick - no latch holes required
- Available in polish finish backing plate



# GLASS-TO-GLASS HINGES

## (set of 2) Duplex 2205 Stainless Steel



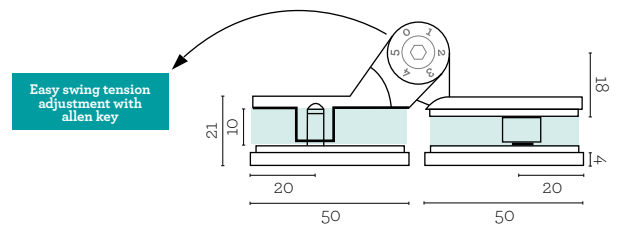
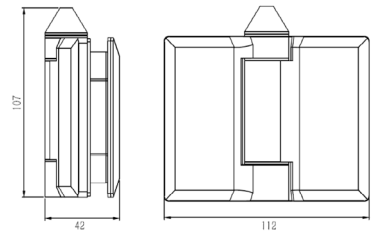
**Polish Finish** Order Code: SCEPHSN

**Satin Finish** Order Code: SCEPHSN S

**Black Finish** Order Code: SCEPHS B

### SPECIFICATION

- Glass gate to glass hinge panel
  - Stainless steel Duplex 2205
  - Suits 8 and 10mm glass gates
- Available in polish finish
  - Cone cap incorporated to prevent 'toe hold'
  - Includes solid stainless 2205 backing plates for a premium finish



# GLASS-TO-WALL/SQ. POST HINGES

## (set of 2) Polish finish Duplex 2205 Stainless Steel



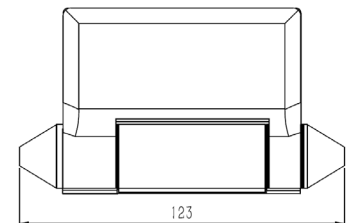
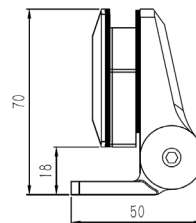
**Polish Finish**  
Order Code: SCEHPGWHSN

**Black Finish**  
Order Code: SCEHPGWHS B

**Satin Finish**  
Order Code: SCEHPGWHS S

### SPECIFICATION

- Glass gate to wall or square post application
- Suits 8 and 10mm glass gates
- Stainless steel Duplex 2205
- Available in polish or satin finish
- Cone cap incorporated to prevent 'toe hold'
- Gap between post or wall and glass gate is min 18mm max 22mm



BelAire offers a 24 month warranty from the moment of purchase on Gate Hardware (Hinges and Latch)

**NO SLAMMING!**  
SOFT CLOSING GATE HINGES

# POLARIS SOFT CLOSING GLASS-TO-GLASS HINGE

## 125 Series Pool Hinge



**Polish Finish**

Order Code: SCEPHGG

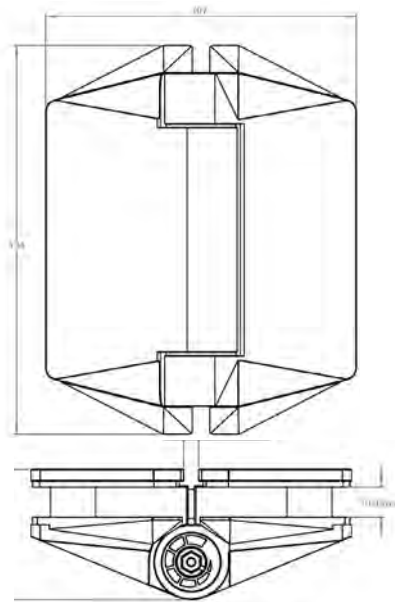


**Black Finish**

Order Code: SCEPHGG B

### SPECIFICATION

- 2205 grade stainless steel
- Self closing pool fence compliant safety hinge
- Suits 10 or 12mm thick glass gates (max 45kg)
- Polish or matt black finish
- Sleek new look
- Revolutionary anti-drop gate packing system which lowers the chance of the gate dropping.



Easy swing tension adjustment with allen key

# POLARIS 125 SERIES GLASS-TO-WALL HINGES

(set of 2) Duplex 2205 Stainless Steel



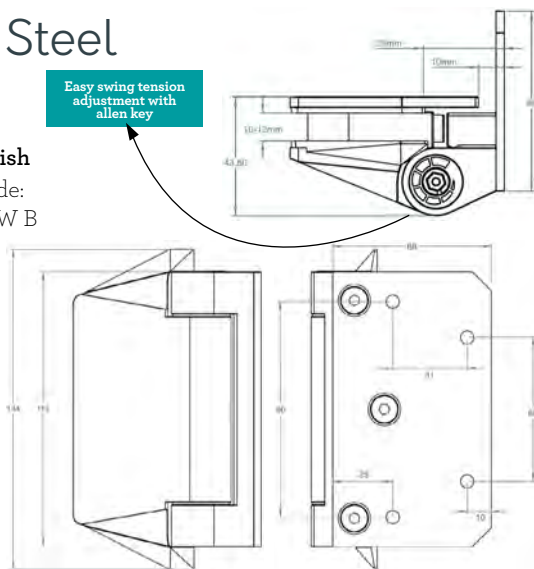
**Polish Finish**

Order Code: SCEPHGW



**Black Finish**

Order Code: SCEPHGW B



Easy swing tension adjustment with allen key

### SPECIFICATION

- 2205 grade stainless steel
- Self closing pool fence compliant safety hinge
- Suits 10 or 12mm thick glass gates (max 45kg)
- Polish or Matt Black finish
- Gate opens to 120°
- Sleek new look
- Revolutionary Anti-Drop Gate Packing system which lowers the chance of the gate dropping.
- Gap between post or wall and glass gate is min 26mm max 29mm

BelAire offers a 24 month warranty from the moment of purchase on Gate Hardware (Hinges and Latch)

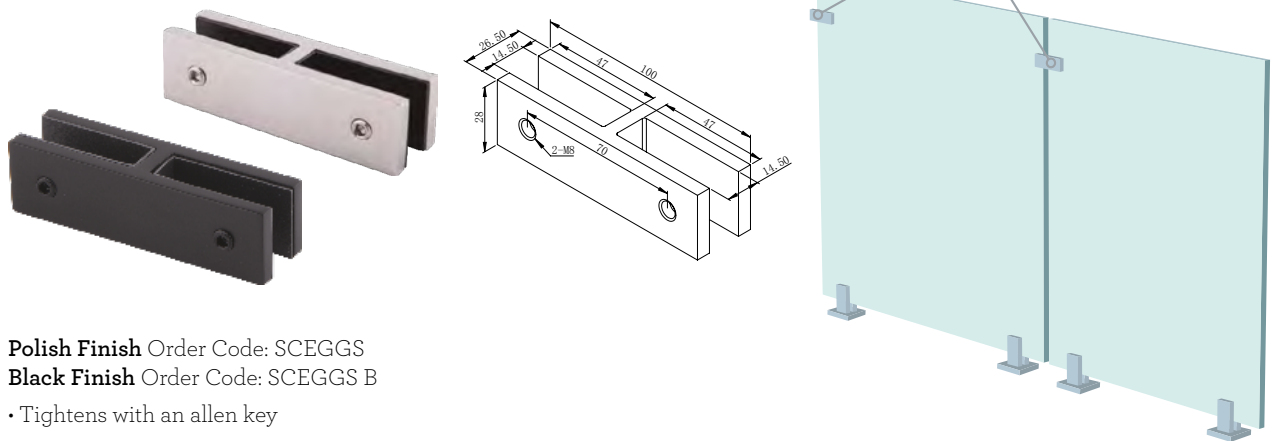


# CLAMPS & HANDRAILS

- Contemporary rigidity brackets that are “friction fit” – the glass panels do not require pre-drilled holes.
- All are suitable for 12mm glass.

## SMALL RIGI CLAMP

### 316 Stainless Steel

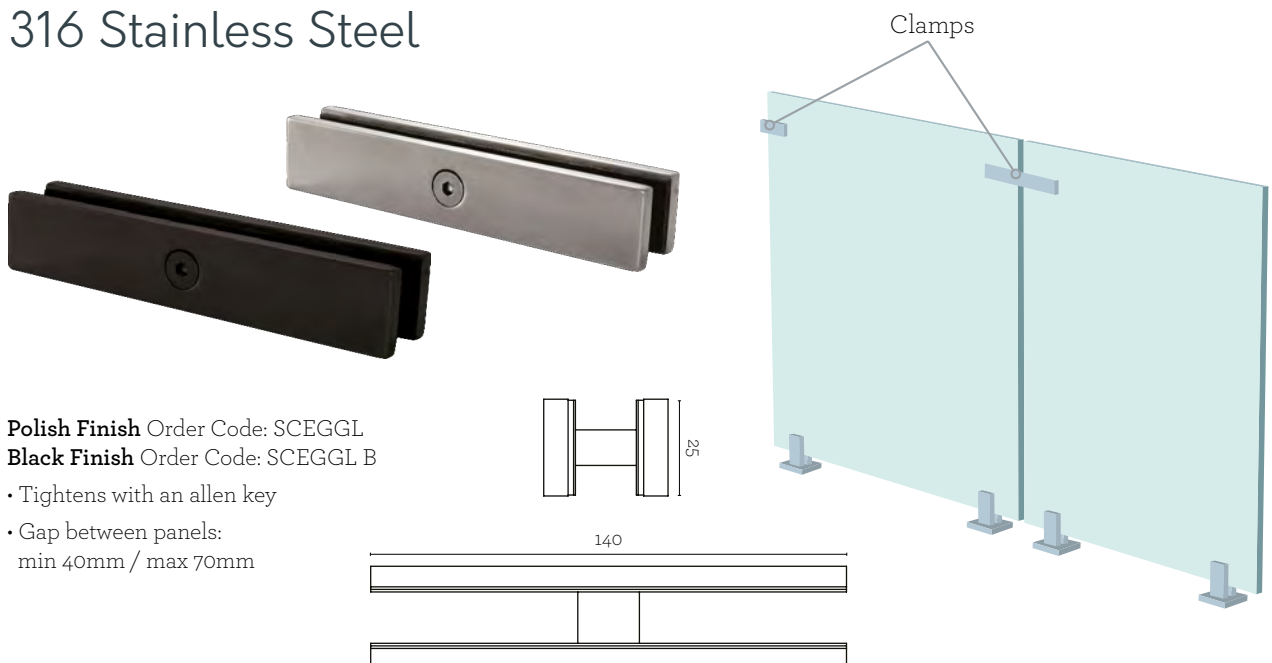


**Polish Finish** Order Code: SCEGGS  
**Black Finish** Order Code: SCEGGS B

- Tightens with an allen key
- Gap between panels: min 18mm / max 40mm

## LARGE RIGI CLAMP

### 316 Stainless Steel

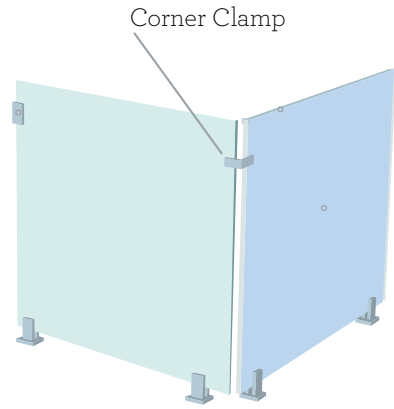
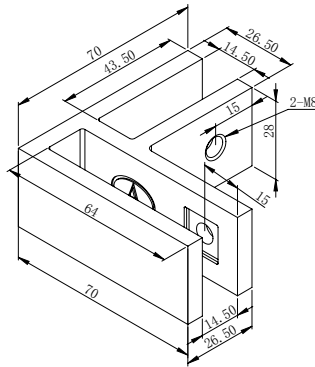


**Polish Finish** Order Code: SCEGGL  
**Black Finish** Order Code: SCEGGL B

- Tightens with an allen key
- Gap between panels: min 40mm / max 70mm

# 90° RIGI CLAMP

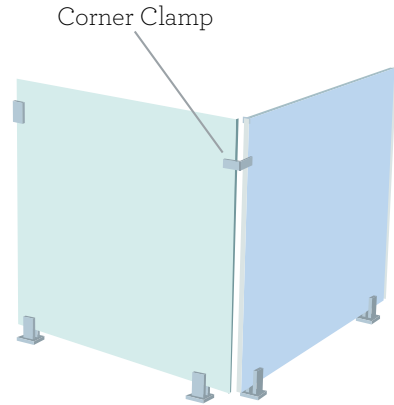
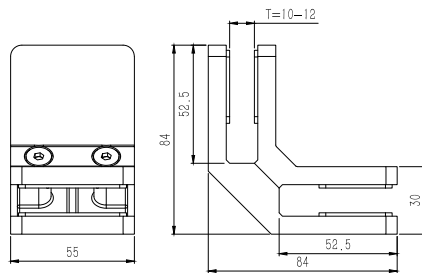
## 316 Stainless Steel



**Polish Finish** Order Code: SCEGG90  
**Black Finish** Order Code: SCEGG90 B

# 90° HEAVY DUTY CORNER CLAMP

## 316 Stainless Steel



**Polish Finish** Order Code: SCEGG90HD  
**Black Finish** Order Code: SCEGG90HD B

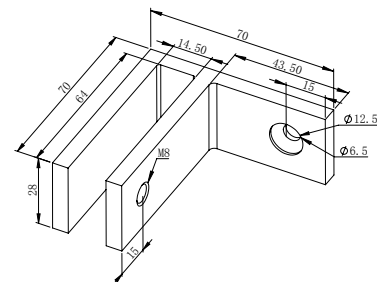
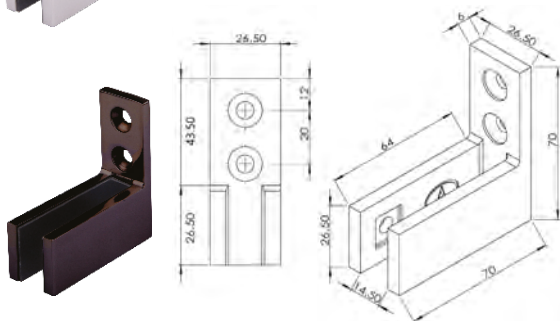
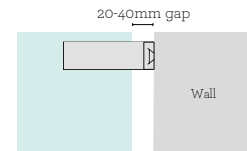
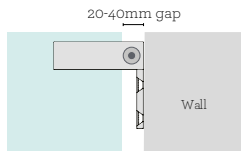
# WALL RIGI CLAMP

## 316 Stainless Steel

**Polish Finish** Order Code:  
 SCEGWV (Vertical)  
 SCEGWH (Horizontal)

**Black Finish** Order Code:  
 SCEGWV B (Vertical)  
 SCEGWH B (Horizontal)

- Adjustable with allen key
- Counter sunk screw holes

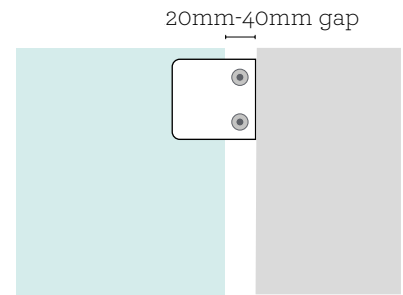
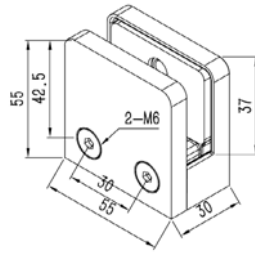
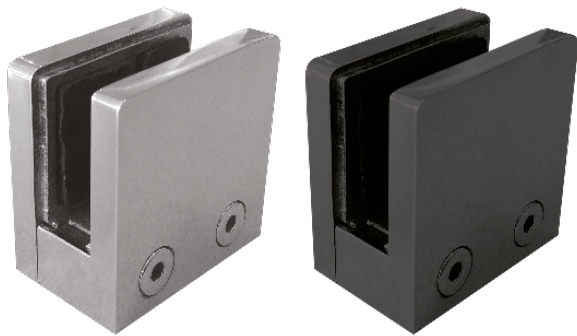


VERTICAL

HORIZONTAL

# HEAVY DUTY WALL CLAMP

## 316 Stainless Steel

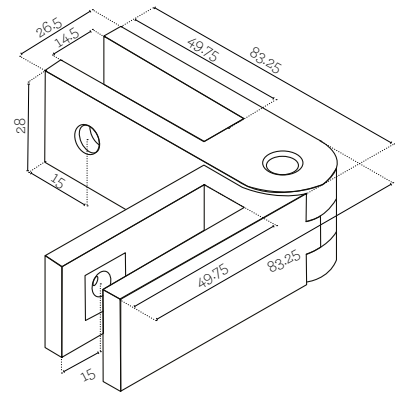
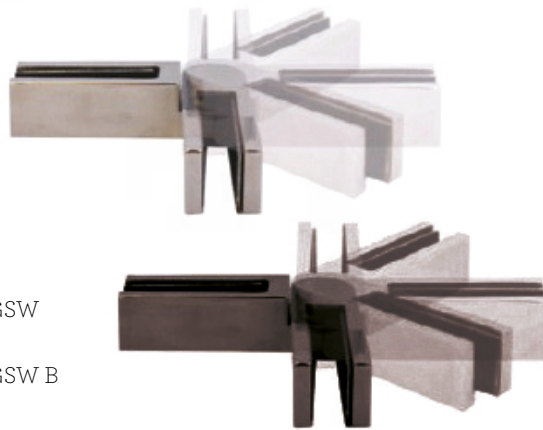


**Polish Finish** Order Code: SCEGWHD  
**Black Finish** Order Code: SCEGWHD B

- Adjustable with allen key
- Counter sunk screw holes

# SWIVEL RIGI CLAMP

## 316 Stainless Steel



**Polish Finish**  
 Order Code: SCEGGSW  
**Black Finish**  
 Order Code: SCEGGSW B

\*When installing glass panels, ensure there is a minimum gap of 45mm between panels and a maximum gap between panels of 70mm.

# HANDRAIL – 5800mm x 25mm x 21mm

## 316 Stainless Steel

Polish Finish



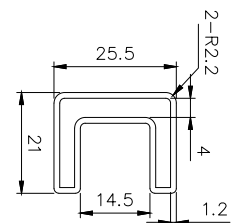
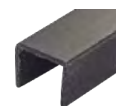
Black Finish

**COMPLIANT WITH**  
 NZS4223:2016 and F4

**Polish Finish** Order Code: SCEHR5,8 OR 2.9  
**Black Finish** Order Code: SCEHR5,8 OR 2.9 B

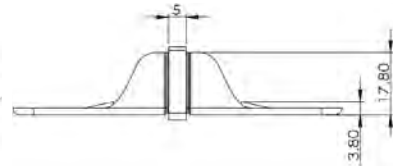
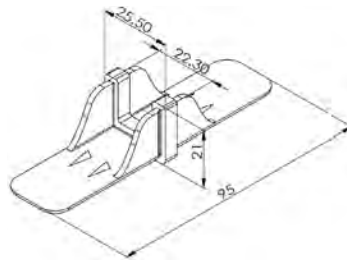
### SPECIFICATION

- Slimline stylish profile - caps over 12mm thick glass
- 1.2mm wall thickness
- 14 x 14mm glazing pocket: silicone onto glass or use in conjunction with glazing rubber
- To be compliant with NZS4223:2016 - Approved Balustrade Handrail



# 180° CONNECTOR – 25mm x 21mm

## 316 Stainless Steel



### SPECIFICATION

- In-line rail joiner
- Easy to use tap-in fitting; allows for increased speed of assembly
- Stainless Steel 316
- Friction fitting or epoxy can be used

#### Polish Finish

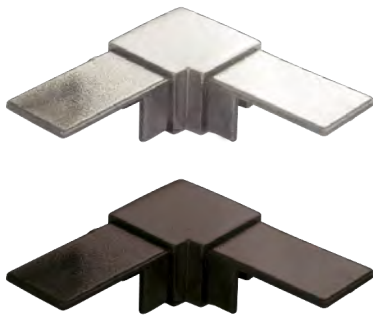
Order Code: SCEHR180

#### Black Finish

Order Code: SCEHR180 B

# 90° CONNECTOR – 25mm x 21mm

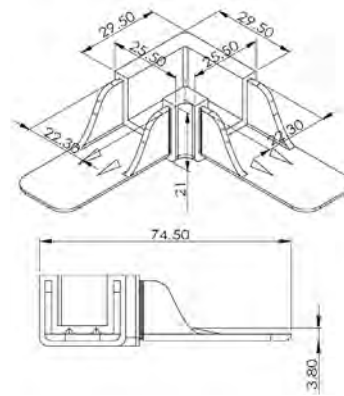
## 316 Stainless Steel



**Polish Finish** Order Code: SCEHR90  
**Black Finish** Order Code: SCEHR90 B

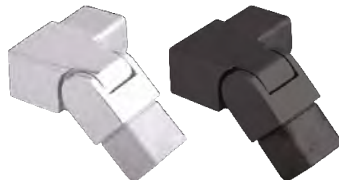
### SPECIFICATION

- 90 degree corner joiner ; easy to use tap-in fitting
- Stainless Steel 316
- Epoxy glue or drill/tap tube for joining strength



# HANDRAIL SWIVEL VERTICAL CORNER JOINER LEFT AND RIGHT

## 316 Stainless Steel



#### Polish Finish

Order Code: SCEHRSCJL

#### Black Finish

Order Code: SCEHRSCJL B

### LEFT SPECIFICATION

- Variable angle corner joiner
- From straight rail, achieve up to 90 degrees left angle joining
- Epoxy glue, weld or drill/top tube for joining strength

#### Polish Finish

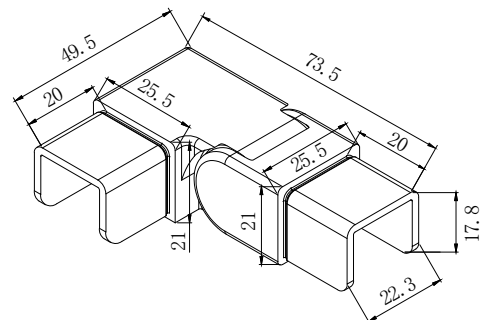
Order Code: SCEHRSCJR

#### Black Finish

Order Code: SCEHRSCJR B

### RIGHT SPECIFICATION

- Variable angle corner joiner
- From straight rail, achieve up to 90 degrees right angle joining
- Epoxy glue, weld or drill/top tube for joining strength



# SWIVEL HORIZONTAL CONNECTOR

## 316 Stainless Steel

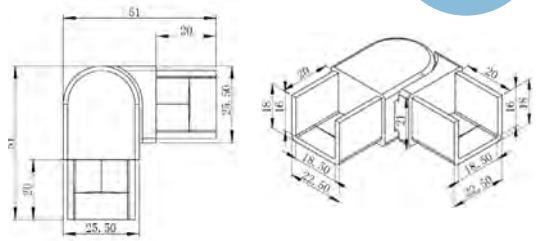
VARIABLE ANGLE



**Polish Finish** Order Code: SCEHRH  
**Black Finish** Order Code: SCEHRH B

### SPECIFICATION

- Variable angle horizontal joiner
- From straight rail, achieve up to 90 degrees left or right angle joining
- Epoxy glue or drill/top tube for joining strength



# SWIVEL VERTICAL CONNECTOR

## 316 Stainless Steel

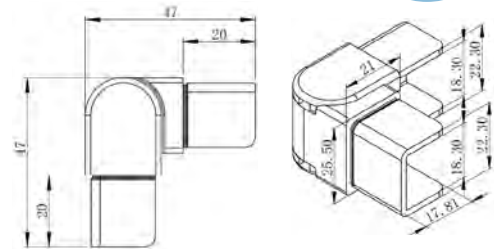
VARIABLE ANGLE



**Polish Finish**  
 Order Code: SCEHRV  
**Black Finish**  
 Order Code: SCEHRV B

### SPECIFICATION

- Variable angle vertical joiner
- From straight rail, achieve up to 45 degrees upwards and downwards
- Ideal for staircase installation



# END CAP – 25mm x 21mm

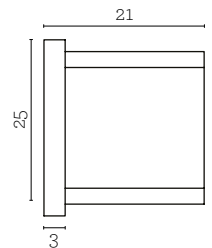
## 316 Stainless Steel



**Polish Finish** Order Code: SCEHREC  
**Black Finish** Order Code: SCEHRECB

### SPECIFICATION

- End cap; easy to use tap-in fitting
- Stainless Steel 316
- Epoxy glue or drill/tap tube for joining strength



# WALL PLATE – 25mm x 21mm

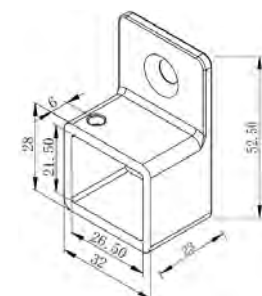
## 316 Stainless Steel



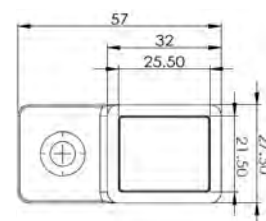
**Polish Finish** Order Code:  
 SCEHRWC (Vertical)  
 SCEHRWCH (Horizontal)  
**Black Finish** Order Code:  
 SCEHRWC B (Vertical)  
 SCEHRWCH B (Horizontal)

### SPECIFICATION

- Bracket can be affixed to wall/post
- 25 x 21mm tube fits into opening (female fit)
- Stainless Steel 316
- Grub Screw for joining strength



Vertical



Horizontal

# Install With Ocean Views

A recent BelAire glass fencing installation! Hawke's Bay's Ocean Beach sitting beneath this crows nest makes another picturesque location for a Scenic glass pool fencing job, leaving the view uninterrupted...

Project Specifications:

**12mm Toughened Enduroshield Glass Fencing**

1200mm high to meet all required council F9 specifications all provided with a PS1

**Polished Core Drill Stainless 2205 Spigots & Soft closing Hinges**

38 meters installed into concrete by core drilling



# Kumeū Glass Pool Fencing

This customer wanted to enclose his pool area without sacrificing their beautiful landscape view, with a combination of top mounted Tekapo and side mounted Kaweka spigots, the results were more than pleasing.

Project Specifications:

## **Toughened Enduroshield Glass Fencing**

This project consisted of multiple sizes of glass panels

**Combination of top mounted stainless Tekapo spigots and side mounted stainless Kaweka spigot**

**"Fantastic company to buy fencing products from. Very knowledgeable and helpful team. Top quality glass with no distortion, superior fixing system and superb customer experience from start to finish."**

John



**Easy-clean glass coating**

Upgrade our toughened safety glass with **EnduroShield**, an invisible, non-stick coating that reduces cleaning time by up to 90%. Your glass stays cleaner for longer, and it's a breeze to rinse down.

Choose to upgrade to EnduroShield-coated glass when you order on-line, or just talk with one of our friendly sales representatives.

**EnduroShield**

# Enfield Drive

With such an amazing view there was no question why we installed the BelAire glass fencing system. This job only took two days to install and resulted in high strength glass fencing with core drill spigots and a clear, uninterrupted view of Hawke's Bay.

Project Specifications:

**12mm Toughened Enduroshield Glass Fencing**

1200mm high to be pool compliant, with some custom panels beside stepped areas

**Polished Core Drill Stainless 2205 Spigots & Soft Closing Hinges**

38 meters installed into concrete by core drilling

**Specified By**

South Pacific Landscaping





# David Reid Homes

How could you install anything other than the BelAire glass fence with these amazing views and the sun setting in the west. As this site was in an Extra High wind zone, we used 3 Spigots per panel and consists of A Grade toughened panels to perform against the elements.

Project Specifications:

## **12mm Toughened Enduroshield Glass Fencing**

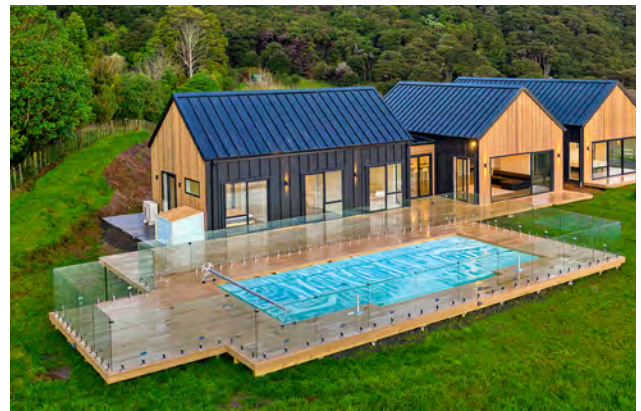
1200mm high to be pool compliant to NZ compliance F9

## **Polished Top Mounted Tekapo Stainless 2205 Spigots & Soft Closing Hinges**

52 meters installed into composite decking

## **Specified By**

David Reid Homes



**Easy-clean glass coating**

Upgrade our toughened safety glass with **EnduroShield**, an invisible, non-stick coating that reduces cleaning time by up to 90%. Your glass stays cleaner for longer, and it's a breeze to rinse down.

Choose to upgrade to EnduroShield-coated glass when you order on-line, or just talk with one of our friendly sales representatives.



# Balustrade Install

A Blenheim client approached BelAire Designer Fencing for a balustrading solution for his outdoor decking and pool area, not wanting to obstruct his amazing view. Our frameless glass balustrade system provided functionality and safety that complimented the aesthetics of our client's house.

Project Specifications:

**12mm Toughened Enduroshield Glass Fencing**  
Combination of 1200mm high and 1000mm high

**Tekapo Base Mounted Spigot**  
105 meters installed into timber decking

**"I was really impressed with how easy BelAire made the whole process. The computerised layout and plan of what was required made it so easy. Great to get a reliable quote and then easy delivery and after care service."**

Anonymous Client



# Coromandel Glass Install

This stunning glass fencing job combines the purpose of glass balustrade fencing with glass pool fencing. This allows the customer to admire the beautiful Coromandel farmland while optimising the safety of their outdoor entertaining area.

Project Specifications:

## 12mm Toughened Enduroshield Glass Fencing

1200mm high to be pool compliant to NZ compliance F9

## Polished Top Mounted Tekapo Stainless

### 2205 Spigots and Soft closing hinges

51 meters installed into timber decking

## Specified by

Customer chosen direct with BelAire Fencing



**Easy-clean glass coating**  
Upgrade our toughened safety glass with **EnduroShield**, an invisible, non-stick coating that reduces cleaning time by up to 90%. Your glass stays cleaner for longer, and it's a breeze to rinse down.  
Choose to upgrade to EnduroShield-coated glass when you order on-line, or just talk with one of our friendly sales representatives.

**EnduroShield**

