

# Product Catalogue




BelAire®  
DESIGNER FENCING

*...make it your own!*

FRAMELESS GLASS FENCING & BALUSTRADES 

ALUMINIUM FENCING & SCREEN SYSTEMS 

AURORA 

SOLID PANEL FENCING 

COMMERCIAL ACOUSTIC WALLS 

COLOUR WALL 

GATES 

V 3.0

# Who we are

BelAire is a brand of Storetech Industries. Storetech Industries is a family owned business that has been operating since 1974.

## Core Values

### Internal

Passion - Attention To Detail  
Trust - Team Players

### External

Greater Customer Experience - Trust  
Loyalty - Effort - Excellence

## Our Mission

To make sure New Zealanders can be confident that their outdoor equipment and personal environment is secure and protected by offering New Zealand's widest range of simple, modular fencing solutions while adhering to our core values.



Ben Carney - Owner/Director



Peter Carney - Owner/Director

**BelAire**<sup>®</sup>  
DESIGNER FENCING



Click on the below areas of the catalogue to direct you to that page.

## Frameless Glass Fencing and Balustrade

- Introduction
- Frameless Glass Pool Fencing Panels
- Frameless Glass Balustrade Panels
- Frameless Glass Gate & Hinge Panels
- Wind Zones
- Friction Spigot Range
- Friction Channel System
- Gate Hardware: Latches & Hinges
- Clamps & Handrails
- Glass Fencing Projects



## Aluminium Fencing and Screen Systems

- Introduction
- Slat Fencing
- Modular Bin and Utility Screens
- Uglee Bin Screens
- Louvre Fencing
- Oblique Fencing
- Slat Fencing Projects



## Aurora Panel Fencing

- Introduction
- Pool & Landscape Panels
- Slat Spacing
- Pool Panel Designs
- Landscape Panel Designs



## Solid Panel Fencing

- Introduction
- Classic Solid Panel Fencing
- Signature Solid Panel Fencing
- Estate Solid Panel Fencing
- Solid Wall Capping Options
- Solid Panels
- Infill Panel Options
- Solid Panel Projects



## Commercial Acoustic Barriers

- Introduction
- Acoustic Field Test Report
- Acoustic Barrier Posts & Panels
- Barriers up to 3.0m high
- Barriers 3.1m – 5.1m high
- Acoustic Barrier Projects



## Colour Wall Steel Fencing

- Frontier Fencing
- Borderline Fencing



## Gates

- Slat Gates
- Eco Slat Gate Kits
- Louvre Gates
- Solid Panel Gates
- Aurora Gates
- Sliding Gates
- Hinged Gates
- Pool Hinge & Latch Set





# Frameless Glass Fencing & Balustrade

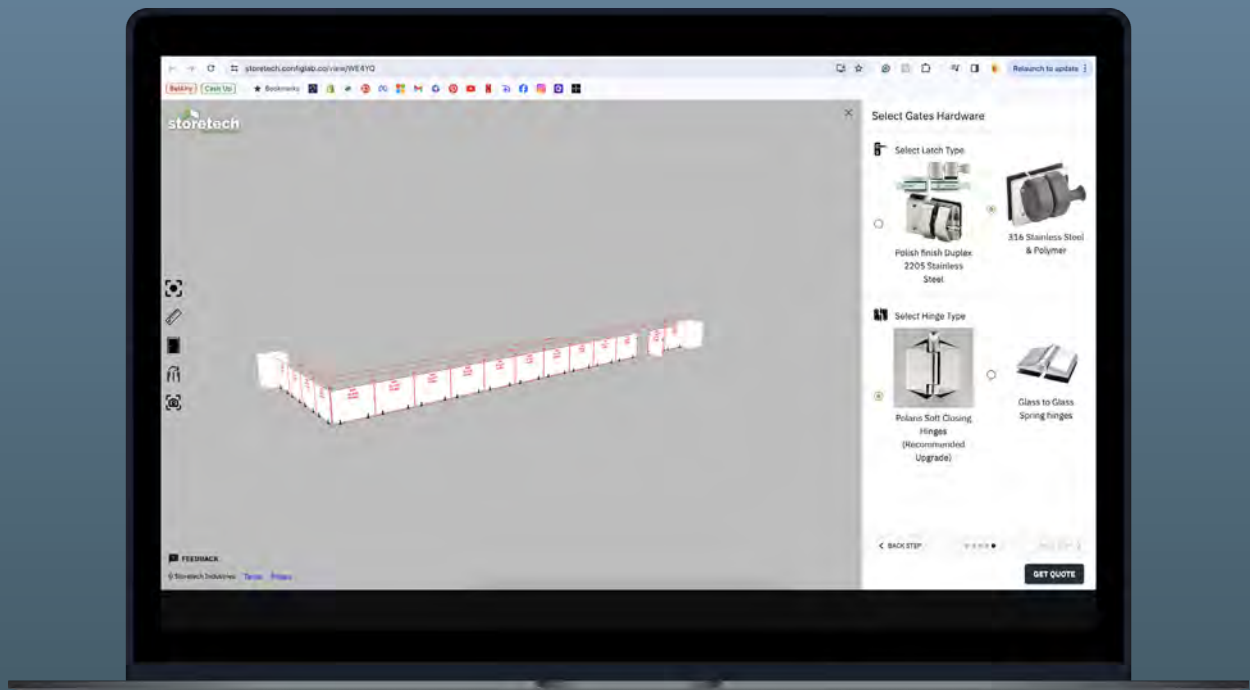


Scan to view all  
Belaire fence drawings

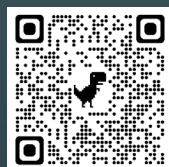
BelAire®  
DESIGNER FENCING

*...make it your own!*

# Have you tried out our new 3D Glass Builder?



Now you can build your very own glass fencing right in front of your eyes, to the exact specification you need.



Scan the QR Code to start building today.



BelAire®  
DESIGNER FENCING

*...make it your own!*

AS/NZS2208  
Grade A TF  
ID 7777

# Frameless Glass Fencing & Balustrade

## CLEAR

BelAire frameless glass pool fencing and balustrade is invisibly superior – it's crystal clear without the green tint you get with inferior brands. Enjoy lounging by the pool or on the deck with nothing to interrupt your view. Relax behind a strong, effective wind barrier and take in all-day sunshine as BelAire glass casts no shadows!

## SAFE

With uninterrupted views, you'll always be able to keep your eye on the kids as they play in the pool. With 12mm thick toughened safety glass and polished bevel edges, you'll know they'll also be safe and sound outside the fence. Our gates use a self-closing hinge with a side pull latch, so you'll know they'll never be left open by mistake.

## VERSATILE

BelAire can be installed on a variety of surfaces, including tiled areas, pavers, timber decks, concrete and across landscaped areas – making it a truly versatile option for pools, water features, patios, decking, and natural environments. The modern architectural look can also be customised from our selection of elegant, corrosion-resistant mini posts, latches and hinges to match your property.

## EASY

It's so simple to clean and maintain – with no frames to collect water and dust, with corrosion-resistant hardware throughout, it will remain sparkling with minimum effort.

It's simple to install – most home owners would find the system quick and easy to install using basic tools that they would have in their shed. If you'd rather get someone else to install it, we have a list of preferred installers throughout New Zealand. Call us on 0800 235 2473 and we will put you in touch with an installer in your area.

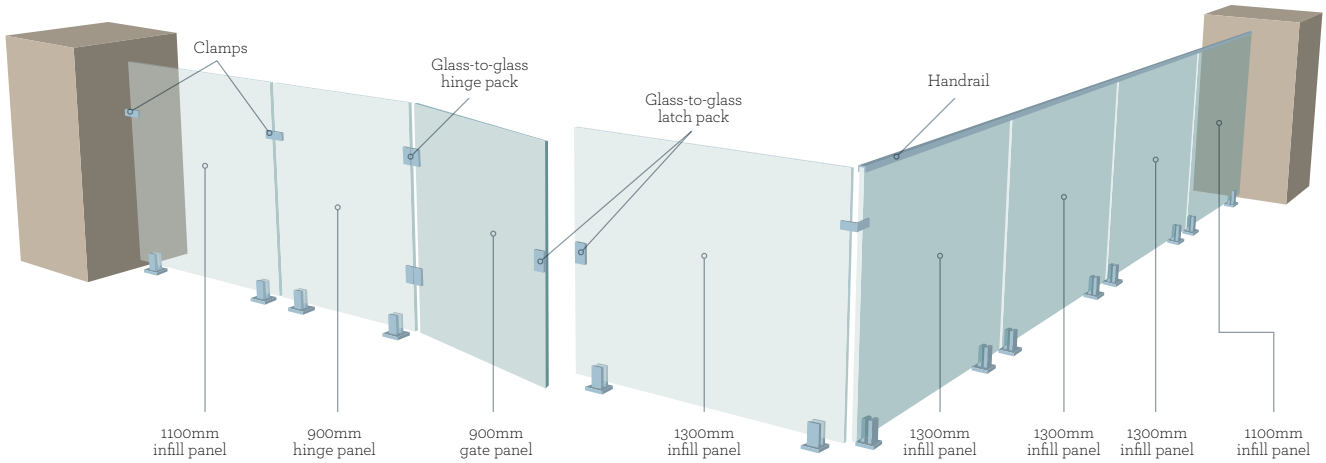
## COMPLIANT

Our toughened safety glass that comes with the PAS Mark AS/NZS2208 marking on every panel and is F4 and F9 Building Code compliant. Should you require a PS1 (or an Extra High Wind Zone PS1) to submit with your pool or building permit request, please email us at [info@belairefencing.co.nz](mailto:info@belairefencing.co.nz)

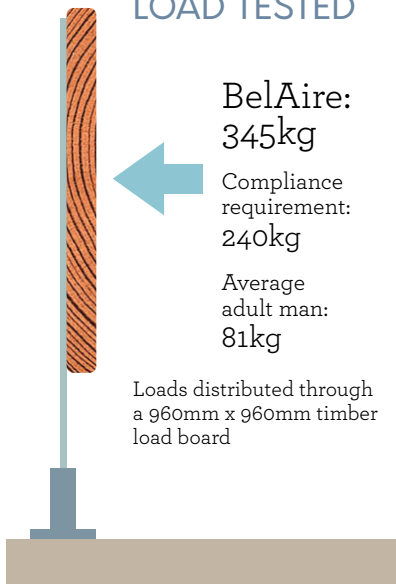
You will require a handrail on your balustrade or pool fencing if there is a drop of more than 1m on one side. BelAire slimline handrails are manufactured from polished stainless steel to create a sophisticated finish that does not diminish the appearance of your glass fencing. They are also very strong and fully compliant to NZS4223:2016.



# EXAMPLE CONFIGURATION



## INDEPENDENTLY LOAD TESTED



## GENERAL FEATURES

- 12mm toughened safety glass
- New Zealand standards compliant
- 10 year warranty
- DIY instructions included

### Compliant with:

**F4 and F9** Building Code compliant.

### AS/NZS2208: 1996

New Zealand standards for safety glass manufacturing

### NZS 8500

Safety barriers and fences around swimming pools, spas and hot tubs

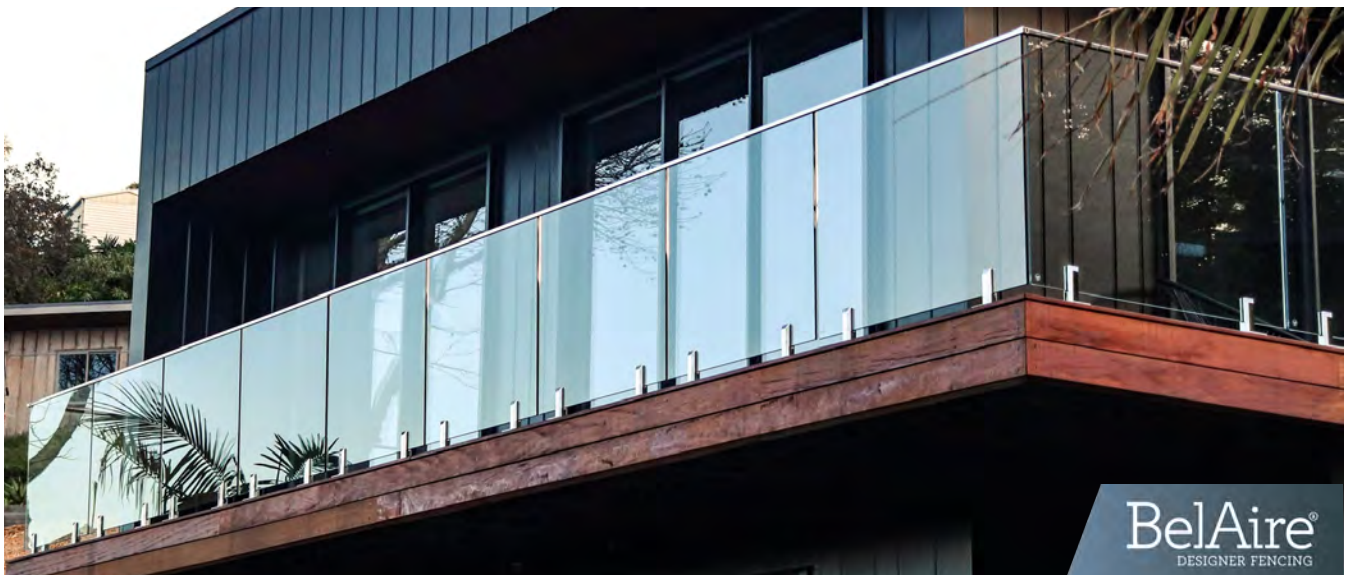
### NZS 4223.3:2016

Approved Balustrade Handrail

## SOFT, NOT SLAMMED

Even though BelAire gates are made from toughened safety glass, a slammed glass gate will always put you on edge. Relax. Upgrade to glass-to-glass or glass-to wall **Polaris soft-closing hinges**, and you'll never hear the bang of a slammed gate again!

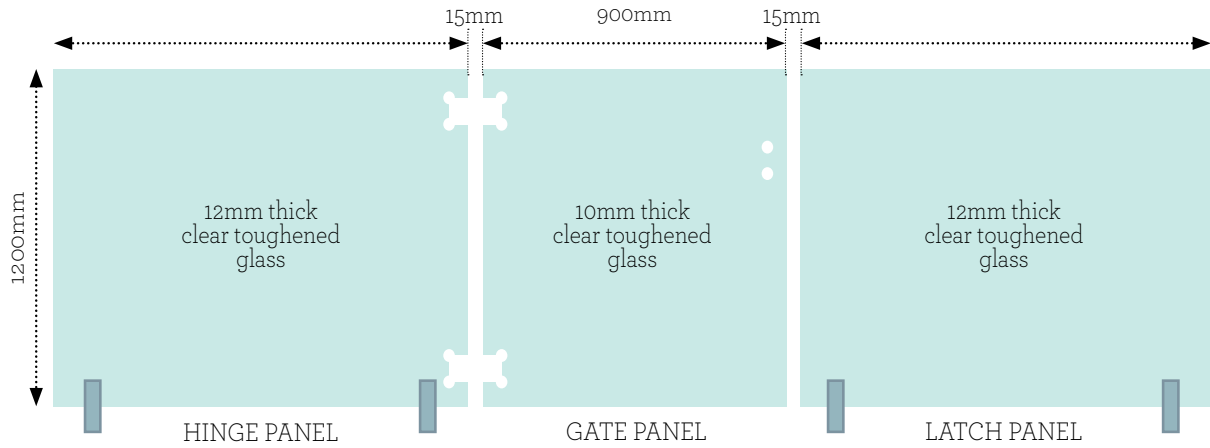
**Choose to upgrade to Polaris soft-closing hinges when you order online, or just talk with one of our friendly sales representatives.**



# FRAMELESS GATE LAYOUTS

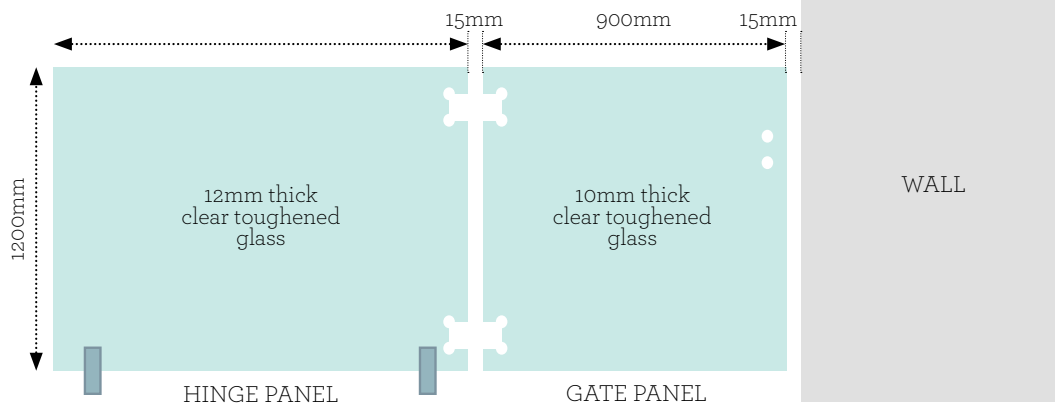
## GLASS-TO-GLASS HINGES & GLASS-TO-GLASS LATCH

- Hinge panel available widths: 900/1100/1300/1450/1600mm
- Use a friction latch. Any size panel can be used as a latch panel



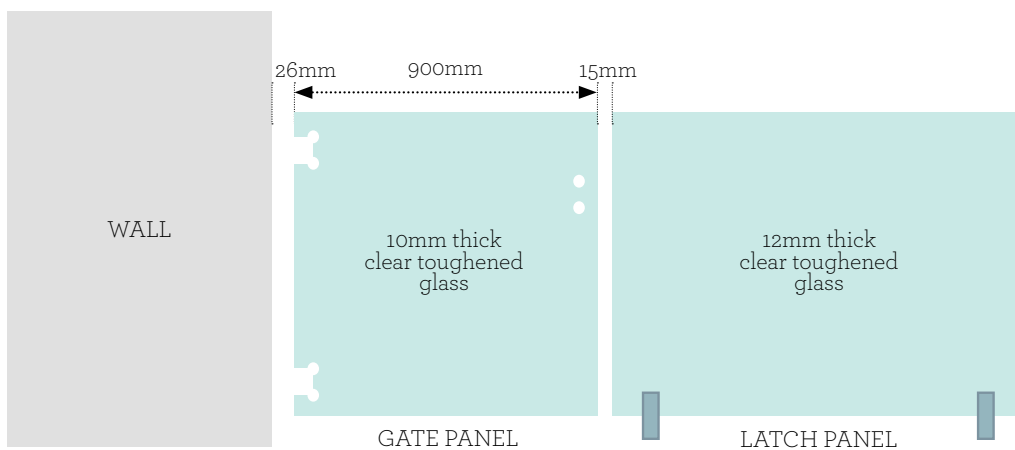
## GLASS-TO-GLASS HINGES & WALL/POST GATE LATCH

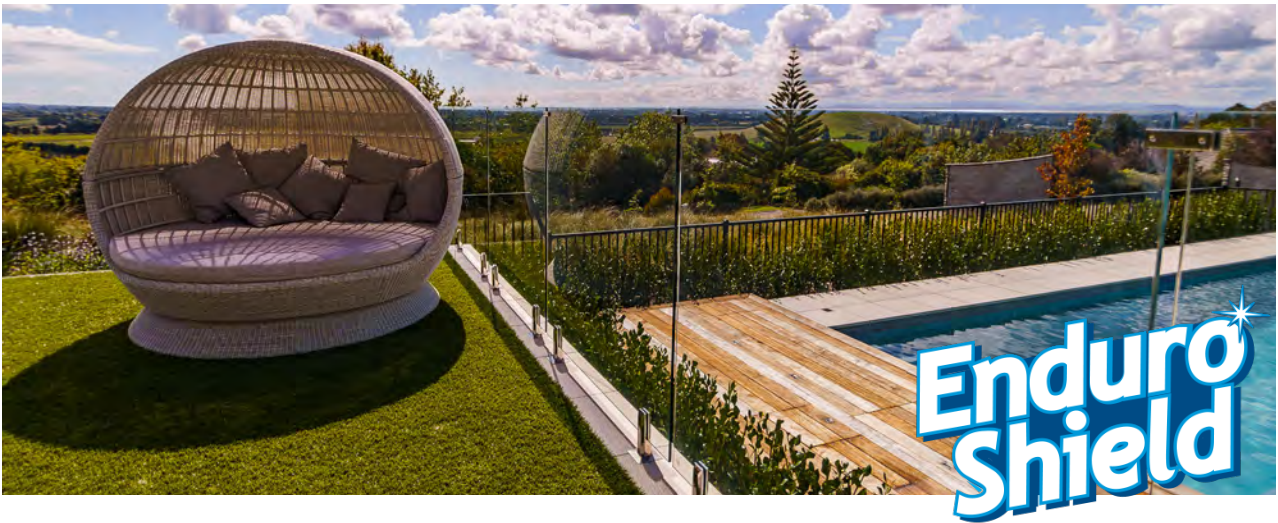
- Hinge panel available widths: 900/1100/1300/1450/1600mm



## WALL/SQUARE POST GLASS HINGES & GLASS-TO-GLASS LATCH

- Use a friction latch. Any size panel can be used as a latch panel





# The World's Leading Glass Treatment

## ULTIMATE PROTECTION

Optically clear, UV stable, chemical resistant, water and oil repellent.

## LOW SERVICING COSTS

EnduroShield keeps glass visibly clearer for longer and reduces time to clean the glass by 90%.

## HIGHLY DURABLE

Permanently bonds to the glass and comes with a true 10 year performance warranty\*

## SUITS ALL GLASS RANGES

From balustrading to pool fencing, high rise and domestic glazing, shower screens and insulated glass units, EnduroShield is the smart choice for glass.

### Silicone based coating

Competitor products fill in hills & valleys of the glass.



### EnduroShield Coating

EnduroShield follows hills & valleys of the glass.



Silicone based seals sit on top of the glass surface and can quickly wear off, leaving the surface unprotected. EnduroShield follows the hills and valleys of the glass, forming a strong, permanent\* bond that does not flake or peel.

## TESTING AND CERTIFICATION

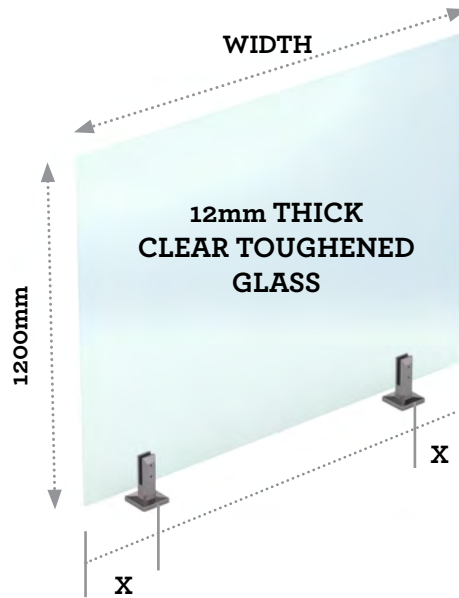
\*EnduroShield's performance has been independently tested by one of the leading global testing and certification houses, TÜV Rheinland in Germany for durability, easy-clean functionality, safety and quality. Testing was carried out to simulate a lifetime of 10 years on glass for both interior and exterior use, and EnduroShield passed all tests.



- Easy to clean
- Durability tested

\*Contact us for warranty info and terms and conditions.

# FRAMELESS GLASS FENCING PANELS

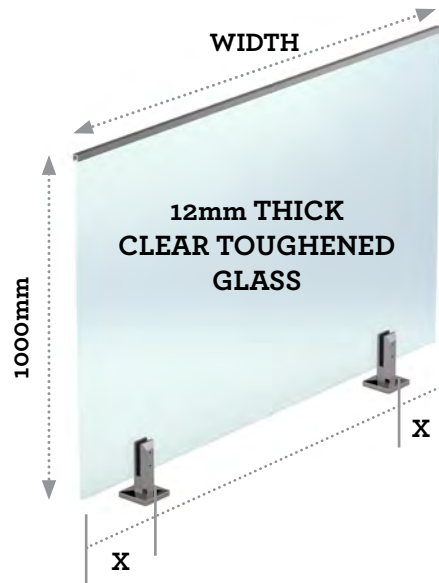


Order Code	Width	Height	Distance from Edge to Spigot (X)	Thickness	Sqm	Glass Weight KGS	Corner Radius
SCE0312PP	300mm	1200mm	75mm	12mm	0.36	11kg	2mm
SCE0412PP	400mm	1200mm	75mm	12mm	0.48	14kg	2mm
SCE0512PP	500mm	1200mm	100mm	12mm	0.60	18kg	2mm
SCE0612PP	600mm	1200mm	100mm	12mm	0.72	22kg	2mm
SCE0712PP	700mm	1200mm	100mm	12mm	0.84	25kg	2mm
SCE0812PP	800mm	1200mm	150mm	12mm	0.96	29kg	2mm
SCE08512PP	850mm	1200mm	150mm	12mm	1.02	30.6kg	2mm
SCE0912PP	900mm	1200mm	150mm	12mm	1.08	32kg	2mm
SCE09512PP	950mm	1200mm	150mm	12mm	1.14	34.2kg	2mm
SCE1012PP	1000mm	1200mm	150mm	12mm	1.20	36kg	2mm
SCE10512PP	1050mm	1200mm	150mm	12mm	1.26	37kg	2mm
SCE1112PP	1100mm	1200mm	150mm	12mm	1.32	38kg	2mm
SCE11512PP	1150mm	1200mm	150mm	12mm	1.38	41kg	2mm
SCE1212PP	1200mm	1200mm	150mm	12mm	1.44	43kg	2mm
SCE12512PP	1250mm	1200mm	200mm	12mm	1.50	45kg	2mm
SCE1312PP	1300mm	1200mm	200mm	12mm	1.56	47kg	2mm
SCE13512PP	1350mm	1200mm	200mm	12mm	1.62	49kg	2mm
SCE1412PP	1400mm	1200mm	250mm	12mm	1.68	50kg	2mm
SCE14512PP	1450mm	1200mm	250mm	12mm	1.74	53kg	2mm
SCE1512PP	1500mm	1200mm	250mm	12mm	1.80	54kg	2mm
SCE15512PP	1550mm	1200mm	250mm	12mm	1.86	56kg	2mm
SCE1612PP	1600mm	1200mm	250mm	12mm	1.92	58kg	2mm
*SCE12175PP	1200mm	1750mm	250mm	12mm	2.10	63kg	2mm

\* This panel is specifically for when a pool fence meets a boundary fence (PS1 available)



# FRAMELESS GLASS BALUSTRADE PANELS



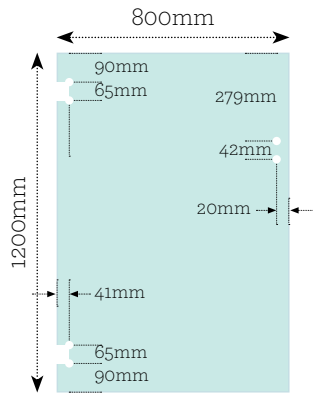
Order Code	Width	Height	Distance from Edge to Spigot (X)	Thickness	Sqm	Glass Weight KGS	Corner Radius
SCE0610BP	600mm	1000mm	100mm	12mm	0.60	18kg	2mm
SCE0710BP	700mm	1000mm	100mm	12mm	0.70	21kg	2mm
SCE0810BP	800mm	1000mm	150mm	12mm	0.80	24kg	2mm
SCE08510BP	850mm	1000mm	150mm	12mm	0.85	25.5kg	2mm
SCE0910BP	900mm	1000mm	150mm	12mm	0.90	27kg	2mm
SCE09510BP	950mm	1000mm	150mm	12mm	0.95	28.5kg	2mm
SCE1010BP	1000mm	1000mm	150mm	12mm	1.00	30kg	2mm
SCE10510BP	1050mm	1000mm	150mm	12mm	1.05	31.5kg	2mm
SCE1110BP	1100mm	1000mm	150mm	12mm	1.10	33kg	2mm
SCE11510BP	1150mm	1000mm	150mm	12mm	1.15	34.5kg	2mm
SCE1210BP	1200mm	1000mm	150mm	12mm	1.2	36kg	2mm
SCE12510BP	1250mm	1000mm	200mm	12mm	1.25	37.5kg	2mm
SCE1310BP	1300mm	1000mm	200mm	12mm	1.3	39kg	2mm
SCE13510BP	1350mm	1000mm	200mm	12mm	1.35	40.5kg	2mm
SCE1410BP	1400mm	1000mm	250mm	12mm	1.4	42kg	2mm
SCE14510BP	1450mm	1000mm	250mm	12mm	1.45	43.5kg	2mm
SCE1510BP	1500mm	1000mm	250mm	12mm	1.5	45kg	2mm
SCE15510BP	1550mm	1000mm	250mm	12mm	1.55	46.5kg	2mm
SCE1610BP	1600mm	1000mm	250mm	12mm	1.6	48kg	2mm



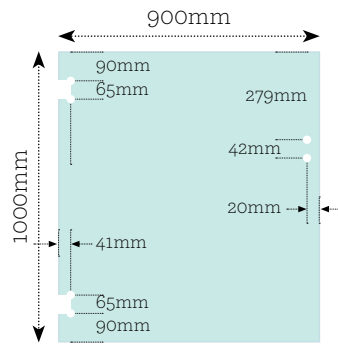
# FRAMELESS GLASS GATE & HINGE PANELS

## BELAIRE GATE PANELS

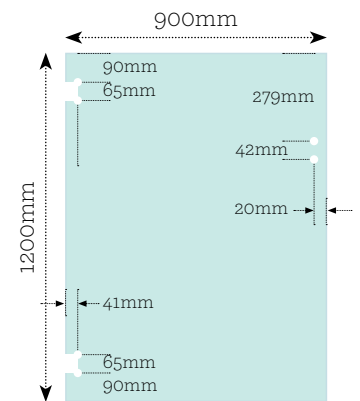
- 8 & 10mm thick clear toughened glass
- Corner radius: 2mm
- 10mm supplied as standard



Order Code: SCE0812GP PH  
Glass weight: 19.9kg



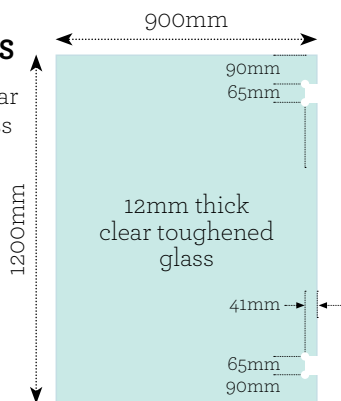
Order Code: SCE0910GP PH  
Glass weight: 21.6kg



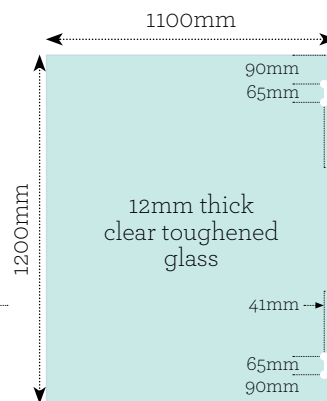
Order Code: SCE0912GP PH  
Glass weight: 28kg

## BELAIRE HINGE PANELS

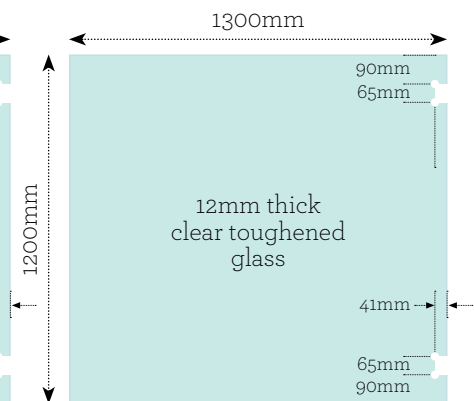
- 12mm thick clear toughened glass
- Corner radius: 2mm



Order Code: SCE0912HP PH  
Glass weight: 32.4kg



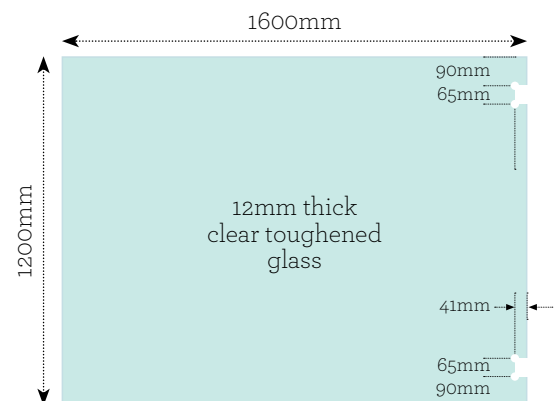
Order Code: SCE1112HP PH  
Glass weight: 38kg



Order Code: SCE1312HP PH  
Glass weight: 46.8kg



Order Code: SCE14512HP PH  
Glass weight: 52.2kg



Order Code: SCE1612HP PH  
Glass weight: 58kg





\* Extra high wind zone

# WIND ZONES

Wind regions for BelAire spigots to suit occupancy A,B, E, and C3

NZS 3604 divides New Zealand into two wind regions (A and W) and several lee zone areas – these are areas where the landforms create localised wind acceleration resulting in higher wind speeds than the rest of the region.

It also classifies wind zones into categories, set out in the following table, according to maximum ultimate limit state speeds.

Wind zone classifications (from NZS 3604 Timber framed buildings)

Classification	Maximum ultimate limit state speed
Low	Below 32 m/s
Medium	37 m/s
High	44 m/s
Very high	50 m/s
Extra high	55 m/s
Specific design (SD)	Over 55 m/s

## Pool Fencing - Max Panel Size & Spigot Quantity

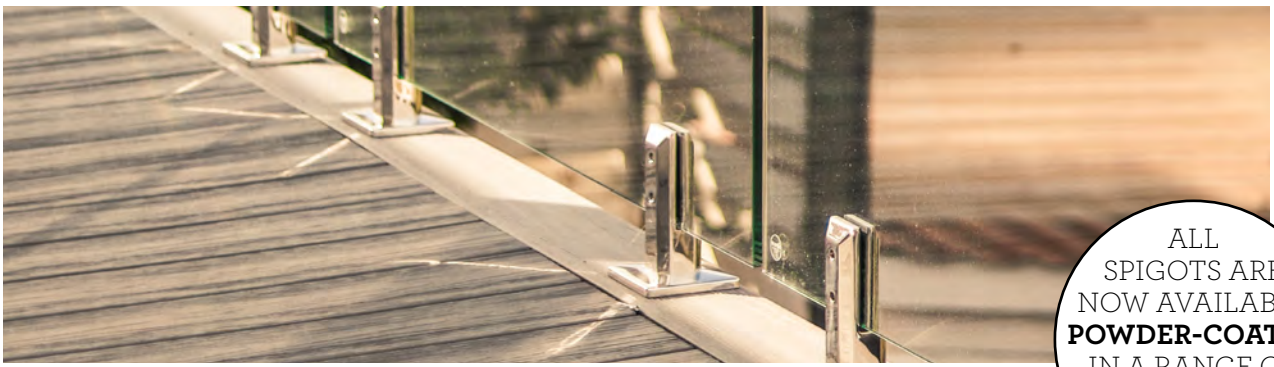
Min 1200mm High

	Tekapo	Milford	Kaweka	Aoraki	Rakaia Channel
Up to Very High Wind Regions	1600W x 1200H (2 Spigots) 1250W x 1350H (2 Spigots) 1600W x 1350H (3 Spigots)	1600W x 1200H (2 Spigots) 1250W x 1350H (2 Spigots) 1600W x 1350H (3 Spigots)	1600W x 1200H (2 Spigots) 1250W x 1350H (2 Spigots) 1600W x 1350H (3 Spigots)	1100W x 1200H (2 Spigots) 1600W x 1200H (3 Spigots)	1600W x 1350H
Extra High Wind Regions	1350W x 1200H (2 Spigots) 1600W x 1200H (3 Spigots)	1350W x 1200H (2 Spigots) 1600W x 1200H (3 Spigots)	1350W x 1200H (2 Spigots) 1600W x 1200H (3 Spigots)	900W x 1200H (2 Spigots)	1600W x 1350H

## Balustrade With Handrail - Max Panel Size & Spigot Quantity

Min 1000mm High

	Tekapo	Milford	Kaweka	Aoraki	Rakaia Channel
Up to Very High Wind Regions	1400W x 1200H (2 Spigots)	1400W x 1200H (2 Spigots)	1400W x 1200H (2 Spigots)	900W x 1200H (2 Spigots) 1400W x 1200H (3 Spigots)	1600W x 1350H
Extra High Wind Regions	1600W x 1000H (2 Spigots) 1600W x 1200H (3 Spigots)	1600W x 1000H (2 Spigots) 1600W x 1200H (3 Spigots)	1600W x 1000H (2 Spigots) 1600W x 1200H (3 Spigots)	900W x 1200H (2 Spigots)	1600W x 1350H



ALL SPIGOTS ARE NOW AVAILABLE POWDER-COATED IN A RANGE OF DULUX COLOURS\*

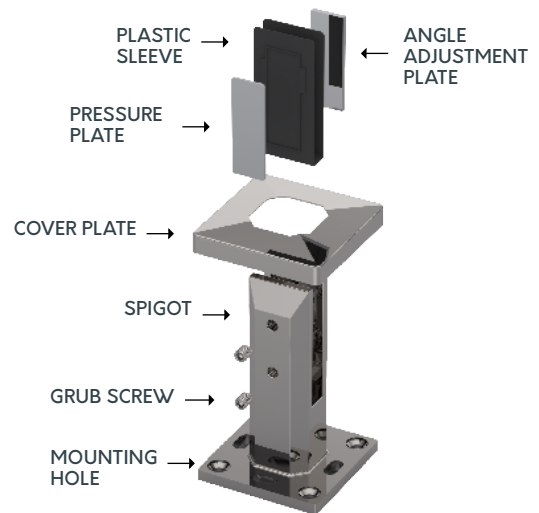
# TEKAPO BASE PLATE SPIGOT

## Duplex 2205 Stainless Steel

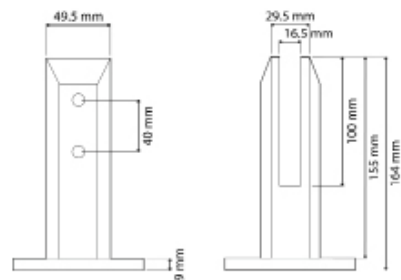
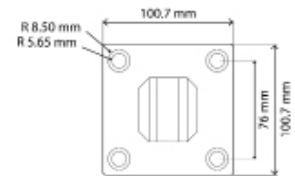
**BASE PLATED Spigot**  
**Polish Finish** Code: SCEPSSP  
**Black Finish** Code: SCEPSSP B  
**Satin Finish** Code: SCEPPSP  
**COVER PLATE**  
 Polished, Black or Satin Finish



### SPIGOT PARTS



### SPIGOT DIMENSIONS



### SPIGOT FIXINGS

#### CONCRETE

**SCECCSA**  
M8 Concrete Screw anchor

**SCETHR8 & SCE8BRLNUT**  
Threaded rod and barrel nut requires chermset

#### TIMBER

**SCETCSK**  
Timber CSK screw



### DECK LAYOUT

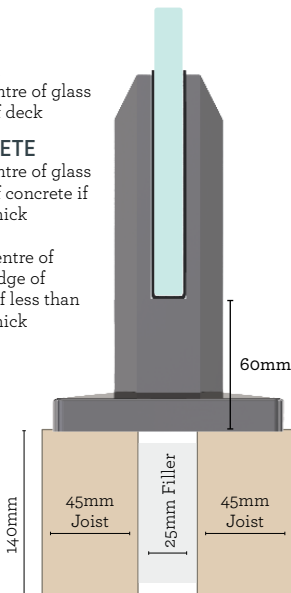
Please take into account the distance from the edge of decking/ concrete to the centre of glass on internal and external corners.

#### TIMBER

60mm centre of glass to edge of deck

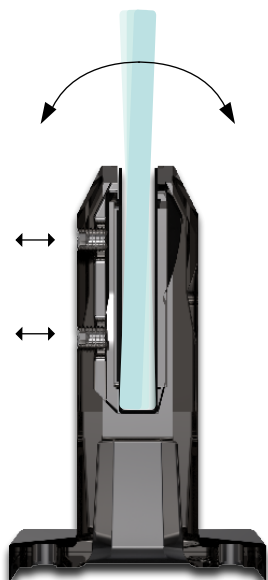
#### CONCRETE

90mm centre of glass to edge of concrete if 200mm thick  
 OR  
 140mm centre of glass to edge of concrete if less than 200mm thick



### ANGLE ADJUSTMENT

Easily adjust the angle of glass panels in the Tekapo Spigot by tightening the top or bottom grub screw against the adjustment plate.



\*\*1yr Warranty on powder-coated spigots.



ALL SPIGOTS ARE NOW AVAILABLE POWDER-COATED IN A RANGE OF DULUX COLOURS\*

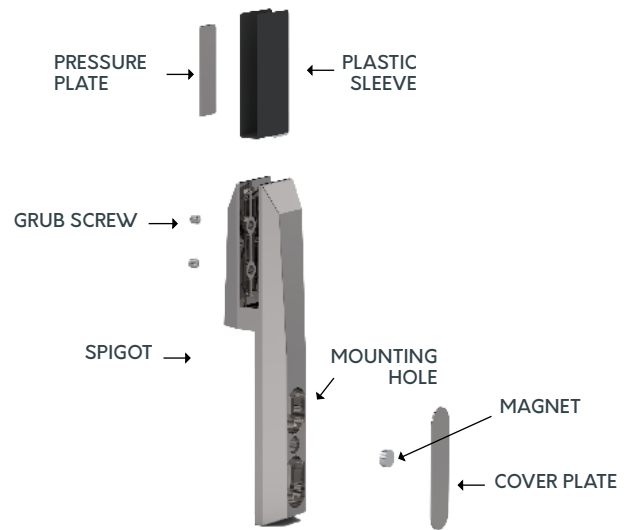
# KAWEKA SIDE MOUNT SPIGOT

## Duplex 2205 Stainless Steel

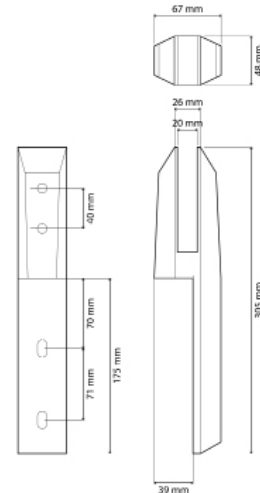
**SIDE MOUNT Spigot**  
**Polish Finish** Code: SCESMS24  
**Black Finish** Code: SCESMS24 B  
**Stainless Satin Finish** Code: SCESMS S



### SPIGOT PARTS

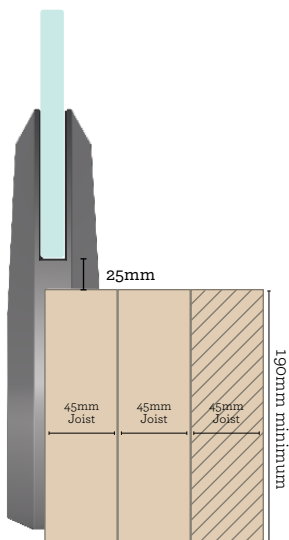


### SPIGOT DIMENSIONS



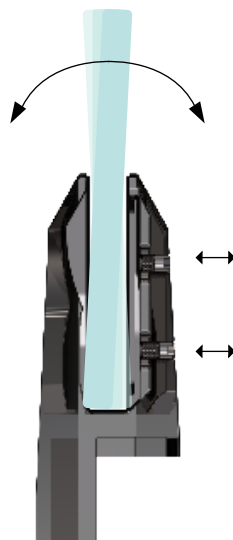
### DECK LAYOUT

The glass sits flush with the outside of the deck, so use the dimensions of the deck to work out the glass panels.



### ANGLE ADJUSTMENT

Easily adjust the angle of glass panels in the Kaweka Spigot by tightening the top or bottom grub screw against the adjustment plate.



### SPIGOT FIXINGS

#### CONCRETE

SCECHSA-K  
M12 Concrete Screw



#### TIMBER

SCETHX  
Timber HEX screw



\*\*1yr Warranty on powder-coated spigots.



ALL SPIGOTS ARE NOW AVAILABLE POWDER-COATED IN A RANGE OF DULUX COLOURS\*

# MILFORD BASE PLATE SPIGOT

## Duplex 2205 Stainless Steel

**BASE PLATED Spigot**  
**Polish Finish** Code: SCEPSOP  
**Black Finish** Code: SCEPSOP B  
**COVER PLATE**  
 Polished, Black or Satin Black Finish

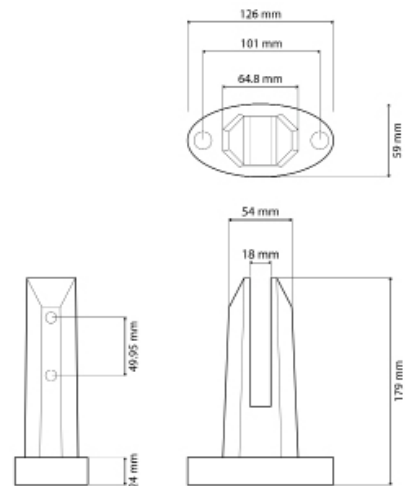


Optional 34mm cover plate on available on request

### SPIGOT PARTS



### SPIGOT DIMENSIONS



### DECK LAYOUT

Please take into account the distance from the edge of decking/ concrete to the centre of glass on internal and external corners.

#### TIMBER

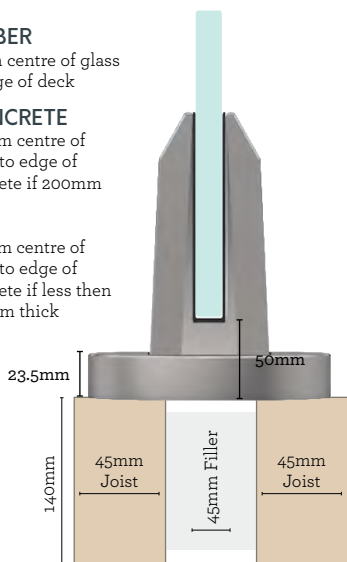
75mm centre of glass to edge of deck

#### CONCRETE

120mm centre of glass to edge of concrete if 200mm thick

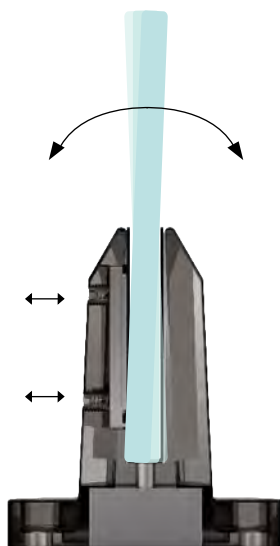
OR

150mm centre of glass to edge of concrete if less than 200mm thick



### ANGLE ADJUSTMENT

Easily adjust the angle of glass panels in the Milford Spigot by tightening the top or bottom grub screw against the adjustment plate.



### SPIGOT FIXINGS

#### CONCRETE

**SCECHSA**  
M12 Concrete Screw anchor



**SCETHR12**  
Threaded rod and nut with chemset



#### TIMBER

**SCETHX**  
Timber HEX screw



\*\*1yr Warranty on powder-coated spigots.



ALL SPIGOTS ARE NOW AVAILABLE POWDER-COATED IN A RANGE OF DULUX COLOURS\*

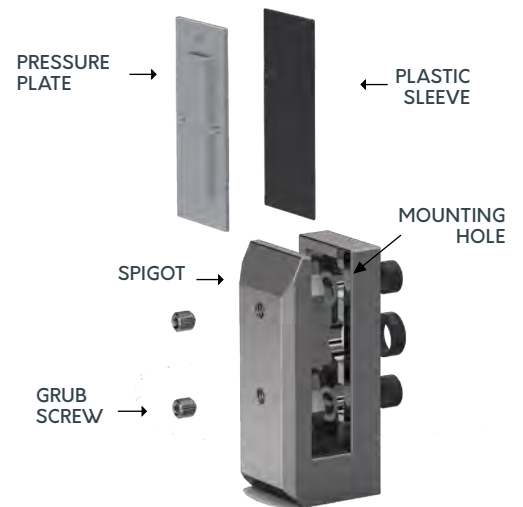
# AORAKI FACE MOUNT SPIGOT

Duplex 2205 Stainless Steel

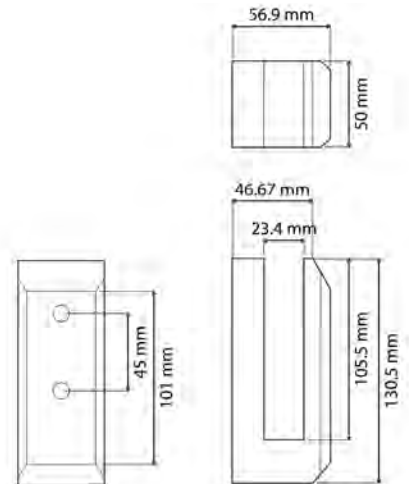
**FACE MOUNTED Spigot - FRICTION FIT**  
**Polish Finish** Order Code: SCEFMS  
**Black Finish** Order Code: SCEFMS B



## SPIGOT PARTS



## SPIGOT DIMENSIONS



## SPIGOT FIXINGS

### CONCRETE

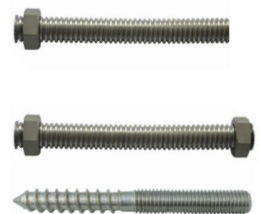
2 x 12mm  
 SS Threaded rod secured with Chemset, Washers and Nut

### TIMBER

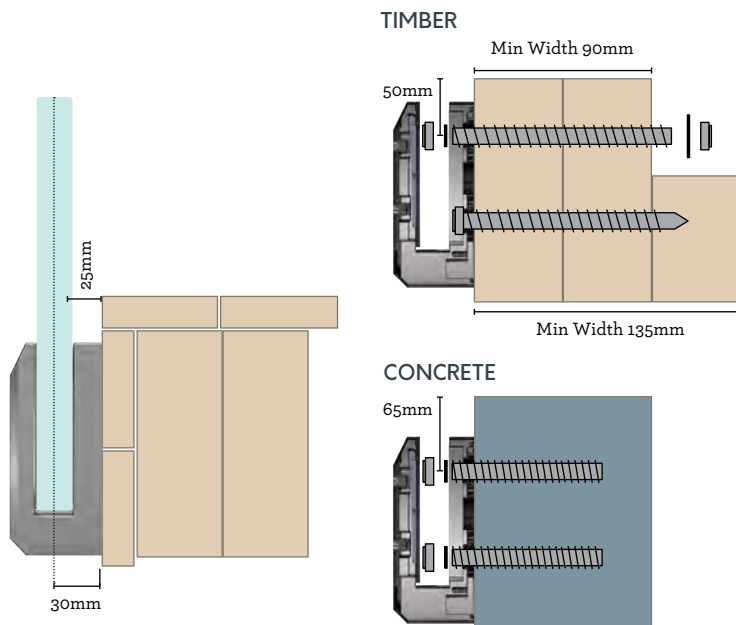
2 x 12mm  
 SS Threaded rod secured with Washers and Nuts

Or

2x Hex Head Lag Screws



## DECK LAYOUT OPTIONS



\*\*1yr Warranty on powder-coated spigots.

# TEKAPO CORE DRILL SPIGOT

## Duplex 2205 Stainless Steel

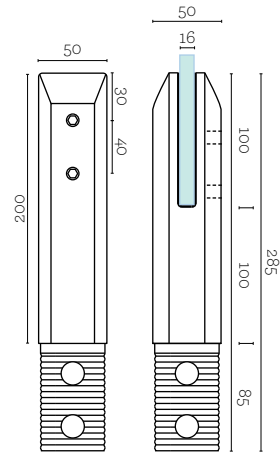


Polish Finish

Black Finish

**CORE DRILL Spigot** - FRICTION FIT  
**Polish Finish** Order Code: SCECDS  
**Black Finish** Order Code: SCECDS B

**COVER PLATE**  
**Polish or Black Finish**  
 (Comes with the core drill spigot)



# FIXINGS FOR ALL SPIGOTS

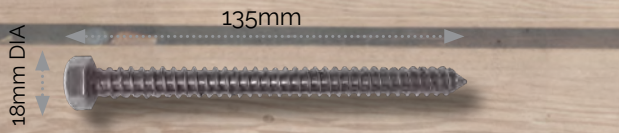
## TIMBER FIXINGS



**Countersunk Timber Screw 140mm Long**  
 Stainless Steel 316 (Hex head drive)

Order Code: SCETCSK

- Self tapping 140mm length with M8 diameter screw
- Spigots: Tekapo, Rakaia Channel



**M12 Coachscrew Timber Screw 135mm**  
 Stainless Steel 316 (Hex head drive)

135mm Order Code: SCETHX (for Kaweka spigots)

- Self tapping 135mm length with M12 diameter screw
- Spigots: Kaweka, Milford



**M10 & M12 Timber Lag Screw 140mm Long**

Stainless Steel 316 (Hex head drive)

Order Code: SCELAG140 (M10 Rakaia Channel)

Order Code: SCELAG160 (M12 Aoraki Spigots)

- Self tapping 140mm or 160mm length
- 2 x M12 nuts or M10 nuts
- Spigots: Aoraki, Rakaia Channel (Bottom Fixing)



**Chemset: SCECHEM Chemset**

Used with SCETHR12 Stainless threaded rod into concrete

## CONCRETE FIXINGS



**M8 Countersunk Concrete Screw ANCHOR 80 & 95mm Long**

Stainless Steel 316 (Torx head drive)

80mm Order Code: SCECCSA80

95mm Order Code: SCECCSA95

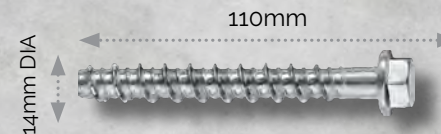
- Self tapping 95mm length with 10mm outer; M8 diameter screw
- Spigots: Tekapo, Rakaia Channel
- Drill a 8mm Hole



**M10 Concrete Wedge anchor x 110mm Stainless steel**

Code: SCECHSA-K

- Spigots: Kaweka



**M12 Concrete Screw Anchor 110mm Long**  
 Stainless Steel 316 (Hex head drive)

Order Code: SCECHSA

- Self tapping 110mm length with 14mm outer; M12 diameter screw
- Spigots: Milford, Kaweka
- Drill a 12mm hole

**Threaded rod**

Stainless Steel 316 (Hex head drive)

M10 Order Code: SCETHR10

(for Rakaia Channel)

M12 Order Code: SCETHR12

(for Milford, Kaweka and Aoraki Spigots)

- Chemset also supplied for concrete applications - ask our sales team for more info

- Drill a 14mm hole when using Chemset

\*Also other items such as Chemset and threaded rod available on request.





FACE  
FLASHING, END  
CAP & DECKING CAP  
**POWDER-COATED**  
IN A RANGE OF  
**DULUX**  
**COLOURS\***

# RAKAIA FRICTION CHANNEL

## 3m & 1.5m Long Channel Kits

The all new Rakaia side mounted friction fitting glass channel system has been designed for the most simple installation method in mind, it also meets and surpasses all compliance that is required for New Zealand regulations.

Its durability is outstanding, having been tested in our own testing facility we were sure blown away at the strength that this system serves.

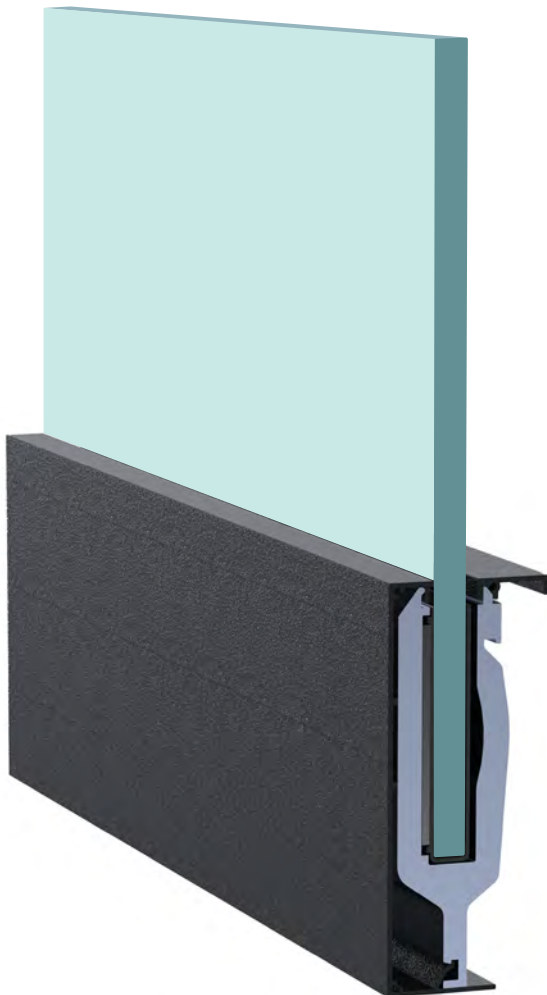
Our durable channel systems provide a modest and continuous design for pool fencing and balustrading.

### RAKAIA CHANNEL - FRICTION FIT

**Timber** Order Code: SCECHT

**Concrete** Order Code: SCECHC

\*Includes channel, powder coated inner and outer covers, plastic insert, pressure plate, grub screws, hanger brackets and mounting screws.



### CHANNEL PARTS

#### ADDITIONAL COMPONENTS

**SCECHGS**

Grub Screws (per unit)

**SCECHCC**

Corner Cap (per unit)

**SCECHEC**

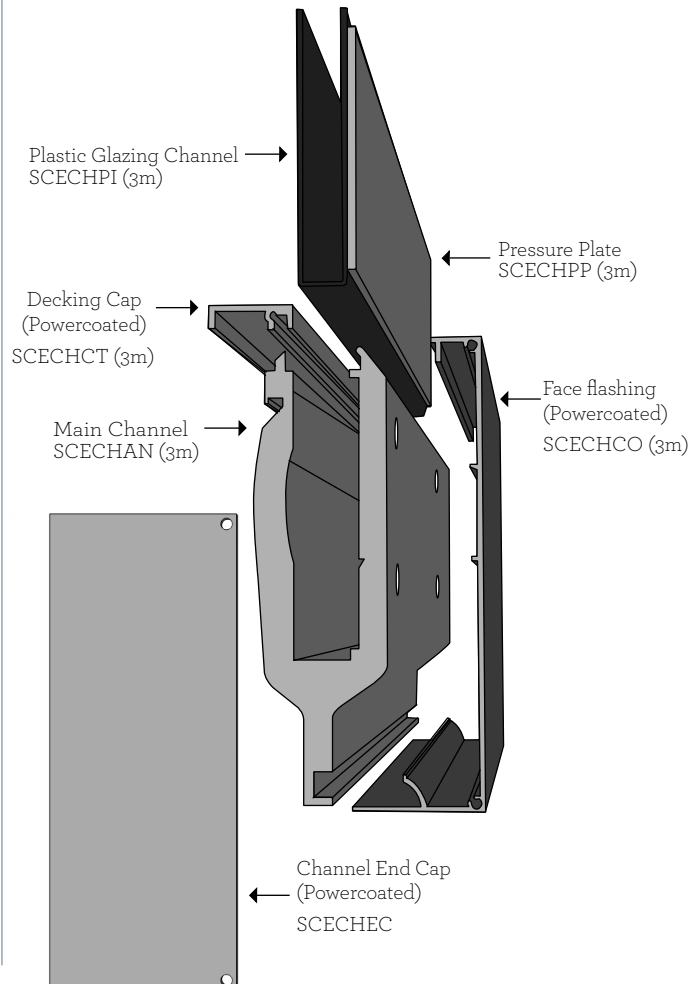
End Cap (per unit)

**SCECHHB**

Hanger Bracket (per unit)

**SCECHJC**

Channel join cover (per unit)





# RAKAIA CHANNEL

## INFINITY LOOK

Very sleek, infinity edge look where you will see no fixings making the channel look like a flashing.

The Channel is made up of a total of 5 different extrusions plus the fixings. The main extrusion which is the channel is formed from a High Tensile Aluminium 6061-T-6

The cover plates are powdercoated to any colour you choose out of the Dulux powdercoated system.

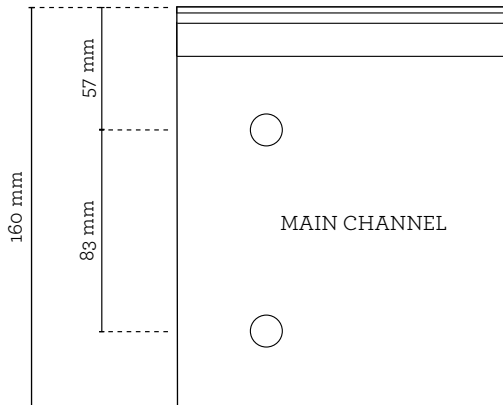
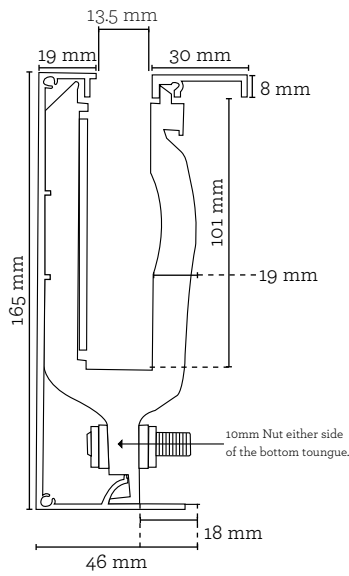
## WIND REGIONS

Suitable for up to Extra High and SED  
Wind zones.

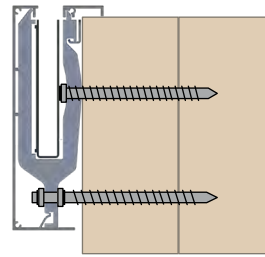
## OCCUPANCY TYPE

Suitable for occupancy types A, B, E and C3  
Occupancy types as per AS/NZ 1170.1.2002

## CHANNEL DIMENSIONS



## DECK LAYOUTS / FIXINGS



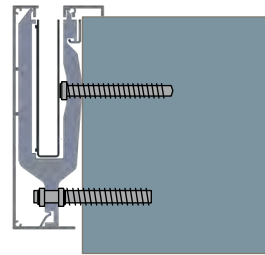
### TIMBER FLUSH MOUNT

#### SCETCSK

Timber CSK screw for the top fixing.

#### SCELAG140

Timber LAG Screw for the bottom fixing.  
Along with 2 x M10  
Nuts to go either side of the bottom Fin  
(as shown below)



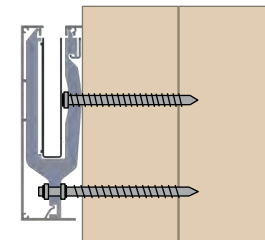
### CONCRETE FLUSH MOUNT

#### SCECCSA

For the top fixing M8 Countersunk concrete screw

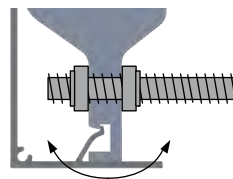
#### SCETHR10

Threaded rod and 2 x  
M10 nuts for the bottom fixing.  
Nuts to go either side of the bottom fin.  
(as shown below)



### SIDE MOUNT OPTION

For the side mount option, all channel components are the same apart from the top deck cap which when ordering will need to be swapped out for part code: SCECHCTN



### ANGLE ADJUSTMENT

Easily adjust the angle of glass panels in the Rakaia Channel by tightening either nuts adjusting the angle of the main channel.



# GATE HARDWARE: LATCHES & HINGES

BelAire offers a 24 month warranty from the moment of purchase on Gate Hardware (Hinges and Latch)

## GLASS-TO-GLASS LATCH KIT

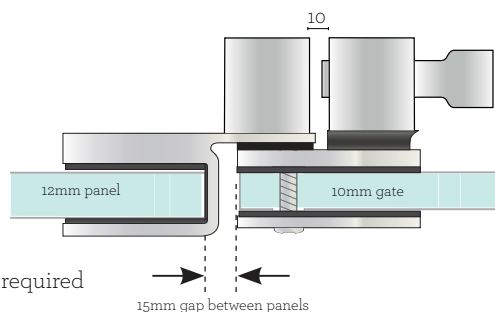
Polish finish Duplex 2205 Stainless Steel



Order Code: SCEHPGL

### SPECIFICATION

- Full stainless steel side pull latch; Duplex 2205 stainless steel
- Friction latch for glass to glass 180 degree application
- Suits 8mm and 10mm glass gates
- Latch panel must be 12mm thick - No latch holes required
- Available in polish finish only



## GLASS-TO-WALL SQUARE POST LATCH KIT

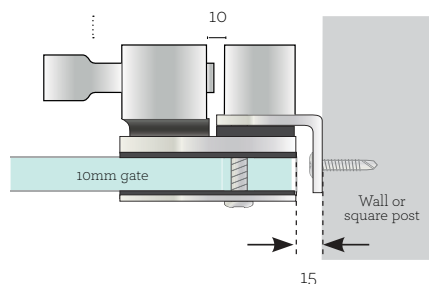
Polish finish Duplex 2205 Stainless Steel



Order Code: SCEHPGWL

### SPECIFICATION

- Full stainless steel side pull latch; 2205 stainless steel
- Suitable for application to wall or square posts
- Suits 8mm and 10mm glass gates
- Available in polish finish only



## GLASS-TO-GLASS 90° LATCH KIT

Polish finish Duplex 2205 Stainless Steel



Showing external latch

**External Order Code:**

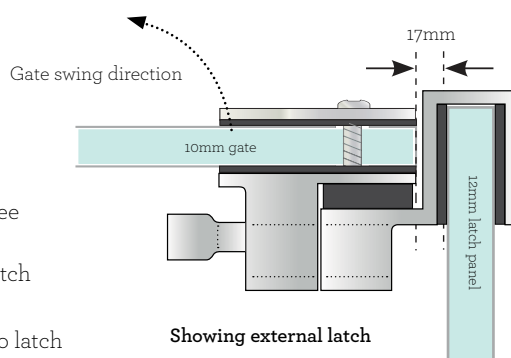
SCEHPGL90EX

**Internal Order Code:**

SCEHPGL90IN

### SPECIFICATION

- Side pull latch glass gate to 90 degree latch panel external fit
- Stainless steel backing plates and latch
- Suits 8mm and 10mm glass gates
- Latch panel must be 12mm thick - no latch holes required



Showing external latch

# GLASS-TO-GLASS LATCH KIT

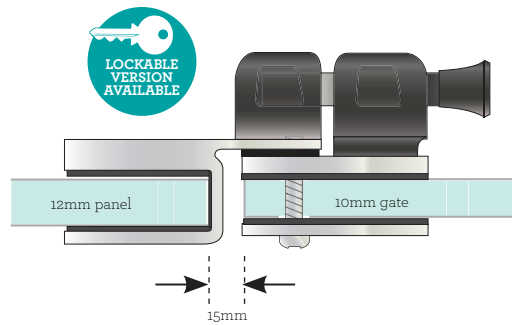
## 316 Stainless Steel & Polymer



**Polish Finish** Order Code: SCEGL  
**Black Finish** Order Code: SCEGL B  
**Satin Finish** Order Code: SCEGL S

### SPECIFICATION

- Side pull latch
- Friction latch for glass to glass 180 degree application
- Stainless steel backing plates + D&D side pull polymer latch
- Suits 8mm and 10mm glass gate
- Latch panel must be 12mm thick - no latch holes required
- Available in polish finish backing plates



# GLASS-TO-GLASS 90° LATCH KIT

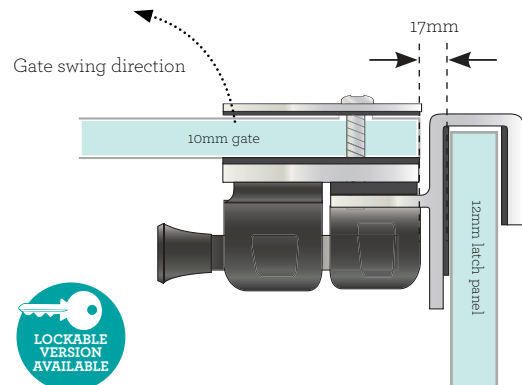
## (external fit) 316 Stainless Steel & Polymer



**Polish Finish** Order Code: SCEGL90EX  
**Black Finish** Order Code: SCEGL90EX B  
**Satin Finish** Order Code: SCEGL90EX S

### SPECIFICATION

- Side pull latch glass gate to 90 degree latch panel external fit
- Stainless steel backing plates + D&D side pull polymer latch
- Suits 8mm and 10mm glass gates
- Latch panel must be 12mm thick - no latch holes required



# GLASS-TO-GLASS 90° LATCH KIT

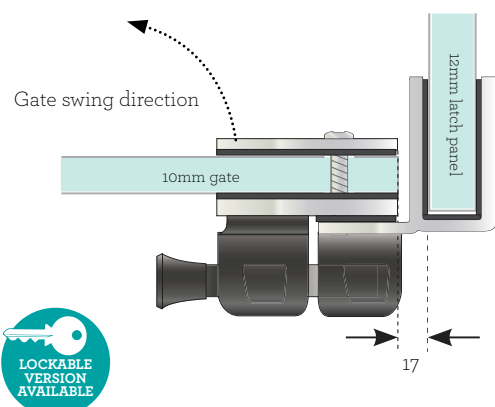
## (internal fit) 316 Stainless Steel & Polymer



**Polish Finish** Order Code: SCEGL90IN  
**Black Finish** Order Code: SCEGL90IN B  
**Satin Finish** Order Code: SCEGL90IN S

### SPECIFICATION

- Side pull latch
- Glass gate to wall/square post application
- Stainless steel backing plates + D&D side pull polymer latch
- Suits 8mm and 10mm glass gates
- Available in satin or polish finish backing plate
- Suits 'internal 90 degree' configuration



# GLASS-TO-WALL/ SQUARE POST LATCH KIT

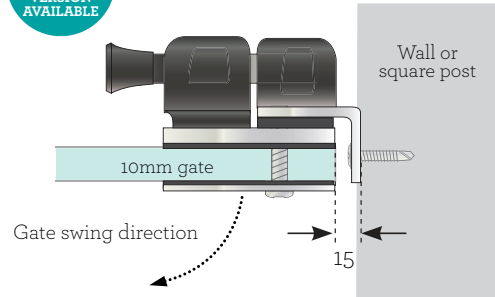
## 316 Stainless Steel & Polymer



**Polish Finish** Order Code: SCEGWL  
**Black Finish** Order Code: SCEGWL B  
**Satin Finish** Order Code: SCEGWL S

### SPECIFICATION

- Side pull latch glass gate to 90 degree latch panel internal fit pull polymer latch
- Stainless steel backing plates + D&D side
- Suits 8mm and 10mm glass gates
- Latch panel must be 12mm thick - no latch holes required
- Available in polish finish backing plate



# GLASS-TO-GLASS HINGES

## (set of 2) Duplex 2205 Stainless Steel

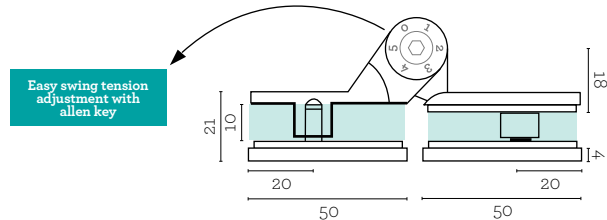
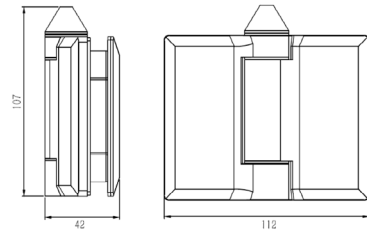


**Polish Finish** Order Code: SCEPHSN  
**Satin Finish** Order Code: SCEPHSN S  
**Black Finish** Order Code: SCEPHS B

### SPECIFICATION

- Glass gate to glass hinge panel
- Stainless steel Duplex 2205
- Suits 8 and 10mm glass gates

- Available in polish finish
- Cone cap incorporated to prevent 'toe hold'
- Includes solid stainless 2205 backing plates for a premium finish



# GLASS-TO-WALL/SQ. POST HINGES

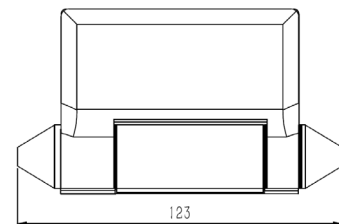
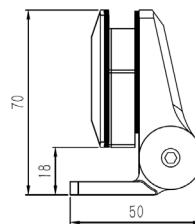
## (set of 2) Polish finish Duplex 2205 Stainless Steel



**Polish Finish**  
 Order Code: SCEHPGWSN  
**Black Finish**  
 Order Code: SCEHPGWS B  
**Satin Finish**  
 Order Code: SCEHPGWS S

### SPECIFICATION

- Glass gate to wall or square post application
- Suits 8 and 10mm glass gates
- Stainless steel Duplex 2205
- Available in polish or satin finish
- Cone cap incorporated to prevent 'toe hold'
- Gap between post or wall and glass gate is min 18mm max 22mm



# POLARIS SOFT CLOSING GLASS-TO-GLASS HINGE

## 125 Series Pool Hinge

**NO SLAMMING!**  
SOFT CLOSING GATE HINGES



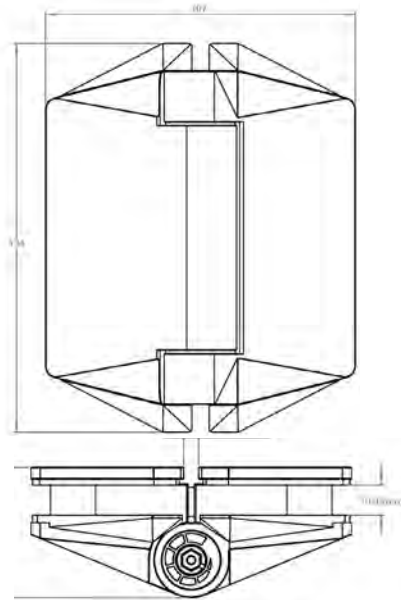
**Polish Finish**  
Order Code: SCEPHGG



**Black Finish**  
Order Code: SCEPHGG B

### SPECIFICATION

- 2205 grade stainless steel
- Self closing pool fence compliant safety hinge
- Suits 10 or 12mm thick glass gates (max 45kg)
- Polish or matt black finish
- Sleek new look
- Revolutionary anti-drop gate packing system which lowers the chance of the gate dropping.



Easy swing tension adjustment with allen key

# POLARIS 125 SERIES GLASS-TO-WALL HINGES

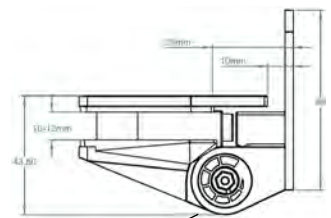
(set of 2) Duplex 2205 Stainless Steel



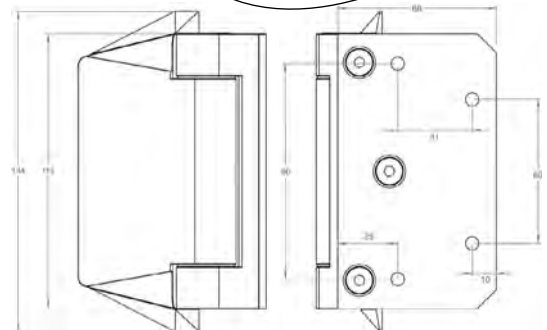
**Polish Finish**  
Order Code: SCEPHGW



**Black Finish**  
Order Code: SCEPHGW B



Easy swing tension adjustment with allen key



### SPECIFICATION

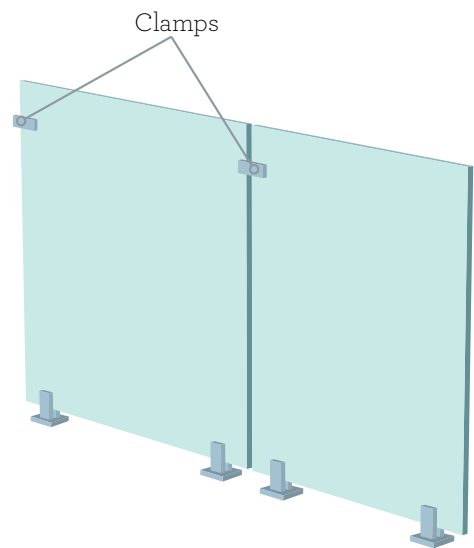
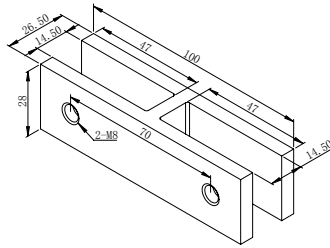
- 2205 grade stainless steel
- Self closing pool fence compliant safety hinge
- Suits 10 or 12mm thick glass gates (max 45kg)
- Polish or Matt Black finish
- Gate opens to 120°
- Sleek new look
- Revolutionary Anti-Drop Gate Packing system which lowers the chance of the gate dropping.
- Gap between post or wall and glass gate is min 26mm max 29mm

# CLAMPS & HANDRAILS

- Contemporary rigidity brackets that are “friction fit” – the glass panels do not require pre-drilled holes.
- All are suitable for 12mm glass.

## SMALL RIGI CLAMP

### 316 Stainless Steel

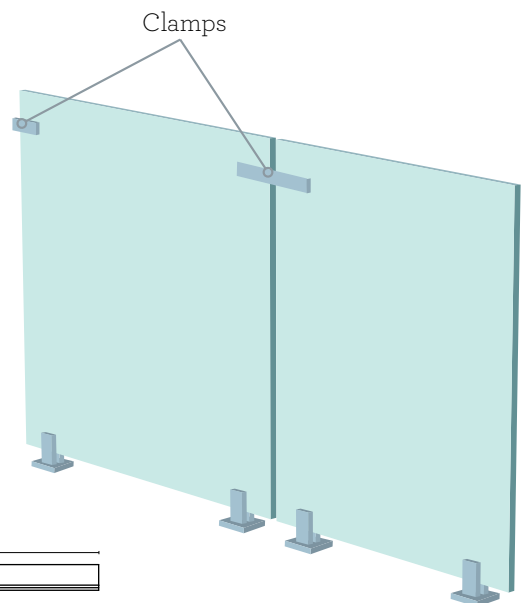
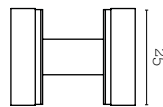


**Polish Finish** Order Code: SCEGGS  
**Black Finish** Order Code: SCEGGS B

- Tightens with an allen key
- Gap between panels: min 18mm / max 40mm

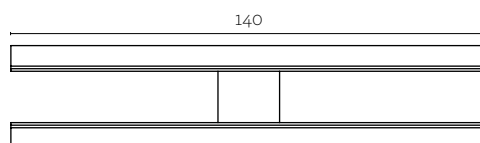
## LARGE RIGI CLAMP

### 316 Stainless Steel



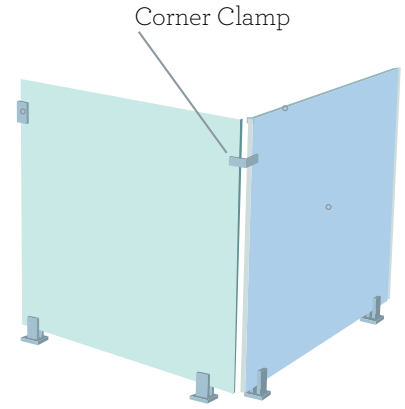
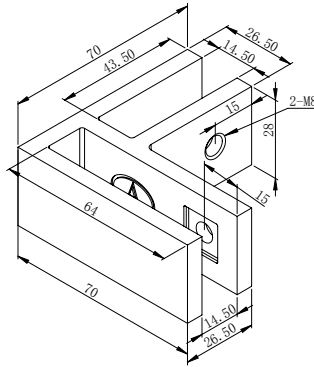
**Polish Finish** Order Code: SCEGGL  
**Black Finish** Order Code: SCEGGL B

- Tightens with an allen key
- Gap between panels:  
min 40mm / max 70mm



# 90° RIGI CLAMP

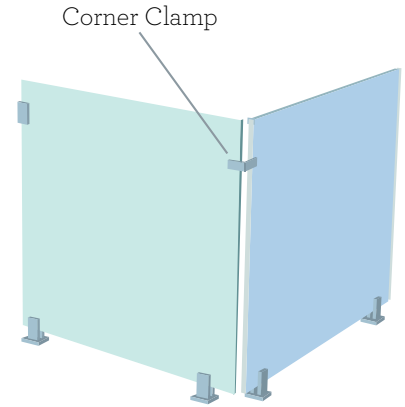
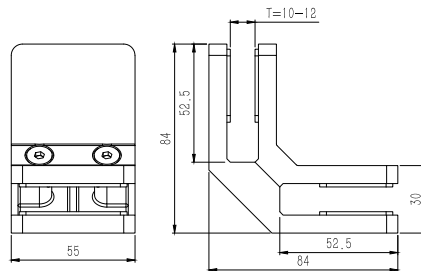
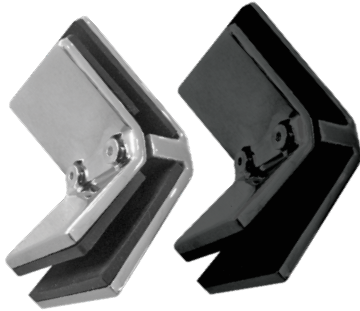
## 316 Stainless Steel



**Polish Finish** Order Code: SCEGG90  
**Black Finish** Order Code: SCEGG90 B

# 90° HEAVY DUTY CORNER CLAMP

## 316 Stainless Steel



**Polish Finish** Order Code: SCEGG90HD  
**Black Finish** Order Code: SCEGG90HD B

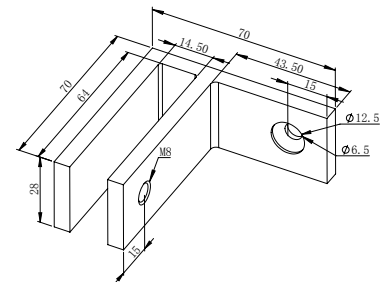
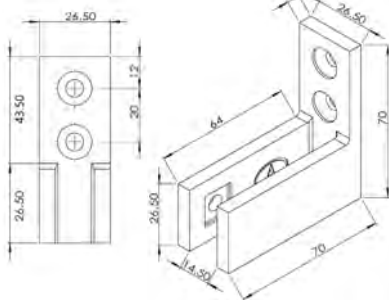
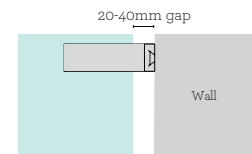
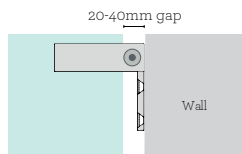
# WALL RIGI CLAMP

## 316 Stainless Steel

**Polish Finish** Order Code:  
 SCEGWV (Vertical)  
 SCEGWH (Horizontal)

**Black Finish** Order Code:  
 SCEGWV B (Vertical)  
 SCEGWH B (Horizontal)

- Adjustable with allen key
- Counter sunk screw holes

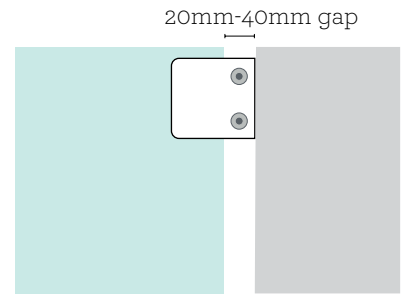
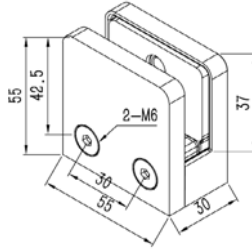
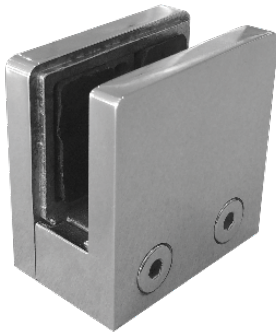


VERTICAL

HORIZONTAL

# HEAVY DUTY WALL CLAMP

## 316 Stainless Steel



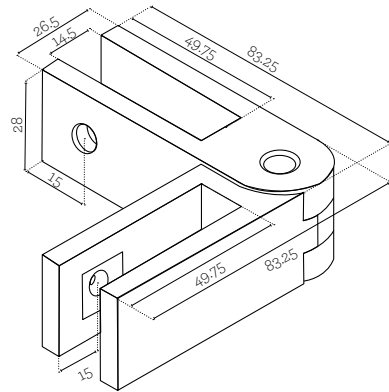
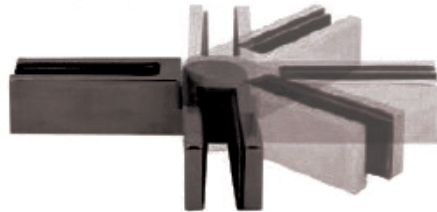
**Polish Finish** Order Code: SCEGWHD  
**Black Finish** Order Code: SCEGWHD B

- Adjustable with allen key
- Counter sunk screw holes

# SWIVEL RIGI CLAMP

## 316 Stainless Steel

VARIABLE ANGLE



**Polish Finish**  
 Order Code: SCEGGSW  
**Black Finish**  
 Order Code: SCEGGSW B

\*When installing glass panels, ensure there is a minimum gap of 45mm between panels and a maximum gap between panels of 70mm.

# HANDRAIL – 5800mm x 25mm x 21mm

## 316 Stainless Steel

Polish Finish

SLIMLINE RAIL



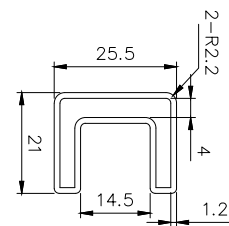
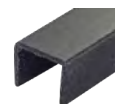
Black Finish

COMPLIANT WITH  
 NZS4223:2016 and F4

**Polish Finish** Order Code: SCEHR5,8 OR 2.9  
**Black Finish** Order Code: SCEHR5,8 OR 2.9 B

### SPECIFICATION

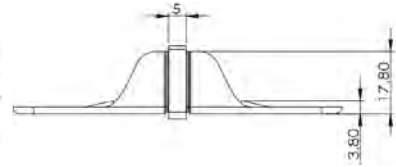
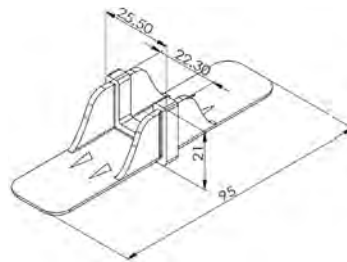
- Slimline stylish profile - caps over 12mm thick glass
- 1.2mm wall thickness
- 14 x 14mm glazing pocket: silicone onto glass or use in conjunction with glazing rubber
- To be compliant with NZS4223:2016 - Approved Balustrade Handrail





# 180° CONNECTOR – 25mm x 21mm

316 Stainless Steel



**SPECIFICATION**

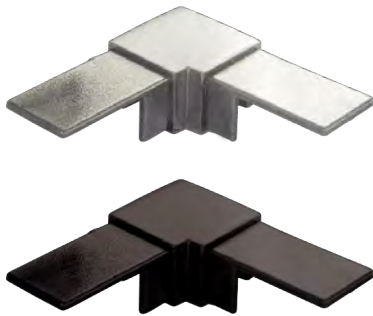
- In-line rail joiner
- Easy to use tap-in fitting: allows for increased speed of assembly
- Stainless Steel 316
- Friction fitting or epoxy can be used

**Polish Finish**  
Order Code: SCEHR180

**Black Finish**  
Order Code: SCEHR180 B

# 90° CONNECTOR – 25mm x 21mm

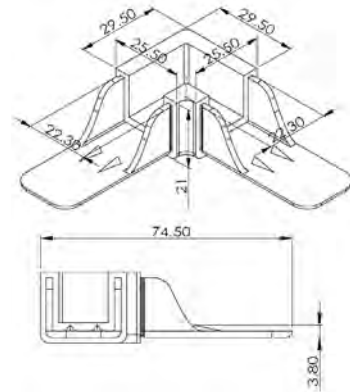
316 Stainless Steel



**Polish Finish** Order Code: SCEHR90  
**Black Finish** Order Code: SCEHR90 B

**SPECIFICATION**

- 90 degree corner joiner ; easy to use tap-in fitting
- Stainless Steel 316
- Epoxy glue or drill/tap tube for joining strength



# HANDRAIL SWIVEL VERTICAL CORNER JOINER LEFT AND RIGHT

316 Stainless Steel



**Polish Finish**  
Order Code: SCEHRSCJL  
**Black Finish**  
Order Code: SCEHRSCJL B

**LEFT SPECIFICATION**

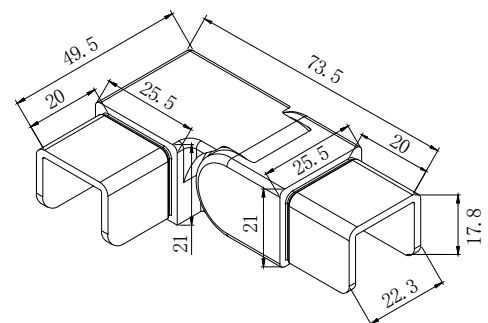
- Variable angle corner joiner
- From straight rail, achieve up to 90 degrees left angle joining
- Epoxy glue, weld or drill/top tube for joining strength



**Polish Finish**  
Order Code: SCEHRSCJR  
**Black Finish**  
Order Code: SCEHRSCJR B

**RIGHT SPECIFICATION**

- Variable angle corner joiner
- From straight rail, achieve up to 90 degrees right angle joining
- Epoxy glue, weld or drill/top tube for joining strength



# SWIVEL HORIZONTAL CONNECTOR

316 Stainless Steel

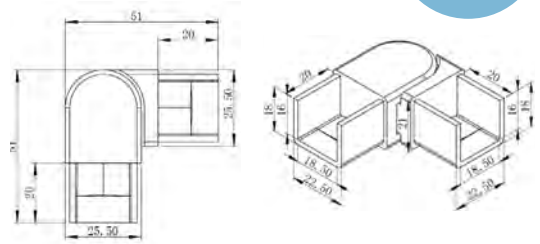
VARIABLE ANGLE



**Polish Finish** Order Code: SCEHRH  
**Black Finish** Order Code: SCEHRH B

## SPECIFICATION

- Variable angle horizontal joiner
- From straight rail, achieve up to 90 degrees left or right angle joining
- Epoxy glue or drill/top tube for joining strength



# SWIVEL VERTICAL CONNECTOR

316 Stainless Steel

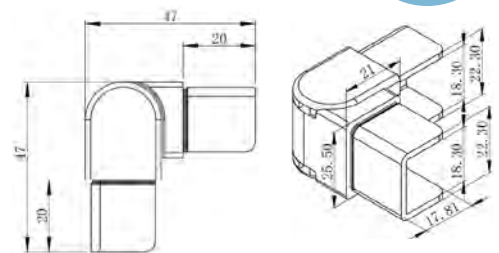
VARIABLE ANGLE



**Polish Finish**  
 Order Code: SCEHRV  
**Black Finish**  
 Order Code: SCEHRV B

## SPECIFICATION

- Variable angle vertical joiner
- From straight rail, achieve up to 45 degrees upwards and downwards
- Ideal for staircase installation



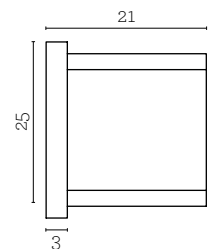
# END CAP – 25mm x 21mm

316 Stainless Steel

**Polish Finish** Order Code: SCEHREC  
**Black Finish** Order Code: SCEHRECB

## SPECIFICATION

- End cap; easy to use tap-in fitting
- Stainless Steel 316
- Epoxy glue or drill/tap tube for joining strength



# WALL PLATE – 25mm x 21mm

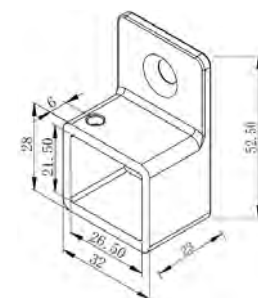
316 Stainless Steel

**Polish Finish** Order Code:  
 SCEHRWC (Vertical)  
 SCEHRWCH (Horizontal)

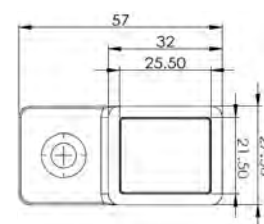
**Black Finish** Order Code:  
 SCEHRWC B (Vertical)  
 SCEHRWCH B (Horizontal)

## SPECIFICATION

- Bracket can be affixed to wall/post
- 25 x 21mm tube fits into opening (female fit)
- Stainless Steel 316
- Grub Screw for joining strength



Vertical



Horizontal

# Install With Ocean Views

A recent BelAire glass fencing installation! Hawke's Bay's Ocean Beach sitting beneath this crows nest makes another picturesque location for a Scenic glass pool fencing job, leaving the view uninterrupted...

Project Specifications:

**12mm Toughened Enduroshield Glass Fencing**

1200mm high to meet all required council F9 specifications all provided with a PS1

**Polished Core Drill Stainless 2205 Spigots & Soft closing Hinges**

38 meters installed into concrete by core drilling



# Kumeū Glass Pool Fencing

This customer wanted to enclose his pool area without sacrificing their beautiful landscape view, with a combination of top mounted Tekapo and side mounted Kaweka spigots, the results were more than pleasing.

Project Specifications:

## Toughened Enduroshield Glass Fencing

This project consisted of multiple sizes of glass panels

Combination of top mounted stainless Tekapo spigots and side mounted stainless Kaweka spigot

**"Fantastic company to buy fencing products from. Very knowledgeable and helpful team. Top quality glass with no distortion, superior fixing system and superb customer experience from start to finish."**

John



**Easy-clean glass coating**

Upgrade our toughened safety glass with **EnduroShield**, an invisible, non-stick coating that reduces cleaning time by up to 90%. Your glass stays cleaner for longer, and it's a breeze to rinse down.

Choose to upgrade to EnduroShield-coated glass when you order on-line, or just talk with one of our friendly sales representatives.

**EnduroShield**

# Enfield Drive

With such an amazing view there was no question why we installed the BelAire glass fencing system. This job only took two days to install and resulted in high strength glass fencing with core drill spigots and a clear, uninterrupted view of Hawke's Bay.

Project Specifications:

**12mm Toughened Enduroshield Glass Fencing**

1200mm high to be pool compliant, with some custom panels beside stepped areas

**Polished Core Drill Stainless 2205 Spigots & Soft Closing Hinges**

38 meters installed into concrete by core drilling

**Specified By**

South Pacific Landscaping



# David Reid Homes

How could you install anything other than the BelAire glass fence with these amazing views and the sun setting in the west. As this site was in an Extra High wind zone, we used 3 Spigots per panel and consists of A Grade toughened panels to perform against the elements.

Project Specifications:

**12mm Toughened Enduroshield Glass Fencing**

1200mm high to be pool compliant to NZ compliance F9

**Polished Top Mounted Tekapo Stainless**

**2205 Spigots & Soft Closing Hinges**

52 meters installed into composite decking

**Specified By**

David Reid Homes



**Easy-clean glass coating**

Upgrade our toughened safety glass with **EnduroShield**, an invisible, non-stick coating that **reduces cleaning time by up to 90%**. Your glass stays cleaner for longer, and it's a breeze to rinse down.

Choose to upgrade to EnduroShield-coated glass when you order on-line, or just talk with one of our friendly sales representatives.



# Balustrade Install

A Blenheim client approached BelAire Designer Fencing for a balustrading solution for his outdoor decking and pool area, not wanting to obstruct his amazing view. Our frameless glass balustrade system provided functionality and safety that complimented the aesthetics of our client's house.

Project Specifications:

**12mm Toughened Enduroshield Glass Fencing**  
Combination of 1200mm high and 1000mm high

**Tekapo Base Mounted Spigot**  
105 meters installed into timber decking

**"I was really impressed with how easy BelAire made the whole process. The computerised layout and plan of what was required made it so easy. Great to get a reliable quote and then easy delivery and after care service."**

Anonymous Client



# Coromandel Glass Install

This stunning glass fencing job combines the purpose of glass balustrade fencing with glass pool fencing. This allows the customer to admire the beautiful Coromandel farmland while optimising the safety of their outdoor entertaining area.

Project Specifications:

**12mm Toughened Enduroshield Glass Fencing**

1200mm high to be pool compliant to NZ compliance F9

**Polished Top Mounted Tekapo Stainless**

**2205 Spigots and Soft closing hinges**

51 meters installed into timber decking

**Specified by**

Customer chosen direct with BelAire Fencing



**Easy-clean glass coating**  
Upgrade our toughened safety glass with **EnduroShield**, an invisible, non-stick coating that reduces cleaning time by up to 90%. Your glass stays cleaner for longer, and it's a breeze to rinse down.  
Choose to upgrade to EnduroShield-coated glass when you order on-line, or just talk with one of our friendly sales representatives.









# Aluminium Fencing & Screen Systems



Scan to view all  
BelAire fence drawings

BelAire<sup>®</sup>  
DESIGNER FENCING

*...make it your own!*



BelAire slats between BelAire Signature posts.

**BelAire**<sup>®</sup>  
DESIGNER FENCING

*...make it your own!*

# Aluminium Fencing & Screen Systems

## COST-EFFECTIVE

BelAire slat and louvre fencing is a great cost-effective option where a degree of privacy and security is required.

## BUILT TO LAST

Our powder-coated aluminium posts, channels and slats are very light, structurally very strong, and are supplied to you in a colour (or combination of colours) of your choice.

It is important to note that our fencing, with 25mm wide slats, is superior in strength to some inferior fencing with 16mm wide slats.

## EASY INSTALLATION

Our slat and oblique fencing is designed to be assembled with ease. The Aluminium fencing and screen systems use either inground or flanged posts. BelAire slat fencing panels can be easily handled by two people, making them perfect for difficult-to-access areas such as back yards or annexed ground.

We provide step by step self-install instructions that any competent DIY person should be able to follow, but if you'd rather get someone else to install it, we have a list of preferred installers throughout NZ. Call us on 0800 235 2473 and we will put you in touch with an installer in your area.

## WARRANTY

New Zealand-made and 10-year warranty information. Be assured that with very little maintenance your fence will give you great privacy and security for many years to come. Only the finest raw materials have been used in the construction of your fence. The suppliers of these raw materials state that they have a design life well in excess of 20 years. With this assurance we offer you a replacement warranty for any component of your new fencing if it fails within 10 years\* from date of purchase.



\*2yr Warranty within a 1500m sea spray zone.



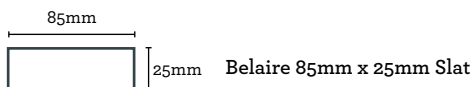
# Why Choose BelAire Slat Fencing?

## KEY FEATURES

See below our strength test of the BelAire 85 x 25 mm slat. What super strength was proven in this test when we loaded 69.3kgs onto the 85 x 25mm slat spanning 2400mm. The 65 x 16mm slat took a mere 30kgs before it crumpled to the ground. As you can see in the images below, the BelAire slat had a bow that was comparable to that of the 65mm slat even though the 16mm slat was only carrying 25.2kg.

- No Twisting, warping, rotting
- Looks the same as the day it was installed for many years
- Already finished to a colour of your choice
- Simple install
- Customizable and versatile to suit any landscape
- Horizontal or vertical options
- Lightweight but very durable
- Low maintenance
- Modern sleek look
- Adjustable gaps to suit your privacy needs
- Hidden fixings

## BELAIRE SLAT vs TRADITIONAL 65 X 16MM SLAT



# HORIZONTAL SLAT FENCING

**Post dimensions:** 60 x 60 x 2mm or 90 x 90 x 3mm BMT

**Slat profiles:** 85mm x 25mm or 60mm x 25mm

**Suitable for fence heights:** 900mm – 2400mm

**Post centres:** 2410mm, 2710mm, 3010mm

\*Based on 60mm x 60mm posts

BelAire slat fencing is fully customisable. If there's a particular size or configuration you require, call us on 0800 235 2473 and we'll custom-make a fence just for you.

## POWDER-COAT COLOURS



Titania

Gull Grey

Slate Grey

Grey Friars

Ironsand

Flax

Ebony

..... **STANDARD COLOUR RANGE FOR 85mm SLATS** .....  
(BEST PRICES)

You can choose the same colour for your posts, channels and slats, or any combination you wish!

We can also powdercoat the slats to any of the colours in the Dulux powdercoating chart, found at: [www.duluxpowdercoatings.co.nz](http://www.duluxpowdercoatings.co.nz)

## SLATS

### Slat construction:

85 x 25mm (standard stocked size in 7 colours above)

60 x 25mm (standard stocked in ebony only)

1.6mm powder-coated aluminium

It is important to note that our fencing, with 25mm wide slats, is superior in strength to some inferior fencing with 16mm wide slats.

Available in two heights - 85mm is our standard stocked size, and 60mm slats are available on request. The two types of slats can be used exclusively, or combined in any way you choose. Both can also be used either horizontally or vertically.

**2330mm (length) x 85mm (height) x 25mm (width)**

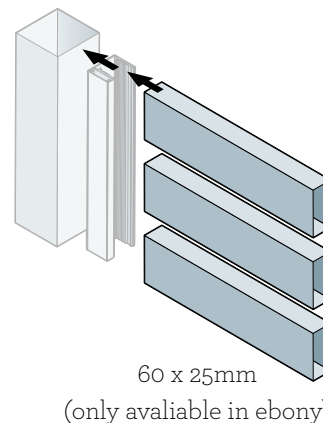
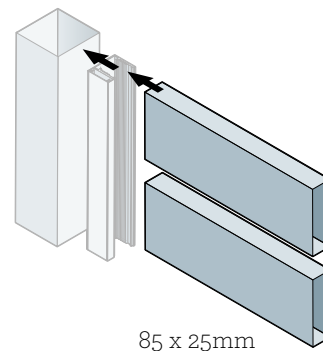
**2630mm (length) x 85mm (height) x 25mm (width)**

**2930mm (length) x 85mm (height) x 25mm (width)**

2330mm (length) x 60mm (height) x 25mm (width)

2630mm (length) x 60mm (height) x 25mm (width)

2930mm (length) x 60mm (height) x 25mm (width)



Refer to [www.belairefencing.co.nz/aluminium-slat-fencing/](http://www.belairefencing.co.nz/aluminium-slat-fencing/) for Slat testing examples

## Horizontal Slat Panel 15

Code: BSHXXXX



**Post Centres:**

1545mm, 2410mm, 2710mm, 3010mm

**Fence Panel Heights:**

1200, 1500, 1800, 2000mm

**Slats:**

85mm x 25mm

**Slat Gaps**

15mm

## Horizontal Slat Panel 27

Code: BSHOXXXX



**Post Centres:**

1545mm, 2410mm, 2710mm, 3010mm

**Fence Panel Heights:**

1210, 1430, 1760, 1980mm

**Slats:**

85mm x 25mm

**Slat Gaps**

27mm

## Horizontal Slat Panel Mixed

Code: BSHMXXXX



**Post Centres:**

2410mm, 2710mm, 3010mm

**Fence Panel Heights:**

1200, 1500, 1800, 2000mm

**Slats:**

Mix of 85 x 25mm & 60 x 25mm

**Slat Gaps**

15mm

## Horizontal Slat Panel Solid/Open

Code: BSHS15XXXX



**Post Centres:**

2410mm, 2710mm, 3010mm

**Fence Panel Heights:**

1195, 1450, 1790, 1960mm

**Slats:**

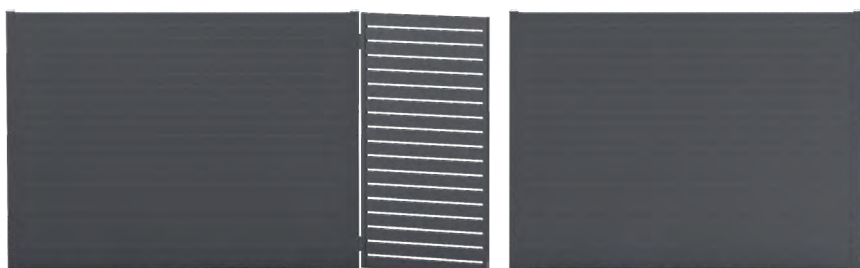
85mm x 25mm

**Slat Gaps**

15mm (Top Slats only)

## Horizontal Slat Panel Solid

Code: BSHSXXXX



**Post Centres:**

2410mm, 2710mm, 3010mm

**Fence Panel Heights:**

1190, 1445, 1785, 1955mm

**Slats:**

85mm x 25mm

**Slat Gaps**

0mm

\*Measurements based on 60mm x 60mm posts

# VERTICAL SLAT FENCING

**Post dimensions:** 60 x 60 x 2mm or 90 x 90, 3mm BMT

**Slat Profiles:** 85mm x 25mm or 60mm x 25mm

**Suitable for fence heights:** 900mm – 2400mm

**Post centres:** 2410mm, 2710mm, 3010mm

\*Based on 60mm x 60mm posts

BelAire slat fencing is fully customisable. If there's a particular size or configuration you require, call us on 0800 235 2473 and we'll custom-make a fence just for you.

## POWDER-COAT COLOURS



Titania

Gull Grey

Slate Grey

Grey Friars

Ironsand

Flax

Ebony

..... **STANDARD COLOUR RANGE FOR 85mm SLATS** .....  
(BEST PRICES)

You can choose the same colour for your posts, channels and slats, or any combination you wish!

We can also powdercoat the slats to any of the colours in the Dulux powdercoating chart, found at: [www.duluxpowdercoatings.co.nz](http://www.duluxpowdercoatings.co.nz)

## SLATS

### Slat construction:

85 x 25mm (standard stocked size)

60 x 25mm (available on request)

It is important to note that our fencing, with 25mm wide slats, is superior in strength to some inferior fencing with 16mm wide slats.

Available in two heights – 85mm is our standard stocked size, and 60mm slats are available on request. The two types of slats can be used exclusively, or combined in any way you choose. Both can also be used either horizontally or vertically.

**2330mm (length) x 85mm (height) x 25mm (width)**

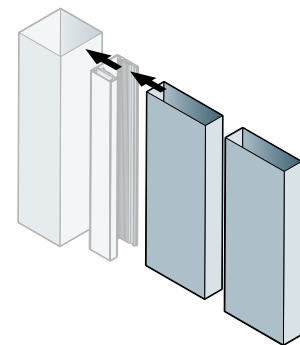
**2630mm (length) x 85mm (height) x 25mm (width)**

**2930mm (length) x 85mm (height) x 25mm (width)**

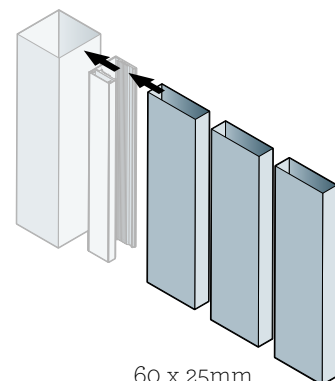
2330mm (length) x 60mm (height) x 25mm (width)

2630mm (length) x 60mm (height) x 25mm (width)

2930mm (length) x 60mm (height) x 25mm (width)



85 x 25mm



60 x 25mm

Refer to [www.belairfencing.co.nz/aluminium-slat-fencing/](http://www.belairfencing.co.nz/aluminium-slat-fencing/) for Slat testing examples

## Vertical Slat Panel 15

Code: BSVXXXX



**Post Centres:**

1860mm, 2160mm, 2410mm,  
2710mm, 3010mm

**Fence Panel Heights:**

1200, 1500, 1800, 2000mm

**Slats:**

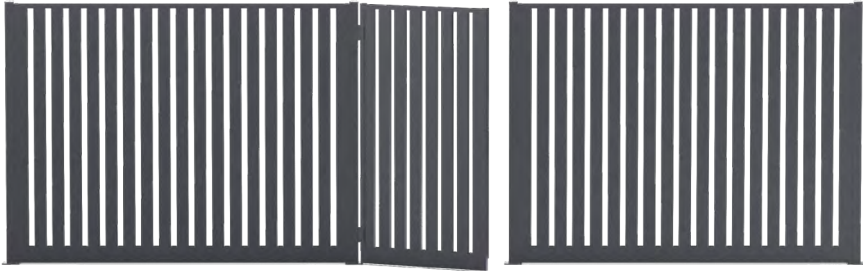
85mm x 25mm

**Slat Gaps**

15mm

## Vertical Slat Panel 39

Code: BSV0XXXX



**Post Centres:**

2410mm, 2710mm, 3010mm

**Fence Panel Heights:**

1200, 1500, 1800, 2000mm

**Slats:**

85mm x 25mm

**Slat Gaps**

39mm

## Vertical Slat Panel Mixed

Code: BSMXXXX



**Post Centres:**

2410mm, 2710mm, 3010mm

**Fence Panel Heights:**

1200, 1500, 1800, 2000mm

**Slats:**

Mix of 85 x 25mm & 60 x 25mm

**Slat Gaps**

15mm

## Vertical Slat Panel Solid

Code: BSVSXXXX



**Post Centres:**

2380mm, 2720mm, 2970mm

**Fence Panel Heights:**

1200, 1500, 1800, 2000mm

**Slats:**

85mm x 25mm

**Slat Gaps**

0mm



\*Measurements based on 60mm x 60mm posts



# 60X25MM HORIZONTAL & VERTICAL SLAT FENCING



Only available as standard in Ebony, powdercoated colour options are available on request

Ebony

60 x 25mm Horizontal Slat Panel Code: BSH60XXXX



**Post Centres:**

1545mm, 2410mm 2710mm, 3010mm

**Fence Panel Heights:**

1200, 1500, 1800, 2000mm

**Slats:**

60mm x 25mm

**Slat Gaps**

10mm

60 x 25mm Vertical Slat Panel Code: BSV60XXXX



**Post Centres:**

1860mm, 2160mm, 2410mm, 2710mm, 3010mm

**Fence Panel Heights:**

1200, 1500, 1800, 2000mm

**Slats:**

60mm x 25mm

**Slat Gaps**

25mm



# SLAT FENCING COMPONENTS

## IN-GROUND POSTS

Both slat and louvre fencing is supplied with 60mm x 60mm in-ground posts as standard.

The following posts are available as options:



60 x 60mm  
in-ground post  
Code: **IP6024XX**



90 x 90mm  
in-ground post  
Code: **IP9024XX**

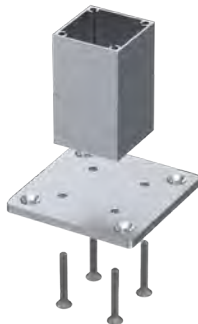


20° - 72° degree  
in-ground adjustable angle post  
Code: **AIP6024**



## FLANGED BASE POSTS

### SCREWED



120 x 120mm  
Screw on flanged base  
(60 x 60mm post)  
Code: **FP6020xx**



160 x 160mm  
Screw on flanged base  
(90 x 90mm post)  
Code: **FP9020xx**

### WELDED



120 x 120mm  
welded flanged base  
(60 x 60mm post)  
Code: **FPPC6020**



160 x 160mm  
welded flanged base  
(90 x 90mm post)  
Code: **FPPC9020**

## ADJUSTABLE ANGLE FLANGED BASE POSTS



20° - 72° degree  
flanged adjustable angle base  
Code: **AFP6020**

\*The angle you require for the adjustable flanged post will need to be specified when ordering.

# SLAT FENCING COMPONENTS

## POST CAPS

### FLUSH CAP



Plastic Cap  
(on 60 x 60mm post)  
Code: PC60PL



Plastic Cap  
(on 90 x 90mm post)  
Code: PC90PL

### EXPOSED CAP



Exposed Cap  
(on 60 x 60mm post)  
Code: PC60AL



Exposed Cap  
(on 90 x 90mm post)  
Code: PC90AL

### ADJUSTABLE ANGLE CAP



Adjustable angle cap  
Fully closed (20°)



Adjustable angle cap  
Fully open (72°)

Code: ADJ PC60 A

Code: ADJ PC60 B

## SLAT FENCING CHANNEL



25mm Channel  
Code: BSLCH



25mm Channel cover  
Code: BSLCHC



46mm Channel  
Code: BOBCH



46mm Channel cover  
Code: BOBCHC

## SLATS



60 x 25mm Slat  
Code: BSLXX60XX



85 x 25mm Slat  
Code: BSLXX85XX

# FACE FIXED VERTICAL SLAT FENCING

**Post dimensions:** 60 x 60mm or 90 x 90mm, 2mm BMT

**Slat Profile:** 85mm x 25mm or 60mm x 25mm

**Suitable for fence heights:** 900 – 2400mm

**Post centres:** 1800mm



Commercial gas bottle storage area. – Grey Friars vertical face fixed slat option. 2000mm high with Flanged fixed 90x90mm posts.

# LOUVRE FENCING

Louvre sizes:

**2400mm (length) x 136mm (height) x 32mm (width)**

to suit 2400mm panels

**2700mm (length) x 136mm (height) x 32mm (width)**

to suit 2700mm panels

**3000mm (length) x 136mm (height) x 32mm (width)**

to suit 3000mm panels

BelAire louvre fencing

is fully customisable.

If there's a particular size or configuration you require, call us

on 0800 235 2473

and we'll custom-make

a fence just for you.

You can choose the same colour for your posts, channels and slats, or any combination you wish!

We powdercoat the louvres to any of the colours in the Dulux powdercoating chart, found at:

[www.duluxpowdercoatings.co.nz](http://www.duluxpowdercoatings.co.nz)

---

## LOUVRE FENCE PANELS

Louvre fence height options:

**350mm (3 louvres), 600mm (5 louvres), 900mm (8 louvres)**

**1200mm (10 louvres), 1500mm (13 louvres), 1800mm (15 louvres)**

Construction:

**135mm high aluminium aerofoil**

**louvres fence powder-coated to**

**your colour of choice.**



# MODULAR BIN AND UTILITY SCREENS

---

Great screens for hiding and securing those everyday around the house essentials that you don't want to be seen out in the open. Easy to install and available with flanged or inground posts in 7 different colour options.

Commonly used in medium and high density housing units.  
Custom designs available.





## Where Functionality Meets Elegance

Designed with both functionality and aesthetics in mind, our enclosures provide a sleek and stylish solution to keeping your outdoor space neat and tidy.

### Colour Options



TITANIA GULL GREY SLATE GREY IRONSAND GREY FRIARS FLAX EBONY

## Can't find the size to suit?

We also do custom size Uglees. Send us an email with your ideal dimensions and we'll make it!



## UGLEE RANGE Sizing: WxDxH in mm

### 650 Mini



Size:  
650x650x1160  
0.46m<sup>3</sup> 0.42m<sup>2</sup>  
465 Litres

Can Fit:  
Single 140L Bin,  
Recycle Bins,  
Outdoor seat  
cushions

### 650 Double



Size:  
1100x650x1160  
0.79m<sup>3</sup> 0.71m<sup>2</sup>  
785 Litres

Can Fit:  
2 X 140L Bins,  
Toys, Small  
pool pump,  
BBQs

### 650 Triple



Size:  
1600x650x1160  
1.2m<sup>3</sup> 1.04m<sup>2</sup>  
1144 Litres

Can Fit:  
3 X 140L Bins,  
Toys, Small  
bikes, Pool  
pump, BBQs

## UGLEE RANGE Sizing: WxDxH in mm

### 850 Mini



Size:  
850x850x1160  
0.79m<sup>3</sup> 0.72m<sup>2</sup>  
795 Litres

Can Fit:  
Single 240L  
Bin,  
Recycle Bins,  
Outdoor toys

### 850 Double



Size:  
1420x850x1160  
1.32m<sup>3</sup> 1.27m<sup>2</sup>  
1328 Litres

Can Fit:  
2 X 240L Bins,  
Pool pumps,  
Bikes, BBQs,  
Toys, Cushions

### 850 Triple



Size:  
2000x850x1160  
1.87m<sup>3</sup> 1.7m<sup>2</sup>  
1870 Litres

Can Fit:  
3 X 240L Bins,  
Recycle Bins,  
Toys, Bikes,  
Pool pumps

### AC Small



Size:  
1100x500x800 | 0.44m<sup>3</sup> | 0.55m<sup>2</sup> |  
440 Litres

Can Fit:  
1 X Small AC Unit

### AC Large



Size:  
1100x500x1000 | 0.55m<sup>3</sup> | 0.55m<sup>2</sup> |  
550 Litres

Can Fit:  
1 X Large AC Unit

### Gas Triple



Size:  
1100x500x1650 | 0.90m<sup>3</sup> | 0.55m<sup>2</sup> |  
908 Litres

Can Fit:  
Gas bottles, Large AC units

### The Shed



Size:  
2470x1300x2070 | 6.45m<sup>3</sup> | 3.21m<sup>2</sup> | 5,800 Litres

Can Fit:  
Fire wood, Bikes, Lawn mowers, Garden tools,  
BBQs



SCAN ME!



# Uglee™

**BUILT  
TO HIDE  
THE UGLY**

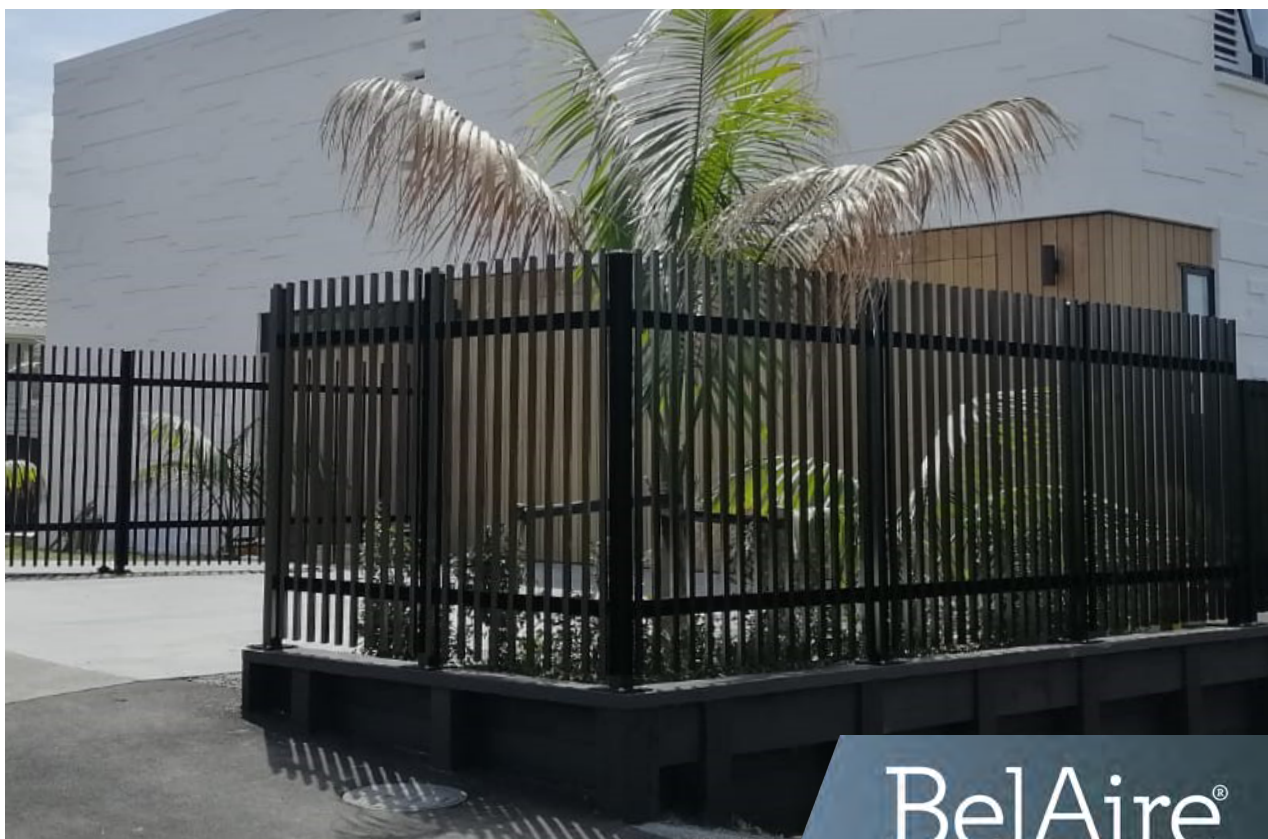




# Oblique Fencing

BelAire®  
DESIGNER FENCING

*...make it your own!*



BelAire®  
DESIGNER FENCING

*...make it your own!*

# Oblique Fencing

## PRIVACY AND VERSATILITY

The beauty of BelAire oblique fencing lies in its ability to make your property completely private when viewed from one direction, whilst it allows you to see through it from another. Keep your kids safe in the garden, while keeping an eye on them from the house. It's so versatile - with three heights and four configuration options you'll have every angle covered. And it can run along sloped boundary lines and uneven ground. (Check with us to see which configurations will best suit your requirements.)

With stunning architectural impact, BelAire oblique fencing will enhance your property and safeguard your family.

## BUILT TO LAST

The powder-coated aluminium posts, channels and slats are very light, structurally very strong, and are supplied to you in classic Kiwi Dulux Flaxpod. BelAire oblique fencing can also be supplied in any Dulux powdercoat colour (or combination of colours) of your choice at additional cost.

## EASY INSTALLATION

BelAire oblique fencing is designed to be assembled with ease. The posts are simply concreted into post holes while the lightweight aluminium slats are perfect for difficult-to-access areas such as back yards or annexed ground.

We provide step by step self-install instructions that any competent DIY person should be able to follow, but if you'd rather get someone else to install it, we have a list of preferred installers throughout NZ. Call us on 0800 235 2473 and we will put you in touch with an installer in your area.

## WARRANTY



Be assured that with very little maintenance your fence will give you great privacy and security for many years to come. Only the finest raw materials have been used in the construction of your fence. The suppliers of these raw materials state that they have a design life well in excess of 20 years. With this assurance we offer you a replacement warranty for any component of your new fencing if it fails within 10 years from date of purchase.

# OBLIQUE FENCING

Post dimensions: 60mm (deep) x 60mm (face) 2 mm SHS

Oblique slat thickness: 25mm

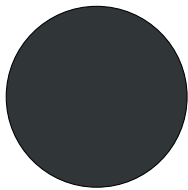
Fence heights: 1200mm , 1500mm, 1800mm

Post centres: 1860mm, 2410mm

BelAire oblique fencing is fully customisable. If there's a particular size or configuration you require, call us on 0800 235 2473 and we'll custom-make a fence just for you.



## POWDER-COAT COLOUR



Flax

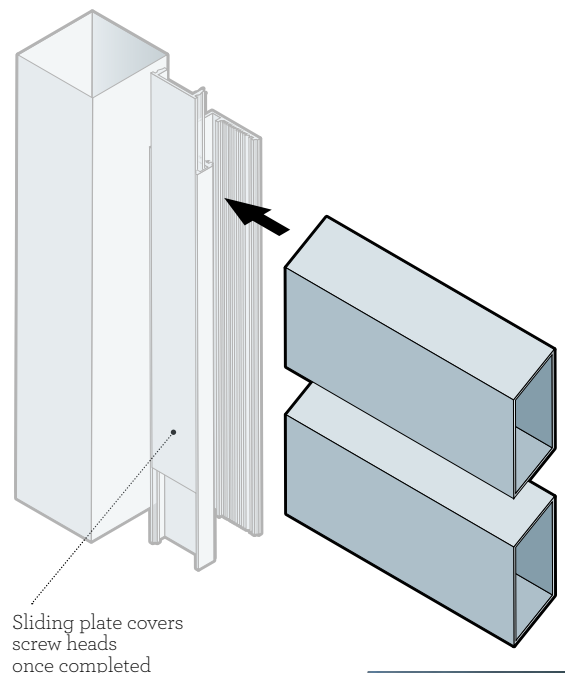
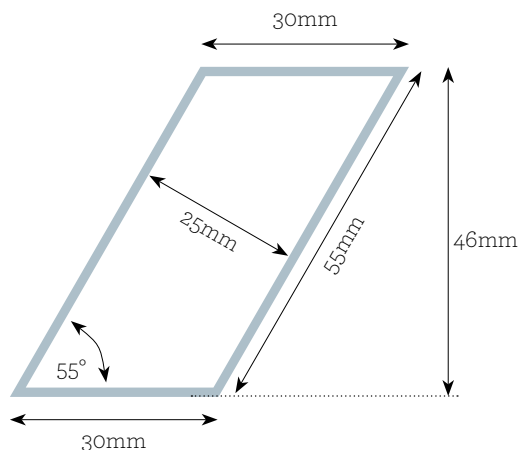
BelAire oblique fencing posts, channels and slats are supplied in powdercoated Dulux Flaxpod. They can also be supplied in any Dulux powdercoat colour of your choice at additional cost. The Dulux powdercoating chart can be found at: [www.duluxpowdercoatings.co.nz](http://www.duluxpowdercoatings.co.nz)

You can choose the same colour for your posts, channels and oblique slats, or any combination you wish!

## OBLIQUE SLATS

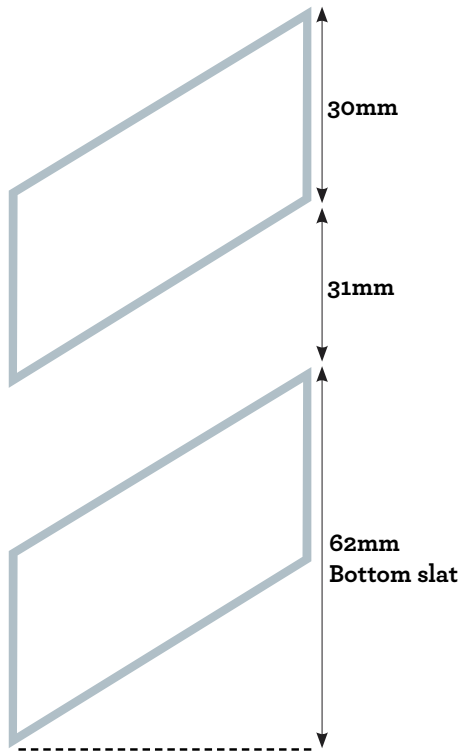
### Oblique slat construction:

1.2mm powder-coated aluminium.



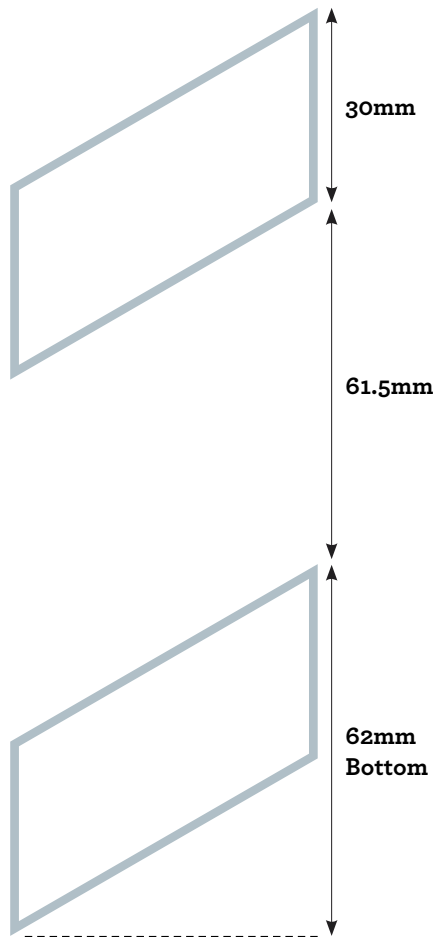
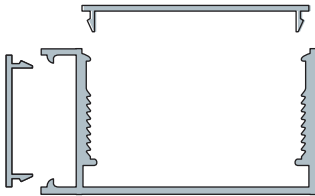
Sliding plate covers screw heads once completed

# OBLIQUE SPACING



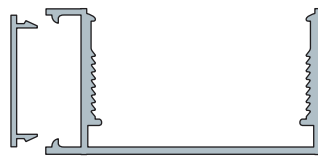
Oblique Channel & Double Cover per metre - Flax Colour  
Used in face fix option

Code: **BOBCHPM-D**

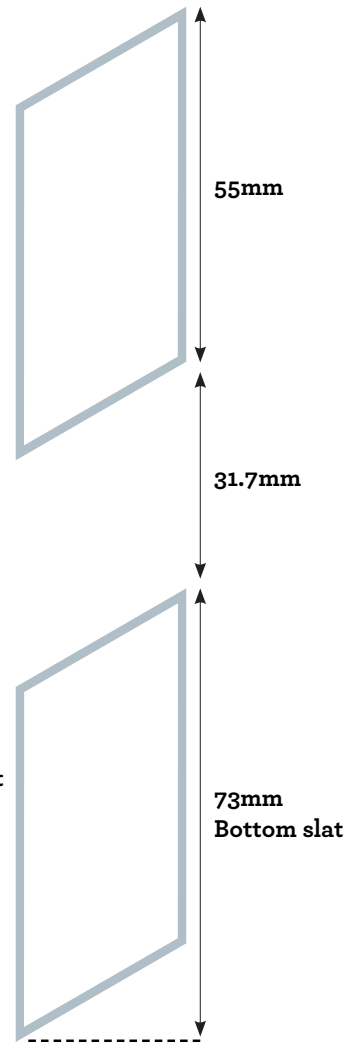


Oblique Channel & Single Cover per metre - Flax Colour

Code: **BOBCHPM-S**

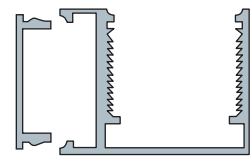


**Channel Size:**  
60mm Wide x 32mm High



Slat Channel & Cover Metre Rate - Flax Colour

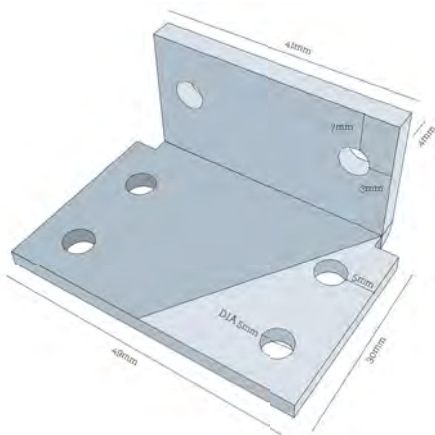
Code: **BSLCHPM-FX**



**Channel Size:**  
39mm Wide x 32mm High

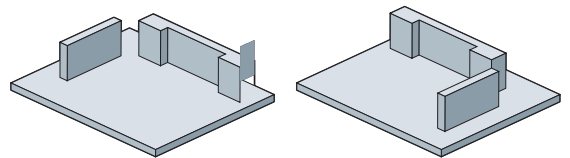
Oblique Bracket for Vertical mounted

Code: **BOBEB**



Oblique Black Channel Plastic End Cap  
60x30 Left and Right

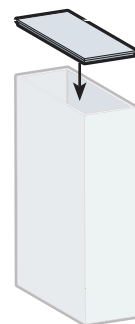
Code: **BOBCECL**  
Code: **BOBCECR**



Oblique Black Slat Plastic End Caps Left and Right

Codes: **BOBSLECL BOBSLECR**

Black top and bottom caps are available to complete your face fixed fencing.

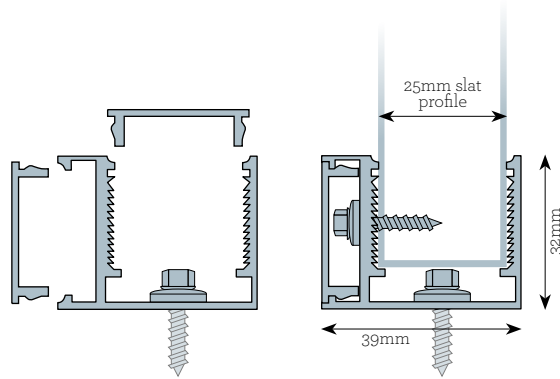


Oblique codes

1165mm length: **BOBSL1165**  
1500mm length: **BOBSL15**  
1800mm length: **BOBSL18**  
2300mm length: **BOBSL23**

# OBLIQUE FENCING CONFIGURATIONS

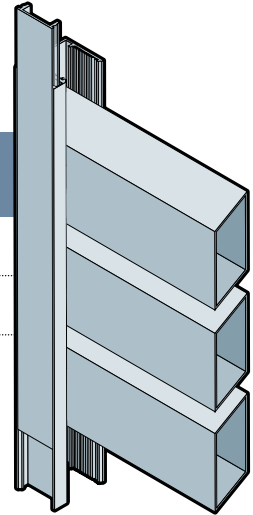
## CHANNEL FIX / 25mm PROFILE



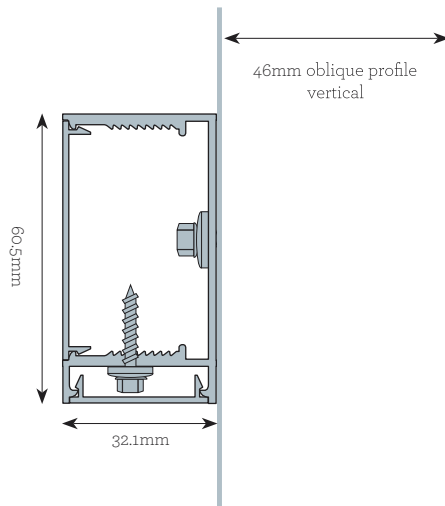
### HORIZONTAL SLATS

55mm face + 31.7mm gap between slats (Allow 73mm for bottom slat)

BOP1224 H25	Height: 1200mm	Width: 2350mm	Slats: 14 @ 2330mm long
BOP1524 H25	Height: 1460mm	Width: 2350mm	Slats: 17 @ 2330mm long
BOP1824 H25	Height: 1720mm	Width: 2350mm	Slats: 20 @ 2330mm long



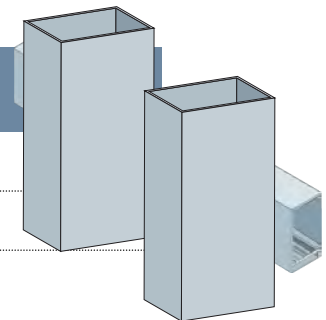
## VERTICAL FACE FIX



### VERTICAL SLATS - ANGLE MOUNTED

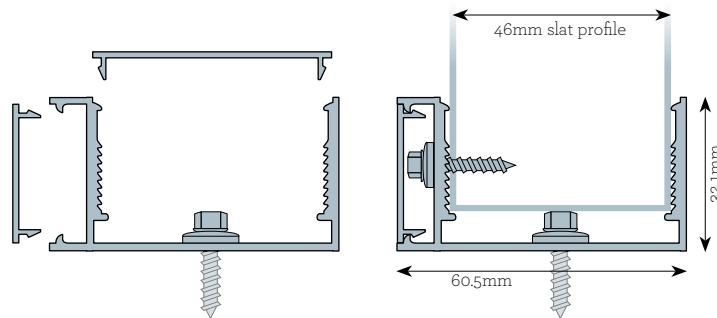
30mm face + 61.5mm gap between slats

BOP1218 V46 FF	Height: 1165mm	Width: 1800mm	Slats: 20 @ 1165mm long
BOP1518 V46 FF	Height: 1500mm	Width: 1800mm	Slats: 20 @ 1500mm long
BOP1818 V46 FF	Height: 1800mm	Width: 1800mm	Slats: 20 @ 1800mm long



# OBLIQUE FENCING CONFIGURATIONS

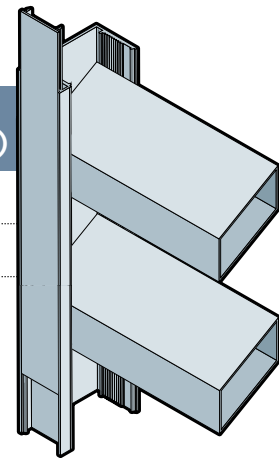
## CHANNEL FIX / 46mm PROFILE



### HORIZONTAL SLATS

30mm face + 61.5mm gap between slats (Allow 62mm for bottom slat)

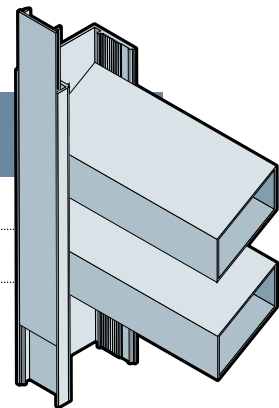
BOP1224 H46	Height: 1160mm	Width: 2350mm	Slats: 13 @ 2330mm long
BOP1524 H46	Height: 1526mm	Width: 2350mm	Slats: 17 @ 2330mm long
BOP1824 H46	Height: 1800mm	Width: 2350mm	Slats: 20 @ 2330mm long



### HORIZONTAL SLATS - FULL PRIVACY

30mm face + 31mm gap between slats (Allow 62mm for bottom slat)

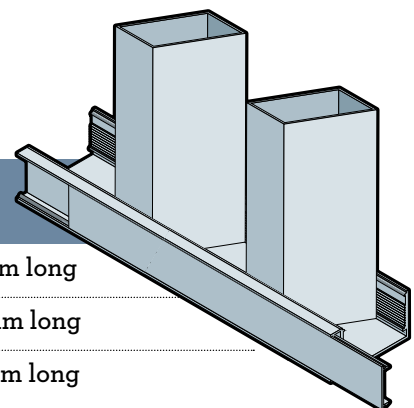
BOP1224 H46 PVT	Height: 1160mm	Width: 2350mm	Slats: 19 @ 2330mm long
BOP1524 H46 PVT	Height: 1526mm	Width: 2350mm	Slats: 25 @ 2330mm long
BOP1824 H46 PVT	Height: 1831mm	Width: 2350mm	Slats: 30 @ 2330mm long



### VERTICAL SLATS

30mm face + 61.5mm gap between slats

BOP1218 V46	Height: 1185mm	Width: 1800mm	Slats: 20 @ 1165mm long
BOP1518 V46	Height: 1500mm	Width: 1800mm	Slats: 20 @ 1480mm long
BOP1818 V46	Height: 1800mm	Width: 1800mm	Slats: 20 @ 1780mm long





BelAire Oblique Fencing **viewed from the road or driveway**



BelAire Oblique Fencing **viewed from your house or garden**



**For maximum versatility, slats can face in different directions within one panel**



OBLIQUE FENCING



# Sardona on Swayne

Sardona on Swayne epitomizes urban living with its innovative high-density design. Developed by Progressive Property, this cutting-edge project showcases the integration of vertical slat fencing, offering privacy without compromising aesthetics. These sleek fences not only delineate spaces but also enhance the modern architectural appeal. By prioritizing both functionality and style, Sardona on Swayne sets a new standard for contemporary living environments. Experience the perfect blend of sophistication and practicality in this dynamic urban oasis.

Project Specifications:

**Vertical Slats Fencing**

1200, 1500 and 1800mm high

**96 Panels**

**Colour**

Flax (matches Dulux Flaxpod)



# Dominion Construction

Being situated in the centre of New Zealand's busiest CBD, down Princess Street, the architects wanted a product that was robust, strong and looked great. The perfect solution was to supply and install the BelAire slat fencing system which enhanced the project and caused little disturbance to the site.

Project Specifications:

**Aluminium Slats**

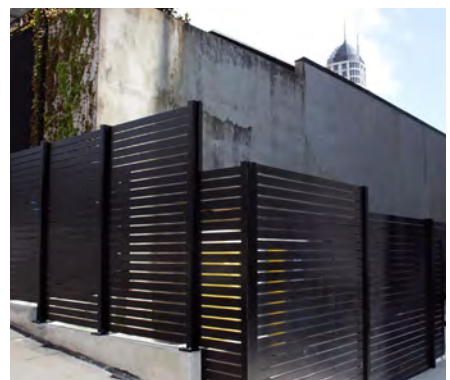
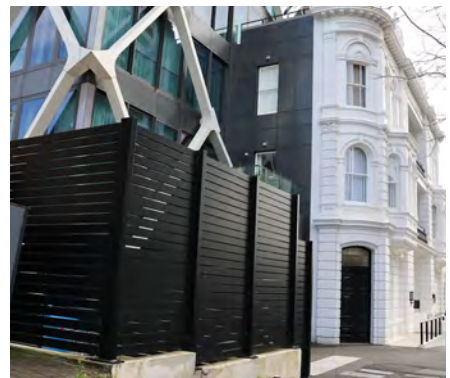
2400mm high

**Flush Capping, Slatted Bays and Solid Bay**

Slat panels with 15mm gaps, between engineered  
150 x 100mm flange plated posts, 54m long including 3 Gates

**Colour**

Ebony (Black)



# Matarangi Slat Fencing

With such a modern stylish looking house, the aluminium slats were a perfect complimentary look. The matching gates, along with their full automation functionality allow the customer to easily access his boat, house and garden exactly as requested.

Project Specifications:

## Horizontal Slats Fencing

Ranging between 1900mm to 1600mm high

## Flush Capping and Slatted Bays

85 x 25mm Aluminium Slats between  
90 x 90mm Aluminium Flange posts fixed  
to concrete nib/Timber decking

## Colour

Black

**“When we approached BelAire Designer Fencing, we were after a fencing solution that would look good and enhance the overall look of our house and the property. The fencing system also needed to be low maintenance, durable and cost effective. BelAire fit perfectly with all our criteria. BelAire overall advice, service and project communications were excellent. Considering the customisation required for the tricky site, the installation of the fence and gates went smoothly. Thank you BelAire”**

Tadek G





**BELAIRE  
SLAT FENCING  
IS F9 COMPLIANT FOR  
RESIDENTIAL SWIMMING  
POOLS WHEN:**

Fence is at least 1.8m high  
Fence composed of horizontal slats

Gaps between slats are  
less than 10mm

Gap under fence is  
less than 100mm



# Aurora Panel Fencing



Scan to view all  
BelAire fence drawings

BelAire<sup>®</sup>  
DESIGNER FENCING

*...make it your own!*



BelAire®  
DESIGNER FENCING

*...make it your own!*

# The New Aurora Panel

The introduction of Aurora aluminium fence panels marks a significant advancement in architectural design. With their sleek and modern appearance, these panels offer a fresh aesthetic to any property they adorn. Their clean lines and durable construction make them a popular choice for both residential and commercial applications.

Architects and designers appreciate the versatility of Aurora aluminium fence panels, as they can be customized to suit various styles and preferences. Whether its a contemporary urban landscape or a traditional suburban setting, these panels seamlessly blend in while adding a touch of sophistication.

Moreover, the durability of aluminium ensures that these fence panels not only enhance the visual appeal of a property but also provide long-lasting protection and security. Their resistance to corrosion and weathering makes them a low-maintenance option for property owners seeking both style and functionality.

Overall, the introduction of Aurora aluminium fence panels represents a shift towards modern architectural aesthetics, offering a stylish solution for enhancing the look and security of any property.





# Aurora Panel Fencing

## DURABLE CONSTRUCTION

Made from high-quality aluminium, Aurora fence panels are built to withstand the elements and resist corrosion, ensuring long-lasting performance and minimal maintenance requirements. With guaranteed no shrinking, warping, twisting, rotting or rusting.

## SLEEK DESIGN

With their modern and streamlined appearance, Aurora panels add a touch of elegance to any property. Their clean lines and smooth finish contribute to a contemporary architectural look.

## CUSTOMIZABLE

Aurora aluminium fence panels are available in various styles, heights, and colours, allowing for customization to suit specific design preferences and property requirements.

## EASY INSTALLATION

Designed for straightforward installation, Aurora panels come in either a full kitset or assembled panels to make installation a breeze. Simple assembly instructions, make the installation process quick and hassle-free.

**We provide step by step self-install instructions that any competent DIY person should be able to follow.**

## LOW MAINTENANCE

Unlike traditional fencing materials such as wood, aluminium requires minimal maintenance. Aurora panels are resistant to rust, fading, and warping, ensuring they retain their appearance over time without the need for frequent upkeep.

## VERSATILITY

Whether used for residential yards, commercial properties, or public spaces, Aurora aluminium fence panels offer versatility in application. They can be installed around pools, gardens, or along property lines to provide security and enhance curb appeal.

## ENVIRONMENTALLY FRIENDLY

Aluminium is a sustainable and recyclable material, making Aurora fence panels an eco-friendly choice for environmentally conscious consumers.

## SECURITY

In addition to their aesthetic appeal, Aurora aluminium fence panels provide a secure barrier, deterring intruders and ensuring the safety of property occupants.



# The Pool Panel

## SIZING

Post Centers: 1650mm

Fence Panel Heights: 1200, 1500, 1800mm

Slats Sizes: 60 x 25mm

Assembled Panel Codes: APPA1216, APPA1516, APPA1816

Kitset Panel Codes: APPK1216, APPK1516, APPK1816

Gaps between slats varies between different panel designs (see next page)

Colour options: Ebony

Custom colour options available

## EACH PANEL CONTAINS

14 x 60x25mm Slats cut to suit desired height.

14 x 60 x 25mm Slat end caps

2 x 1650 Oblique channels with channel caps

64 Tek screws per panel

Posts: Panel posts need to be ordered separately



# The Landscape Panel

## SIZING

Post Centers: 1980mm

Fence Panel Heights: 1200, 1500, 1800mm

Slat Sizes: 60 x 25mm

Assembled Panel Codes: ALPA1216, ALPA1516, ALPA1816

Kitset Panel Codes: ALPK1216, ALPK1516, ALPK1816

Gaps between slats varies between different panel designs (See next page)

Colour options: Ebony

Custom colour options available

## EACH PANEL CONTAINS

17 x 60x25mm Slats Cut to suit desired height.

17 x 60 x 25mm Slat end caps

2 x 1650 Oblique Channels with channel caps

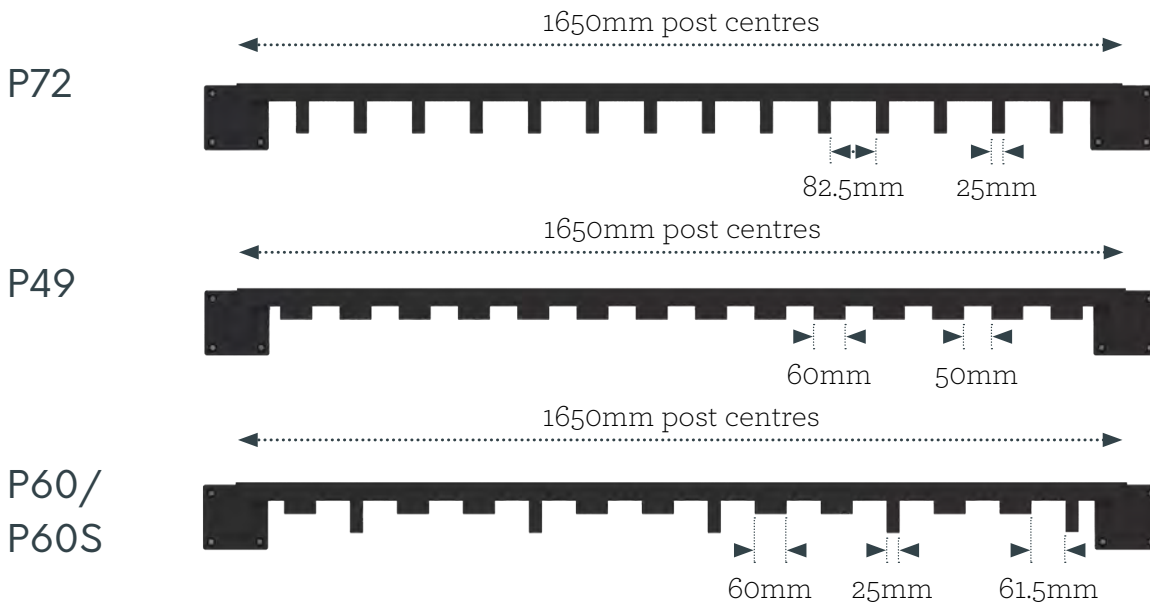
76 Tek Screws per panel

Posts: Panel posts need to be ordered separately

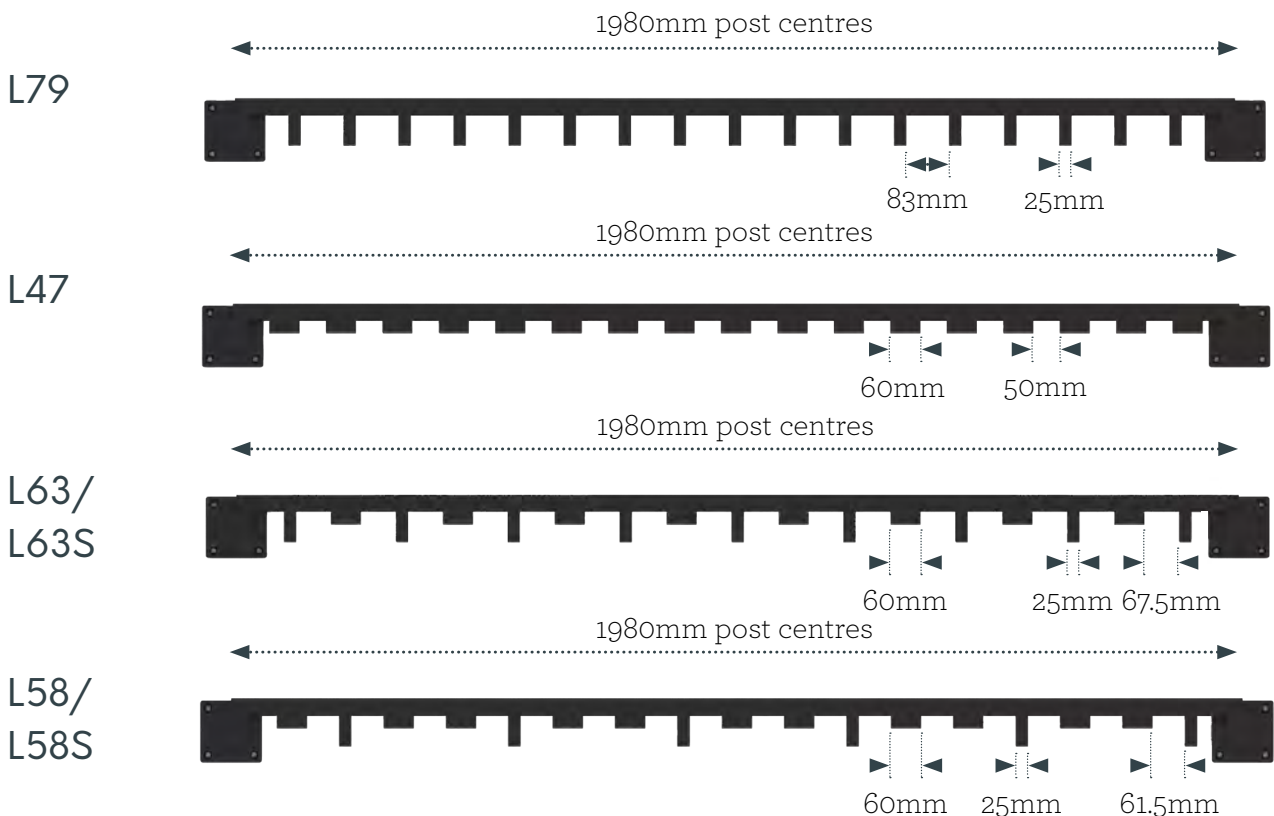


# Slat Spacing

## POOL



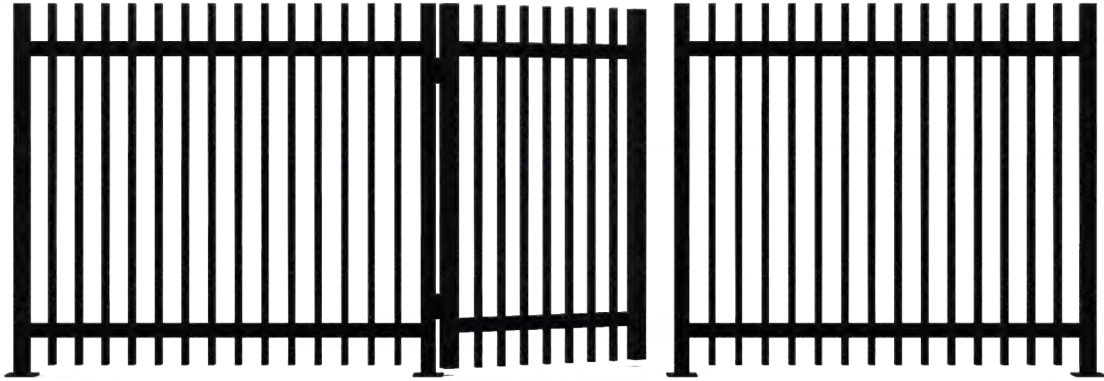
## LANDSCAPE



# Pool Panel Designs

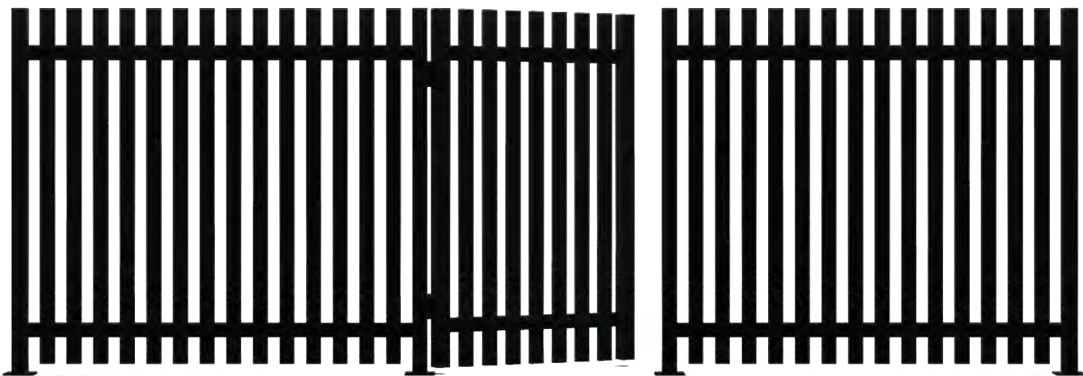
---

## PANEL DESIGN P72



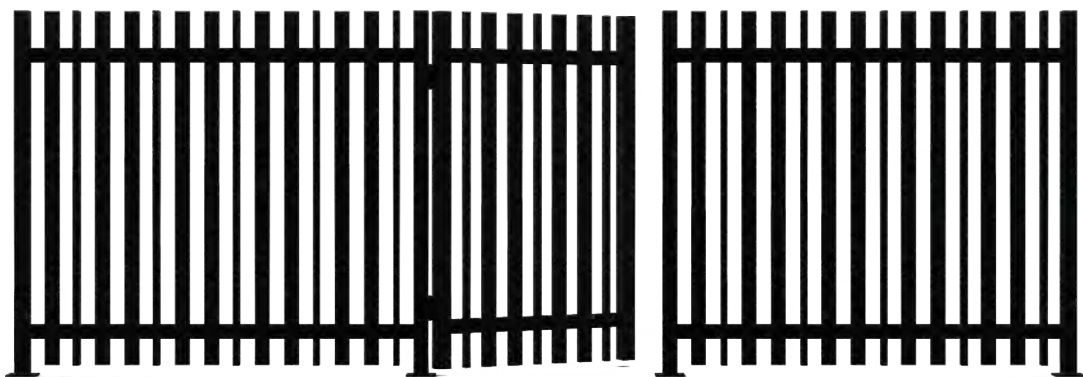
72% Permeability

## PANEL DESIGN P49



49% Permeability

## PANEL DESIGN P60

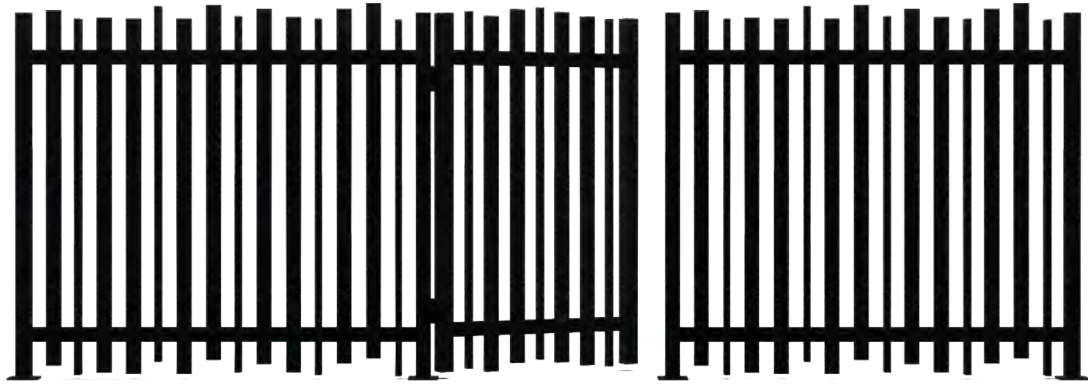


60% Permeability

## KITSET PANEL or PRE-MADE PANELS?

Both the Pool and Landscape panels can be made into any of the following designs. When purchasing, you may either order in a full kitset panel to be assembled by yourself or order as a pre-made panel. Gates come pre-assembled.

## PANEL DESIGN P60S (Staggered Design)



60% Permeability



- \* If you are making your panels with a kitset to surround a pool area please ensure you assemble the panels to comply with Building code F9. You will find the document online here...

Copy Link:

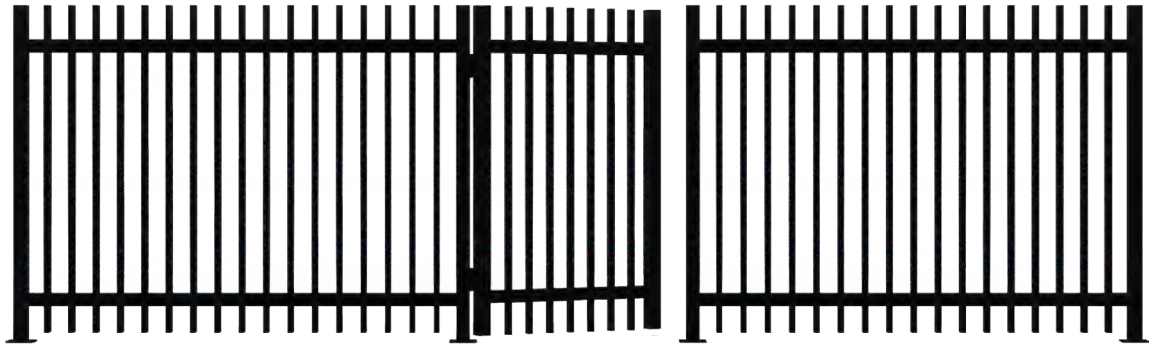
<https://www.building.govt.nz/building-code-compliance/f-safety-of-users/pool-safety/>

**PS1's available for Pool fencing**

# Landscape Panel Designs

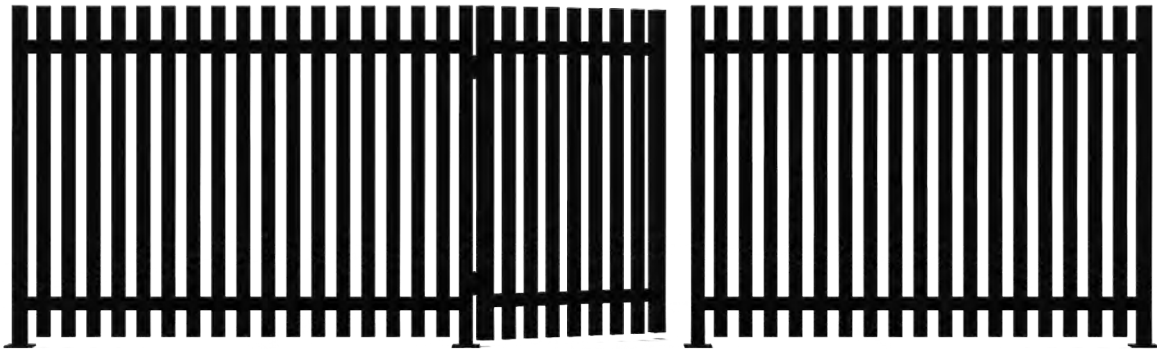
---

## PANEL DESIGN L79



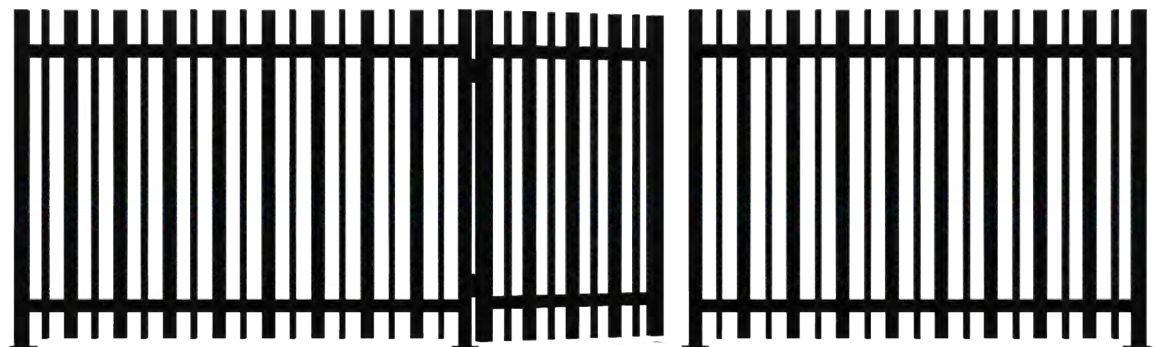
79% Permeability

## PANEL DESIGN L47



47% Permeability

## PANEL DESIGN L63

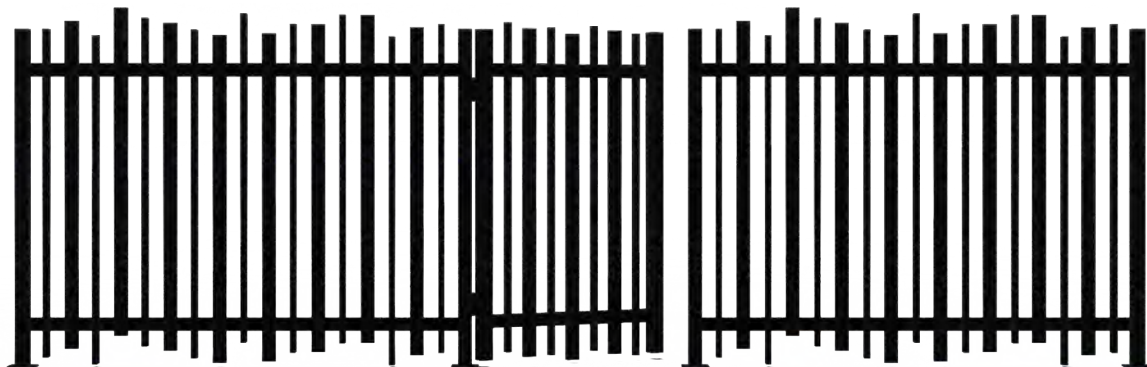


63% Permeability

## KITSET PANEL or PRE-MADE PANELS?

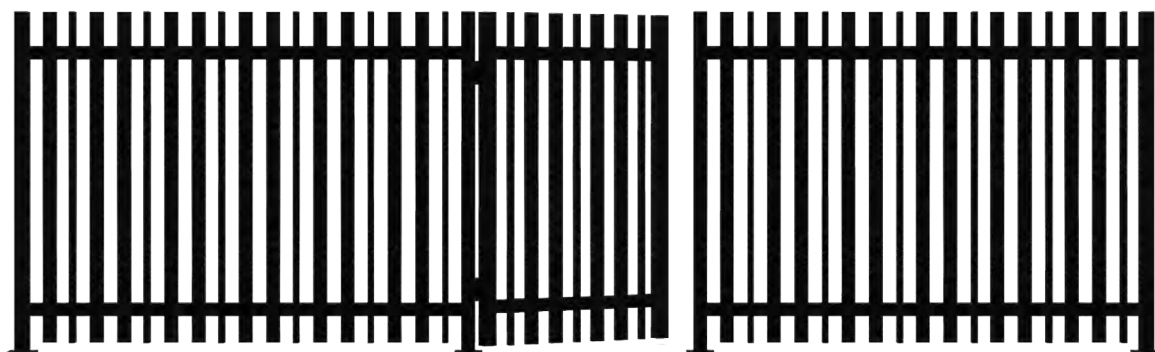
Both the Pool and Landscape panels can be made into any of the following designs. When purchasing, you may either order in a full kitset panel to be assembled by yourself or order as a pre-made panel. Gates come pre-assembled.

### PANEL DESIGN L63S (Staggered Design)



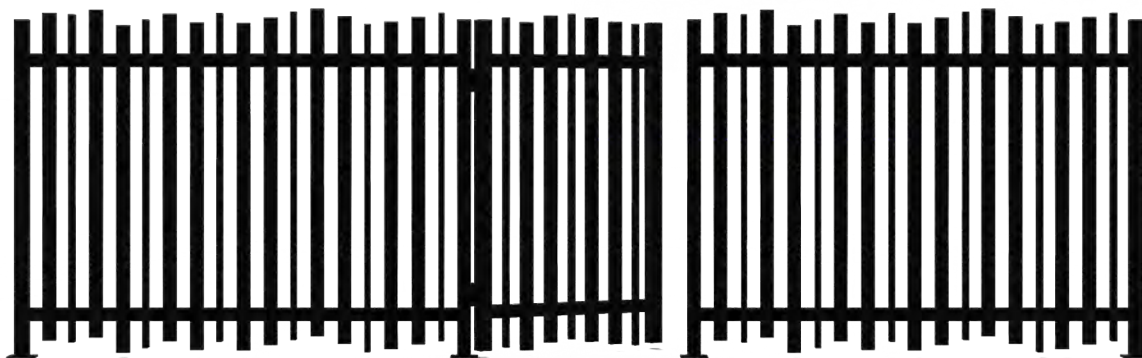
63% Permeability

### PANEL DESIGN L58



58% Permeability

### PANEL DESIGN L58S (Staggered Design)



58% Permeability





# Solid Panel Fencing



Scan to view all  
Belaire fence drawings

BelAire®  
DESIGNER FENCING

*...make it your own!*





# Solid Acoustic Panel Fencing

In today's world, noise reduction is one of the leading concerns across New Zealand home owners. The BelAire range of acoustic fences and noise barriers have been specifically engineered to meet the acoustic demands of our modern world.

We handle a variety of noise reduction concerns; from general neighbourhood noise, to road noise, to high-performance noise absorption enclosures for pool pumps and HVAC units. On average, our acoustic fences and road noise barriers typically achieve a 20-30dB reduction (depending on noise source and noise type), which equates to a quartering of loudness.

Understanding 'loudness', or the human perception of sound, can be tricky; but you can test just how much difference this makes with the simple help of a video and its volume controls. First, watch the video at 100% volume. Then, reduce the volume to 25%; this is the potential noise reduction that our acoustic fences offer.

Put the controls back into your hands; turn down the volume of loud neighbours and traffic noise today.

## ACOUSTIC FENCING

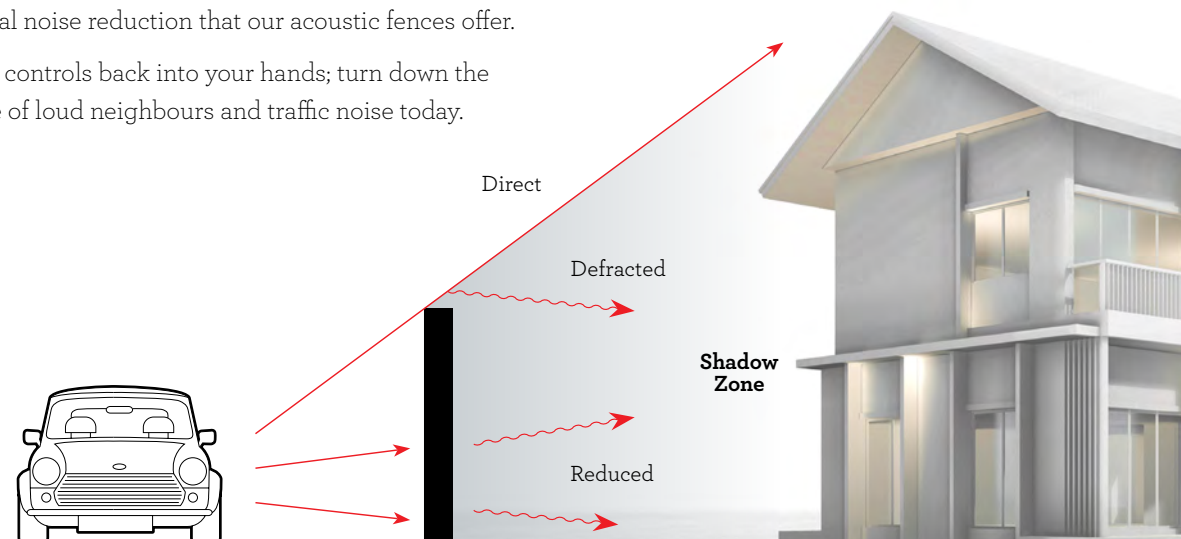
BelAire solid wall systems are acoustically tested and rated, keeping all unwanted surrounding noises at bay and providing peace and quiet for your home.

## ECO FRIENDLY

Our innovative products are made of recyclable materials, with our manufacturing processes reducing emitted and embodied CO<sub>2</sub> by up to 80%.

## NZ MADE

All BelAire walls products are NZ designed and manufactured to strict international quality standards.





BelAire®  
DESIGNER FENCING

*...make it your own!*

# Solid Panel Fencing

## MODULAR SYSTEM

BelAire solid panel fencing is the most advanced modular fencing system available in New Zealand today.

## DESIGNED BY YOU

With the Classic, Signature and Estate styles to choose from, you can design your fence to suit your lifestyle. Our fences and posts are all fully paintable so that you can complement or match the colour of your property.

You can also add stylish slat, louvre, tubular or glass infills, plus there is a choice of flush or exposed capping for posts and panels – the options for your fence are only limited by your imagination.

## COST-EFFECTIVE

BelAire solid panel fencing has all the properties of a block wall at a fraction of the cost and mess!

## BUILT TO LAST

Our pre-primed, galvanized, high-tensile support posts are very light yet structurally very strong. Our EPS/fibre cement panels are designed to withstand the typical demands placed on a fence in any environment.

## EASY (DIY) INSTALLATION

Our fences are designed to be assembled with ease. There is no need for heavy construction and digging

equipment, or cranes – BelAire panels can be easily handled by two people. They are easy to install in difficult-to-access areas such as back yards or annexed ground.

**We provide step by step self-install instructions that any competent DIY person should be able to follow,** but if you'd rather get someone else to install it, we have a list of preferred installers throughout NZ. Call us on 0800 235 2473 and we will put you in touch with an installer in your area.

## WARRANTY

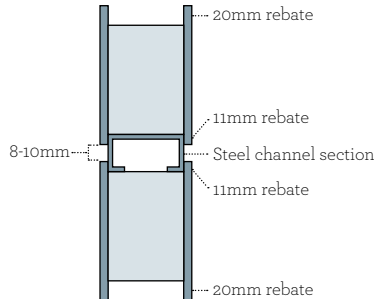
New Zealand-made with a 5-year warranty period. Be assured that with very little maintenance your fence will give you great privacy and security for many years to come. Only the finest raw materials have been used in the construction of your fence. The suppliers of these raw materials state that they have a design life well in excess of 20 years. With this assurance we offer you a replacement warranty for any component of your new fencing if it fails within 5 years\* from date of purchase.



\*2yr Warranty within a 1500m sea spray zone.

## EXPOSED JOIN OR CLOSED JOIN?

An exposed join is recommended – it is more forgiving if you haven't quite got the panels 100% level, and also gives a much more attractive result.

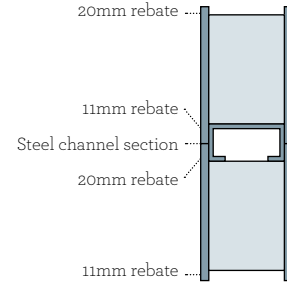


### << How to achieve a exposed join

Insert the steel channel section into the 11mm rebate in the panels

### How to achieve a Closed join >>

Insert the steel channel section into the 20mm rebate in the bottom panel



## NOISE BARRIER

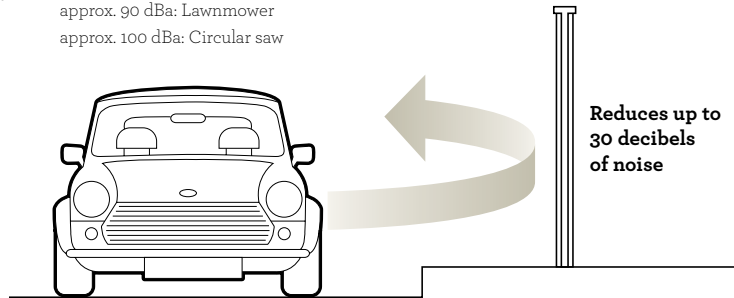
Our patented solid Poly-fibre cement composite sandwich panels are designed to reflect noise. The acoustic performance of this product was evaluated by the Acoustics Research Group at the University of Canterbury and a comprehensive report is available on request.

### TYPICAL TRAFFIC NOISE – 12m from road edge

approx. 60 dBa: 2-lane urban road, 6,000 vehicles per day @ 50kph  
approx. 68 dBa: 4-lane motorway, 25,000 vehicles per day @ 100kph

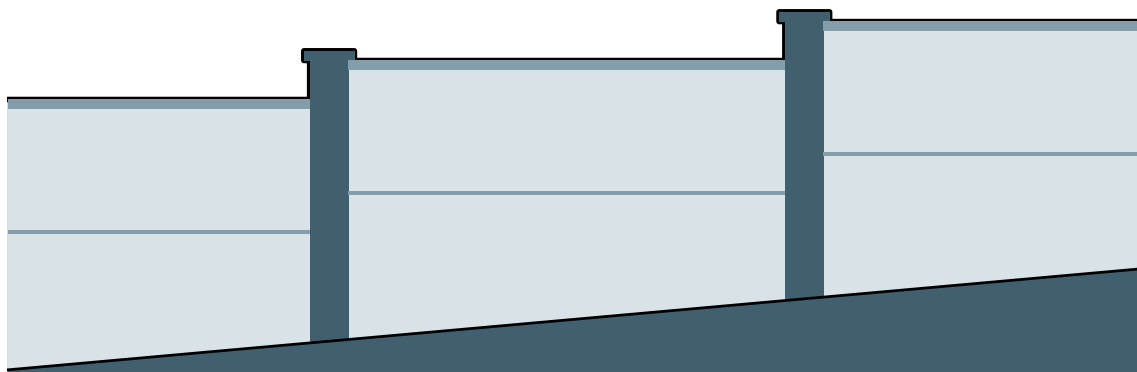
### TYPICAL OTHER NOISE

approx. 90 dBa: Lawnmower  
approx. 100 dBa: Circular saw



## THE ALL-TERRAIN FENCE

BelAire solid panels can be easily cut using a circular saw with a timber blade. This will allow you to easily and neatly follow the terrain of your property.



# CLASSIC

Post dimensions: 120mm (deep) x 180mm (face) 0.95 mm BMT

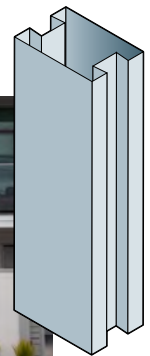
Panel thickness: 50mm

Density of composite panel materials: 15.49kg/m<sup>2</sup>

Suitable for fence heights: 900mm – 2400mm

Post centres: 2530mm, 2830mm

The classic fence is the most cost effective of the styles and most commonly used in residential boundary/screening fence applications. Suitable for less challenging terrain, this style of fence will provide great sound reduction qualities. Also suited to lower fence designs – 1200mm and 1500mm high.



# SIGNATURE

Post dimensions: 140mm (deep) x 280mm (face) 0.95 mm BMT

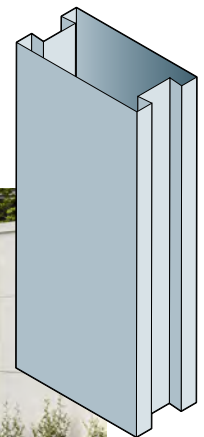
Panel thickness: 70mm

Density of composite panel materials: 15.49kg/m<sup>2</sup>

Suitable for fence heights: 900mm – 3000mm

Post centres: 2630mm, 2930mm

The Signature fence, our most popular line, is most commonly used where a true masonry wall look is desired, or in a commercial and residential security/sound fence application. The fence has superb sound reduction qualities (National Acoustic Laboratory tested).



# ESTATE

Post dimensions: 210mm (deep) x 320mm (face) 0.95 mm BMT

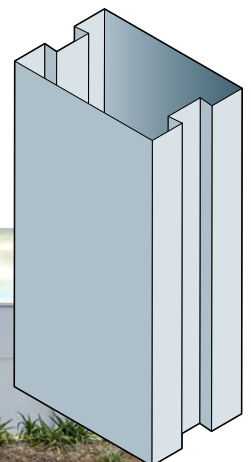
Panel thickness: 70mm

Density of composite panel materials: 15.49kg/m<sup>2</sup>

Suitable for fence heights: 900mm – 3000mm

Post centres: 2670mm, 2970mm

The Estate fence is most commonly used where a 'Grand' masonry wall look is desired. The post face is equivalent to a brick and a half in width, and the fence has superb sound reduction qualities (National Acoustic Laboratory tested).



# CLASSIC

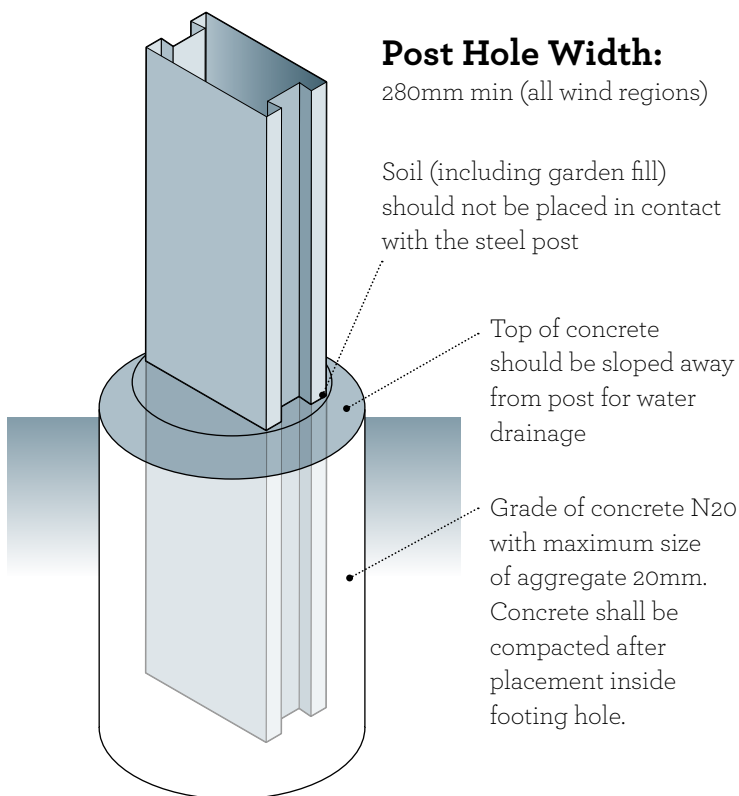
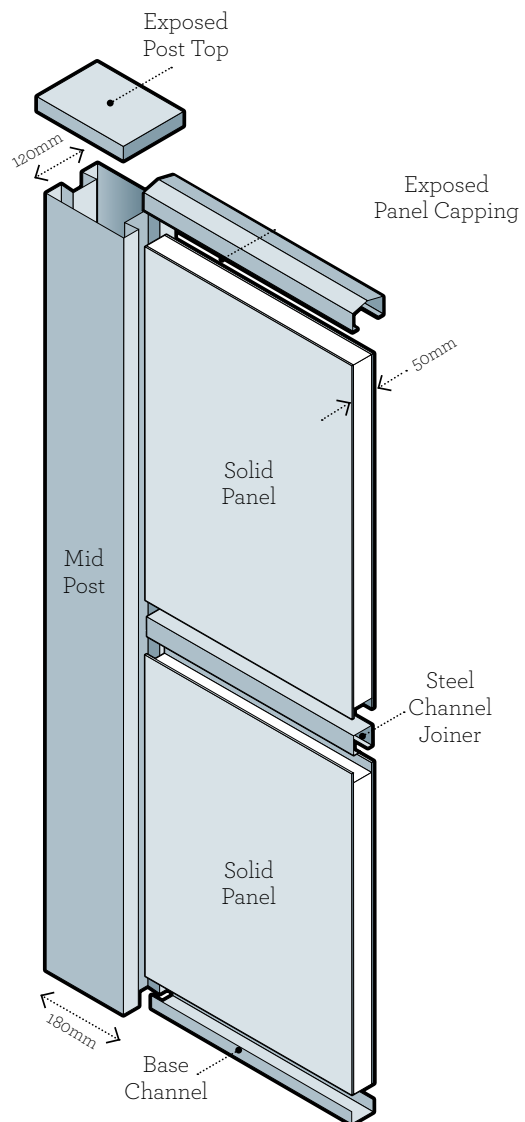
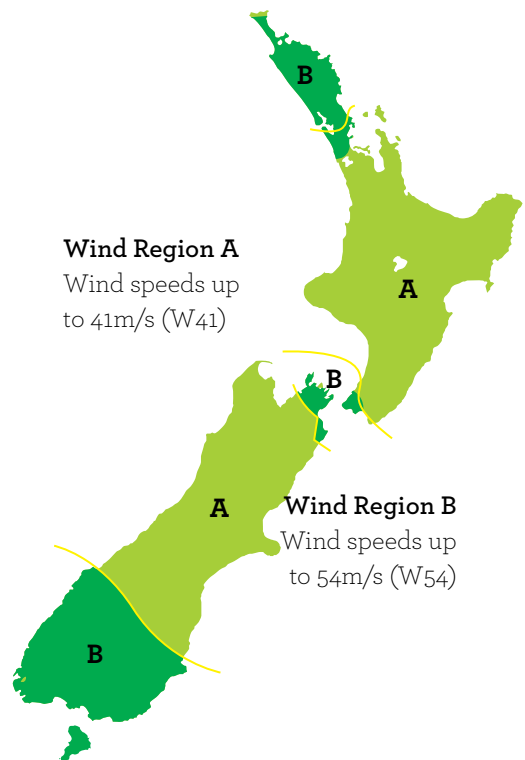
## SPECIFICATIONS

### Centre to Centre Guide

Panel Length	Post Hole Centres
2400mm	> 2530mm
2700mm	> 2830mm

### Post Hole Depth Guide Wind Regions A&B

Hole Depth Into Firm Earth Or Clay	Fence Height	Hole Depth Into Sand, Soft Clay Or Loose Earth
450mm	> 900mm	> 550mm
550mm	> 1200mm	> 650mm
600mm	> 1500mm	> 700mm
650mm	> 1800mm	> 800mm
700mm	> 2100mm	> 900mm
800mm	> 2400mm	> 1000mm

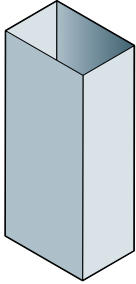


# CLASSIC

## PRE-PRIMED STEEL COMPONENTS

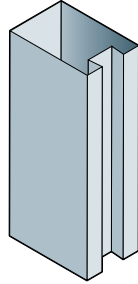
### Pillar

120mm (deep)  
 X 180mm (face)  
 X length subject to fence  
 height plus post hole depth



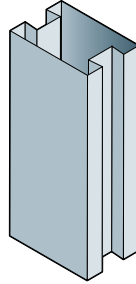
### End Post

120mm (deep)  
 X 180mm (face)  
 X length subject to fence  
 height plus post hole depth



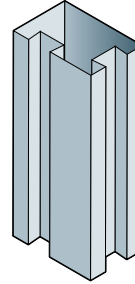
### Mid Post

120mm (deep)  
 X 180mm (face)  
 X length subject to fence  
 height plus post hole depth



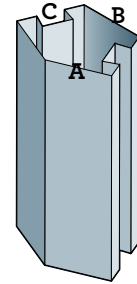
### 90° Post

120mm (deep)  
 X 180mm (face)  
 X length subject to fence  
 height plus post hole depth



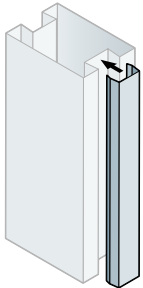
### 45°/Custom Angle Post

115mm (A) X 117mm (B)  
 X 120mm (C)  
 X length subject to fence  
 height plus post hole depth



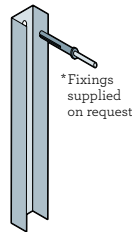
### Post Infill

30mm (deep)  
 X 50mm (face)  
 X length subject to  
 fence height



### Wall Mount Channel & Masonry Anchor\*

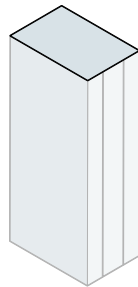
30mm (deep)  
 X 52mm (back face)  
 X length subject to  
 fence height



\*Fixings  
 supplied  
 on request

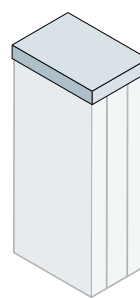
### Flush Post Top

120mm (deep)  
 X 180mm (face)  
 X 20mm (leg height)



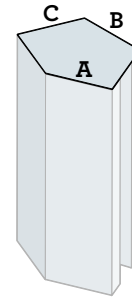
### Exposed Post Top

170mm (deep)  
 X 240mm (face)  
 X 40mm (height)



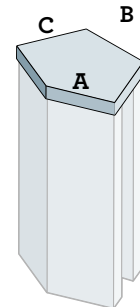
### Flush 45° Post Top

110mm (A) X 115mm (B)  
 X 118mm (C)  
 X 20mm (leg height)



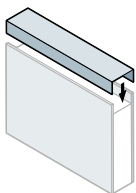
### Exposed 45° Post Top

145mm (A) X 145mm (B)  
 X 155mm (C)  
 X 40mm (height)



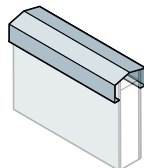
### Flush Panel Capping

20mm (leg height)  
 X 51mm (top face)  
 X length subject to  
 panel length



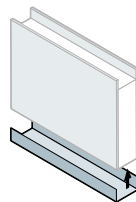
### Exposed Panel Capping

45mm (leg height)  
 X 80mm (top face)  
 X length subject to  
 panel length



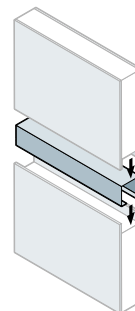
### Base Channel

20mm (leg height)  
 X 51mm (face)  
 X length subject to  
 panel length



### Steel Channel Joiner

30mm (deep) X 40mm (face)  
 X length subject to  
 panel length



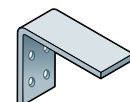
### Tek Screw

10/16 galvanised  
 tek screw  
 16mm (length)



### Support Bracket

35mm (deep)  
 X 40mm (face with holes) X  
 48mm (wide)



## CLASSIC INFILL PANELS

**Slat** and **Aurora** are also available to enhance your fencing. Please refer to the individual infill pages later in this section.

# SIGNATURE

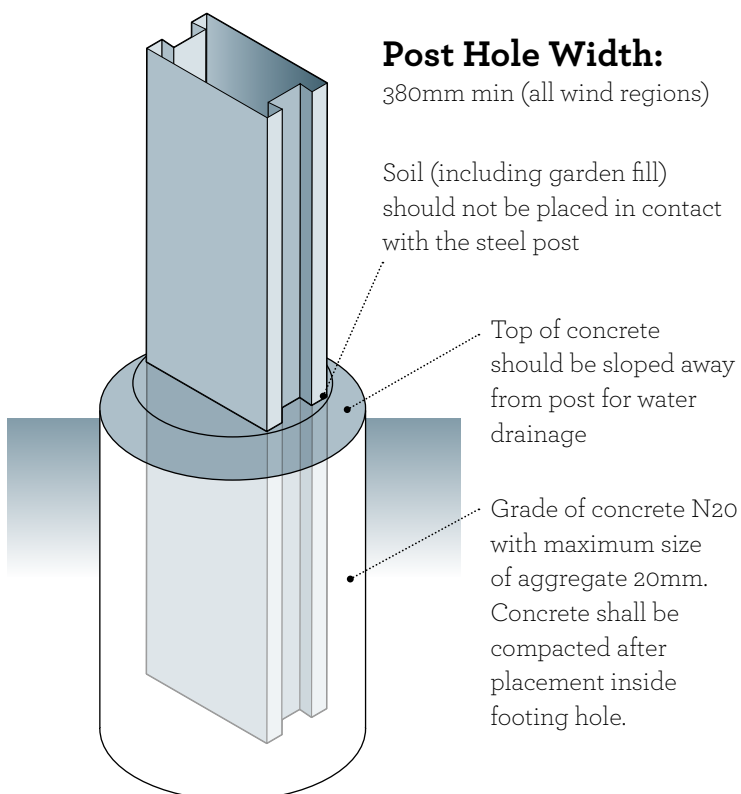
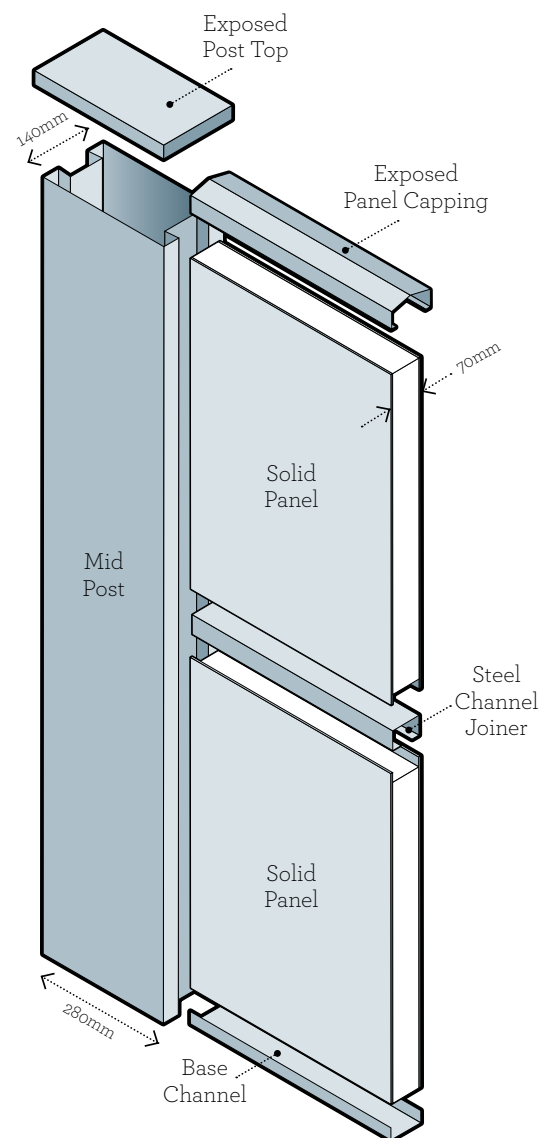
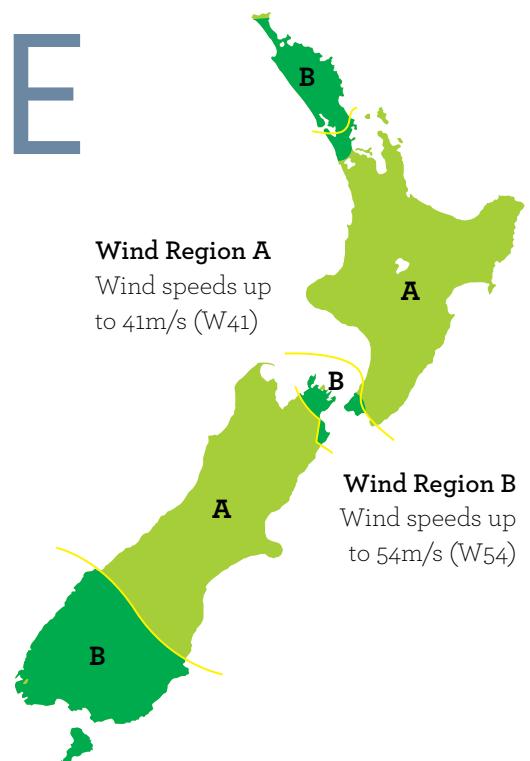
## SPECIFICATIONS

### Centre to Centre Guide

Panel Length	Post Hole Centres
2400mm	> 2630mm
2700mm	> 2930mm

### Post Hole Depth Guide Wind Regions A&B

Hole Depth Into Firm Earth Or Clay	Fence Height	Hole Depth Into Sand, Soft Clay Or Loose Earth
450mm	> 900mm	> 550mm
550mm	> 1200mm	> 650mm
600mm	> 1500mm	> 700mm
650mm	> 1800mm	> 800mm
700mm	> 2100mm	> 900mm
800mm	> 2400mm	> 1000mm
900mm	> 2700mm	> 1100mm
1000mm	> 3000mm	> 1200mm

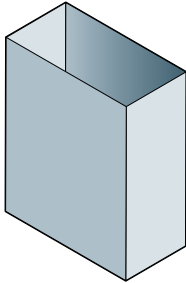


# SIGNATURE

## PRE-PRIMED STEEL COMPONENTS

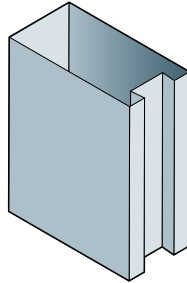
### Pillar

140mm (deep)  
 × 280mm (face)  
 × length subject to fence  
 height plus post hole depth



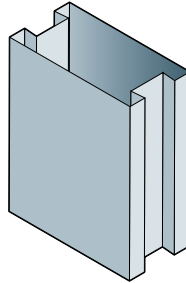
### End Post

140mm (deep)  
 × 280mm (face)  
 × length subject to fence  
 height plus post hole depth



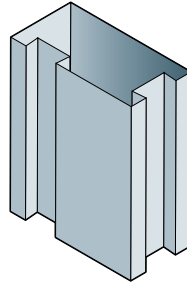
### Mid Post

140mm (deep)  
 × 280mm (face)  
 × length subject to fence  
 height plus post hole depth



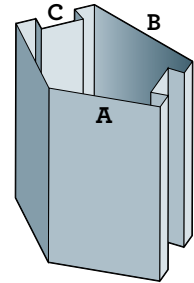
### 90° Post

140mm (deep)  
 × 280mm (face)  
 × length subject to fence  
 height plus post hole depth



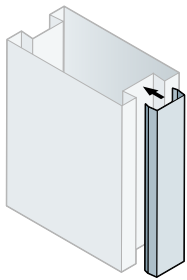
### 45°/Custom Angle Post

170mm (A) × 205mm (B)  
 × 137mm (C)  
 × length subject to fence  
 height plus post hole depth



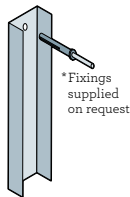
### Post Infill

30mm (deep)  
 × 70mm (face)  
 × length subject to  
 fence height



### Wall Mount Channel & Masonry Anchor\*

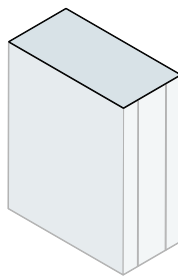
30mm (deep)  
 × 72mm (back face)  
 × length subject to  
 fence height



\* Fixings  
 supplied  
 on request

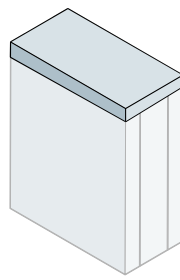
### Flush Post Top

140mm (deep)  
 × 280mm (face)  
 × 20mm (leg height)



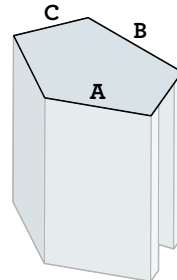
### Exposed Post Top

190mm (deep)  
 × 330mm (face)  
 × 40mm (height)



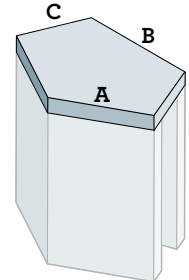
### Flush 45° Post Top

165mm (A) × 199mm (B)  
 × 139mm (C)  
 × 20mm (leg height)



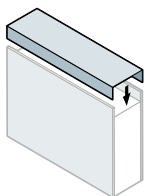
### Exposed 45° Post Top

200mm (A) × 230mm (B)  
 × 180mm (C)  
 × 40mm (height)



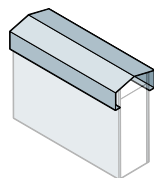
### Flush Panel Capping

20mm (leg height)  
 × 71mm (top face)  
 × length subject to  
 panel length



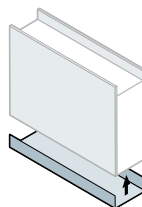
### Exposed Panel Capping

55mm (leg height)  
 × 100mm (top face)  
 × length subject to  
 panel length



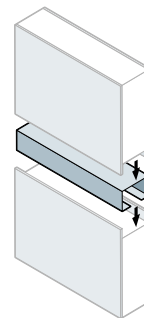
### Base Channel

20mm (leg height)  
 × 71mm (face)  
 × length subject to  
 panel length



### Steel Channel Joiner

30mm (deep) × 60mm (face)  
 × length subject to  
 panel length



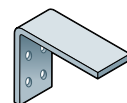
### Tek Screw

10/16 galvanised  
 tek screw  
 16mm (length)



### Support Bracket

40mm (deep)  
 × 60mm (face with holes) ×  
 78mm (wide)



## SIGNATURE INFILL PANELS

**Slat, Louvre, Aurora** and **Glass Infills** are also available to enhance your fencing. Please refer to the individual infill pages later in this section.



# ESTATE

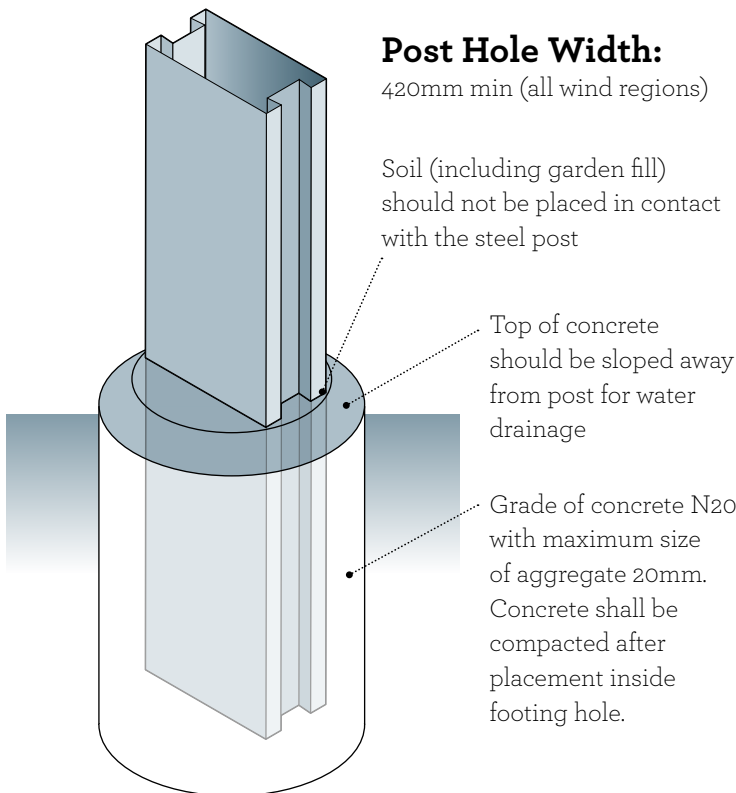
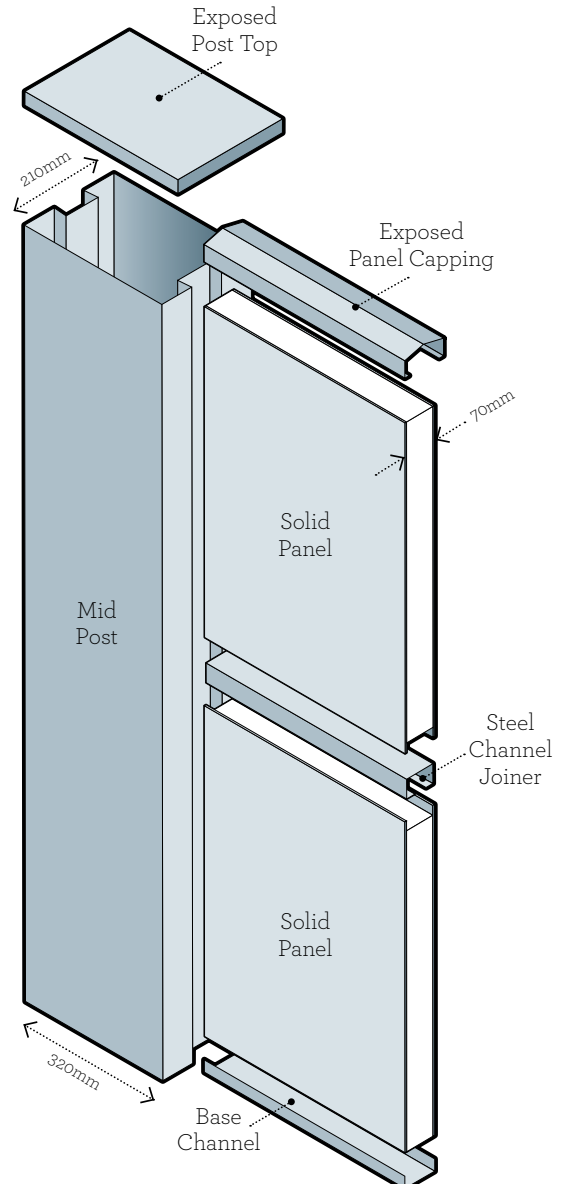
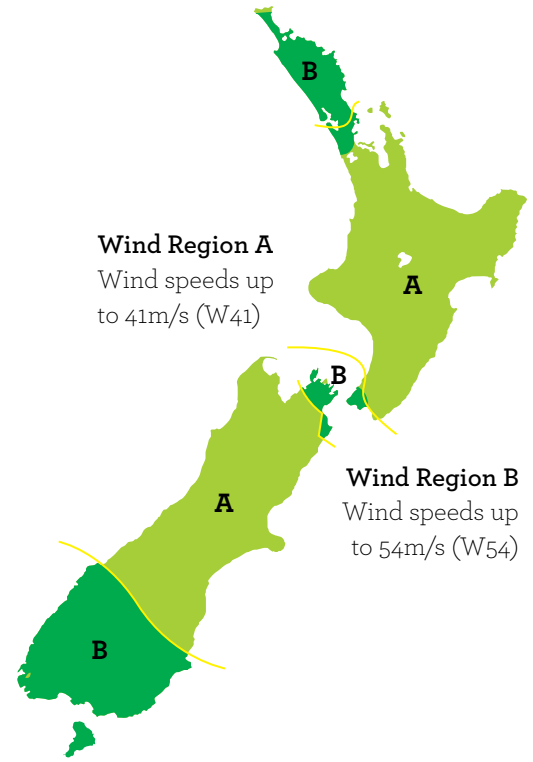
## SPECIFICATIONS

### Centre to Centre Guide

Panel Length	Post Hole Centres
2400mm	> 2670mm
2700mm	> 2970mm

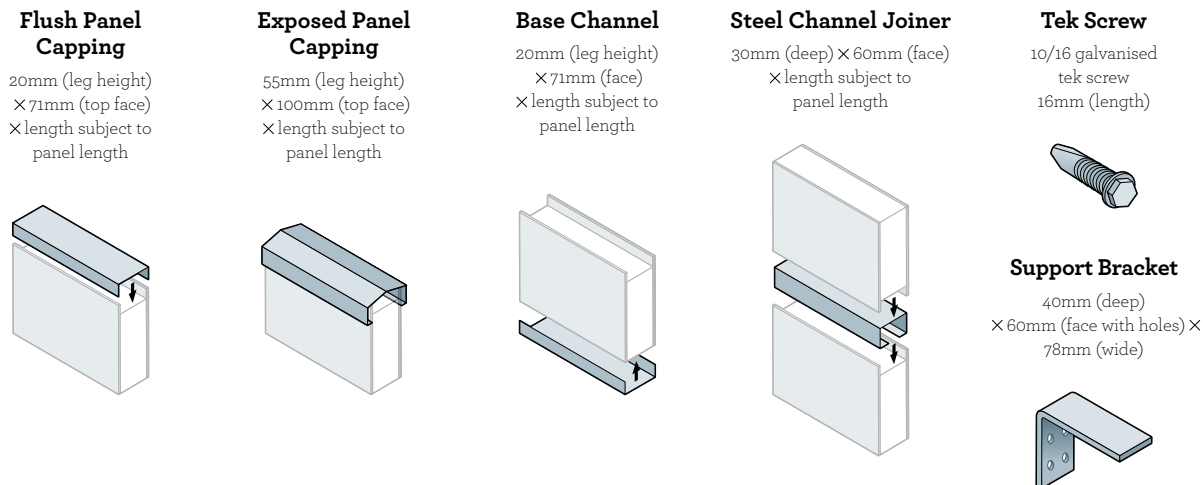
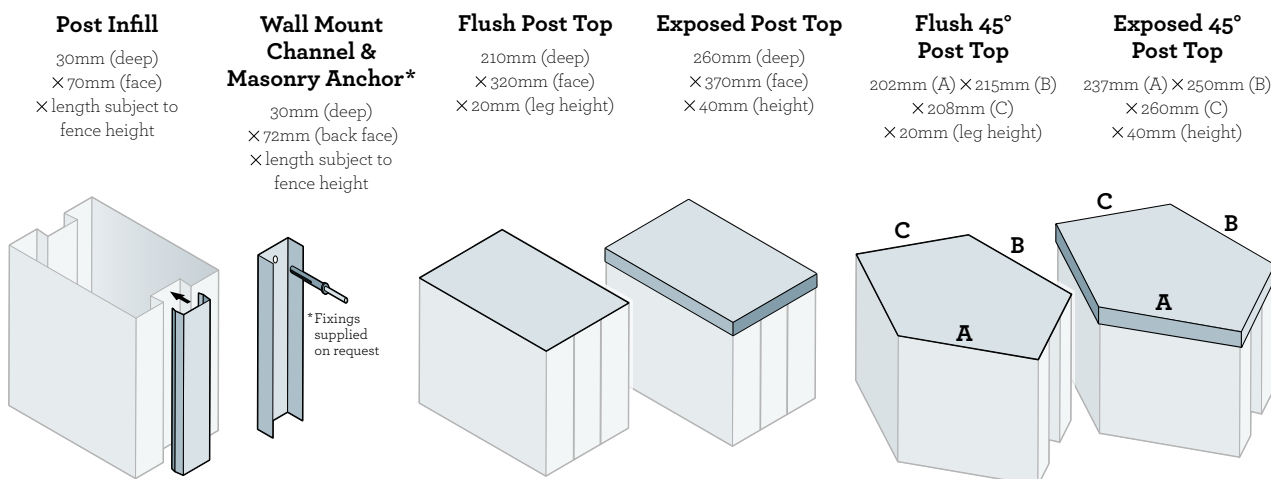
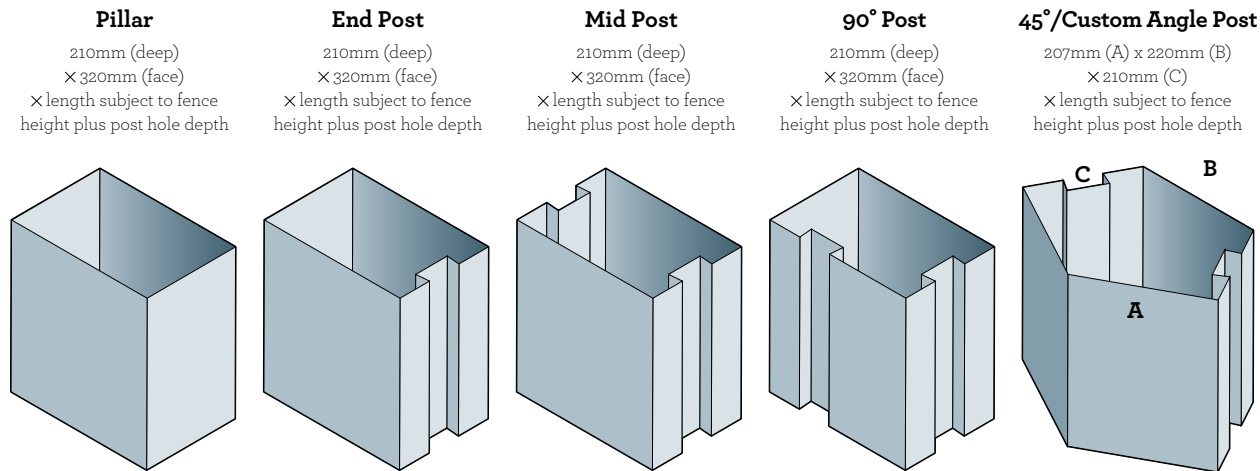
### Post Hole Depth Guide Wind Regions A&B

Hole Depth Into Firm Earth Or Clay	Fence Height	Hole Depth Into Sand, Soft Clay Or Loose Earth
450mm	> 900mm	> 550mm
550mm	> 1200mm	> 650mm
600mm	> 1500mm	> 700mm
650mm	> 1800mm	> 800mm
700mm	> 2100mm	> 900mm
800mm	> 2400mm	> 1000mm
900mm	> 2700mm	> 1100mm
1000mm	> 3000mm	> 1200mm



# ESTATE

## PRE-PRIMED STEEL COMPONENTS



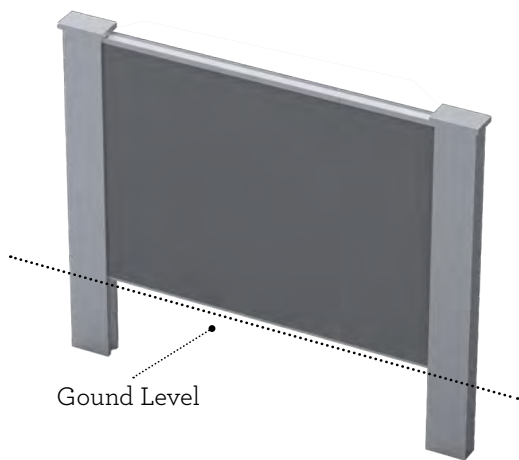
**ESTATE INFILL PANELS**  
Slat, Louvre, Aurora and Glass Infills are also available to enhance your fencing. Please refer to the individual infill pages later in this section.

# SOLID WALL CAPPING OPTIONS

---

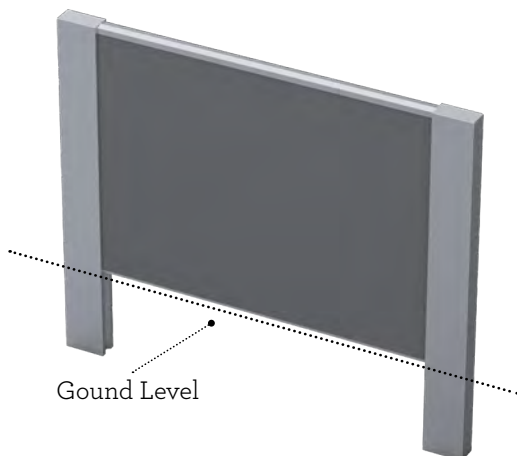
## FULL EXPOSED CAP

Exposed caps for panels and posts, will give your fence a timeless look.



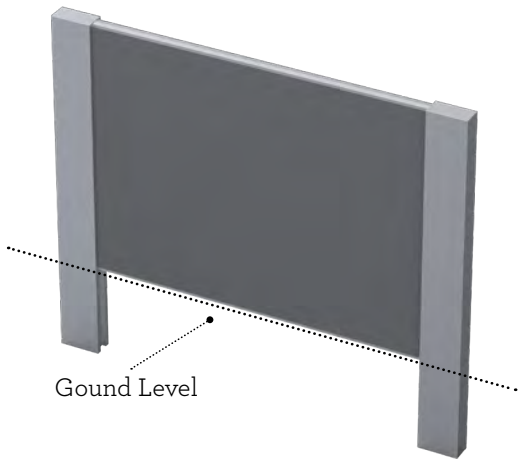
## EXPOSED PANEL CAPS

Exposed panels caps with flush post caps, for sleek style.



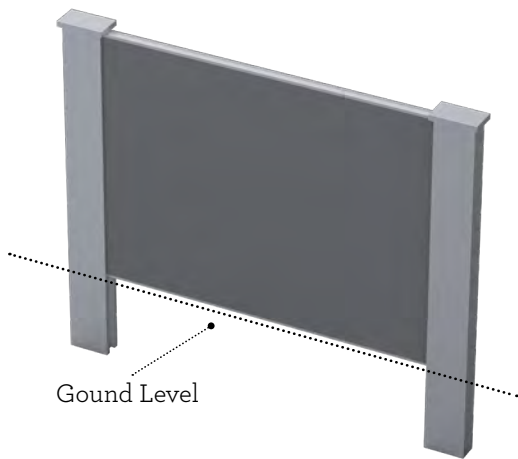
# FLUSH CAP

Flush capping for panels and posts, for a minimalist modern look.



# EXPOSED POST CAPS

Exposed posts caps with flush panel caps, for a basic style.



# CLASSIC PANELS

## SOLID PANELS

**Construction:**

5mm fibre cement outer skins  
40mm expanded polystyrene core

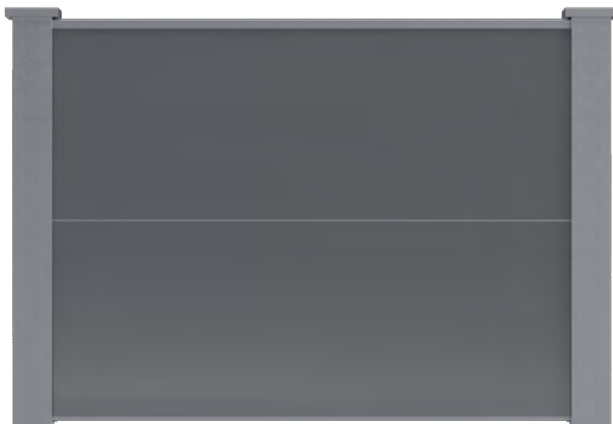
2400mm (length) x 600mm (height) x 50mm (width)

2400mm (length) x 900mm (height) x 50mm (width)

2400mm (length) x 1200mm (height) x 50mm (width)

2700mm (length) x 900mm (height) x 50mm (width)

2700mm (length) x 1200mm (height) x 50mm (width)



# SIGNATURE • ESTATE PANELS

---

## SOLID PANELS

**Construction:**

5mm fibre cement outer skins

60mm expanded polystyrene core

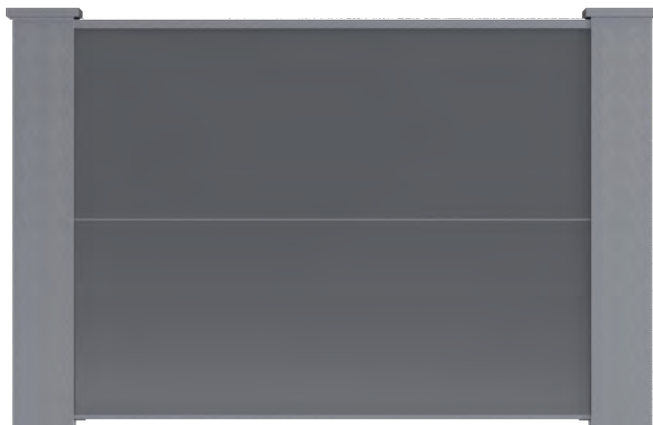
2400mm (length) x 600mm (height) x 70mm (width)

2400mm (length) x 900mm (height) x 70mm (width)

2400mm (length) x 1200mm (height) x 70mm (width)

2700mm (length) x 900mm (height) x 70mm (width)

2700mm (length) x 1200mm (height) x 70mm (width)



# CLASSIC • SIGNATURE • ESTATE INFILL PANELS

## HORIZONTAL SLAT INFILL PANELS

Slat Infill Panel Height Options:

**300mm      900mm      1500mm**  
**600mm      1200mm      1800mm**

Slat Sizes:

**2330mm (length) x 60mm (height) x 25mm (width)**  
**2330mm (length) x 85mm (height) x 25mm (width)**  
**2630mm (length) x 60mm (height) x 25mm (width)**  
**2630mm (length) x 85mm (height) x 25mm (width)**

Slat Construction:

**Powdercoated aluminium**

**85mm x 25mm                      60mm x 25mm**

Construction

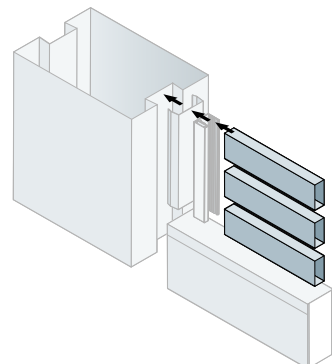
**Aluminium slat channel with cover, powdercoated to same colour as the slats.**

Slat Channel: 39mm x 32mm (includes screw cover plate)

Slat channel length will be cut to length required - total height of all slats plus gaps between slats, and gaps top and bottom.



**60mm only available in Ebony**



# CLASSIC • SIGNATURE • ESTATE INFILL PANELS

## VERTICAL SLAT INFILL PANELS

Slat Infill Panel Height Options:

**300mm      900mm      1500mm**  
**600mm      1200mm      1800mm**

Slat Sizes:

**2330mm (length) x 60mm (height) x 25mm (width)**  
**2330mm (length) x 85mm (height) x 25mm (width)**  
**2630mm (length) x 60mm (height) x 25mm (width)**  
**2630mm (length) x 85mm (height) x 25mm (width)**

Slat Construction:

**Powdercoated aluminium**

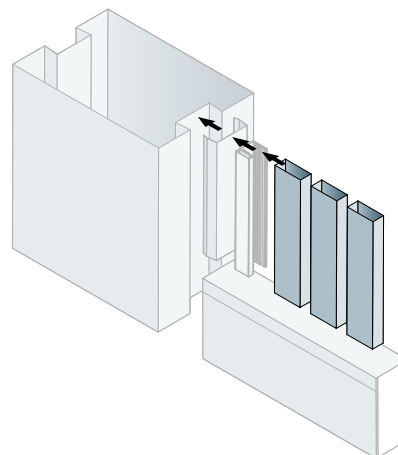
**85mm x 25mm                      60mm x 25mm**

Construction:

**Aluminium slat channel with cover, powdercoated to same colour as the slats.**

Slat Channel: 39mm x 32mm (includes screw cover plate)

Vertical Slat channel length will be cut to length required - Horizontal channels will be supplied ready to be trimmed down to the required length onsite.





# SIGNATURE • ESTATE INFILL PANELS

## LOUVRE INFILL PANELS

Louvre Infill Panel Height Options:

<b>350mm (3 louvres)</b>	<b>1200mm (10 louvres)</b>
<b>600mm (5 louvres)</b>	<b>1500mm (13 louvres)</b>
<b>900mm (8 louvres)</b>	<b>1800mm (15 louvres)</b>

Louvre Sizes:

**2400mm (length) x 136mm (height) x 32mm (width)**  
to suit 2400mm panels

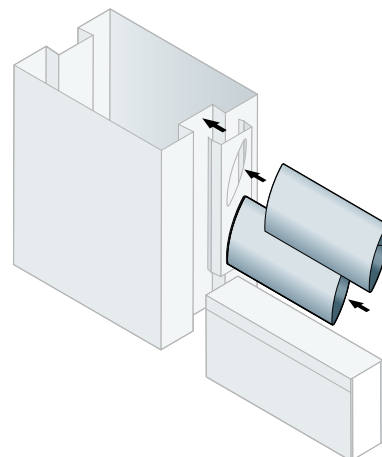
**2700mm (length) x 136mm (height) x 32mm (width)**  
to suit 2700mm panels

Construction:

**Powdercoated to your colour choice.**

**Aluminium Louvre 135mm x 30mm inserted into a prepunched steel Channel that accepts the louvre infill.**

Louvres may need to be cut shorter onsite to be inserted onto the fixing bar. The finished assembly can then be inserted between the posts.



# SIGNATURE • ESTATE INFILL PANELS

---

## AURORA INFILL PANELS

Aurora Infill Panel Height Options:

**900mm      1500mm**

**1200mm    1800mm**

Aurora Infill Panel Designs:

**See the Aurora pages for the range of different panel designs.**

Slat Construction:

**Powdercoated aluminium**

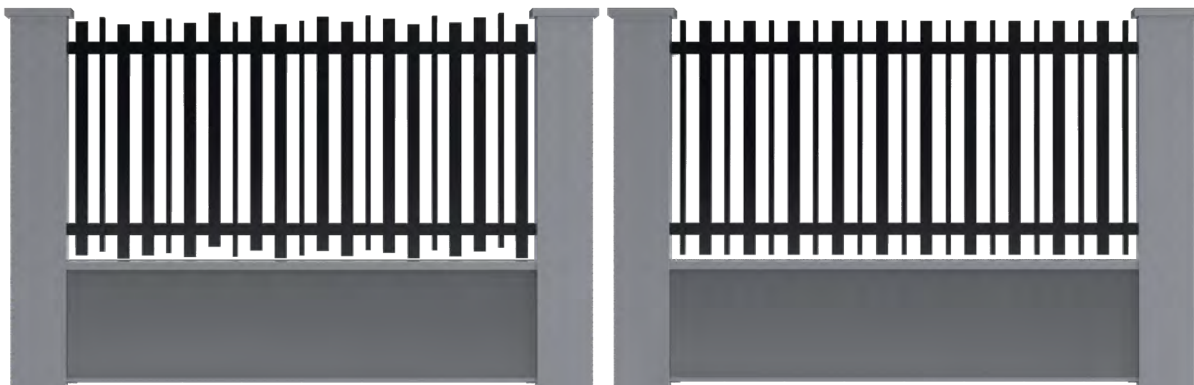
**60mm x 25mm**

Construction:

**Aluminium slat channel with cover, powdercoated to same colour as the slats.**

Slat Channel: 60mm x 32mm (includes screw cover plate)

Vertical Slat channel length will be cut to length required - Horizontal channels will be supplied ready to be trimmed down to the required length onsite.



# SIGNATURE • ESTATE INFILL PANELS

## GLASS INFILL PANELS

For the 70mm rebate in the Signature and Estate posts only

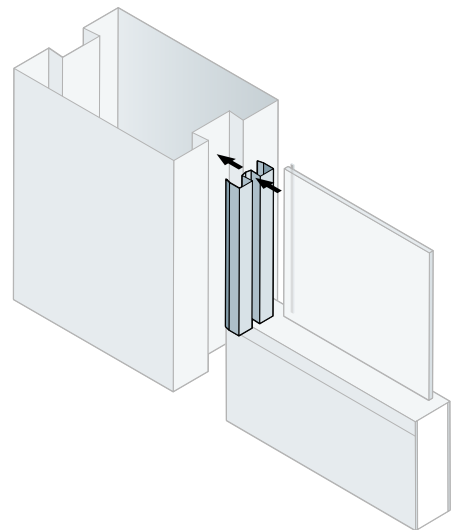
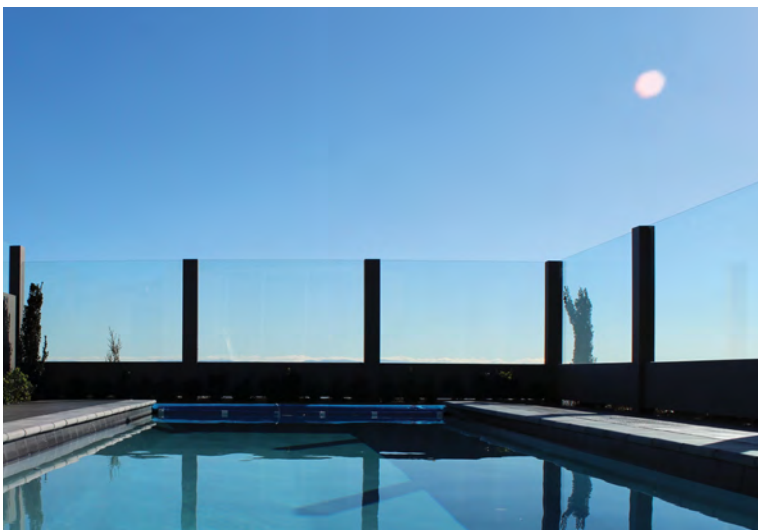
**Construction:**

12mm toughened safety glass

**2380mm (length) x 1200mm Max. (height)  
x 12mm (width)**

Max Glass Panel Size

**2400 Max (length) x 1200mm. (height)  
x 12mm (width)**



# Otaki Oasis

This home has taken full advantage of our product range and has integrated three distinct types of our fencing to delineate various zones within the property. Nestled in the outskirts of Otaki, this customer has used creativity in using our Estate Solid wall fencing as a wind break and privacy screen around the outdoor bath as well as the pool area. The project aims to blend functionality with aesthetic appeal while providing privacy, security, and character to the property.

Project Specifications:

**Estate Solid Wall**

**Full Exposed Capping**

**Horizontal Slat Infill**



# River Road Residence

This customer initially contacted us in 2010 with project requirements of boundary fencing along the front of her property and bordering off the pool area for ultimate privacy.

To meet her requirements, we offered a mix of Solid Acoustic wall at 2.1 meters high as well as our Signature Solid Wall at 2.1 meters high. This meant we were able to block out the traffic noise from River road and keep the pool area looking uniform to enhance the landscaping.

After 14 years, our marketing team recently revisited the site, only to find the fence looking near new!

Project Specifications:

**Signature Wall**  
60m x 2.1 high

**Acoustic Solid Wall**  
80m x 2.1m High



# Karaka Pines Retirement Village

Karaka Pines Retirement village in Rototuna, Hamilton, asked for an aesthetically pleasing boundary fence with noise reduction and privacy benefits.

Project Specifications:

**Estate Wall**

314m x 1.8m high

**Exposed Capping, Solid/Slat Bays**

900mm high with 900mm high of vertical 85mm slats with 33mm gaps

**Colour**

Painted double concrete, slats powder coated Grey Friars

**Client:** Karaka Pines Group Limited

**Architect:** Boffa Miskell

**Landscaper:** Evergreen Landcare LTD





# Commercial Acoustic Barriers

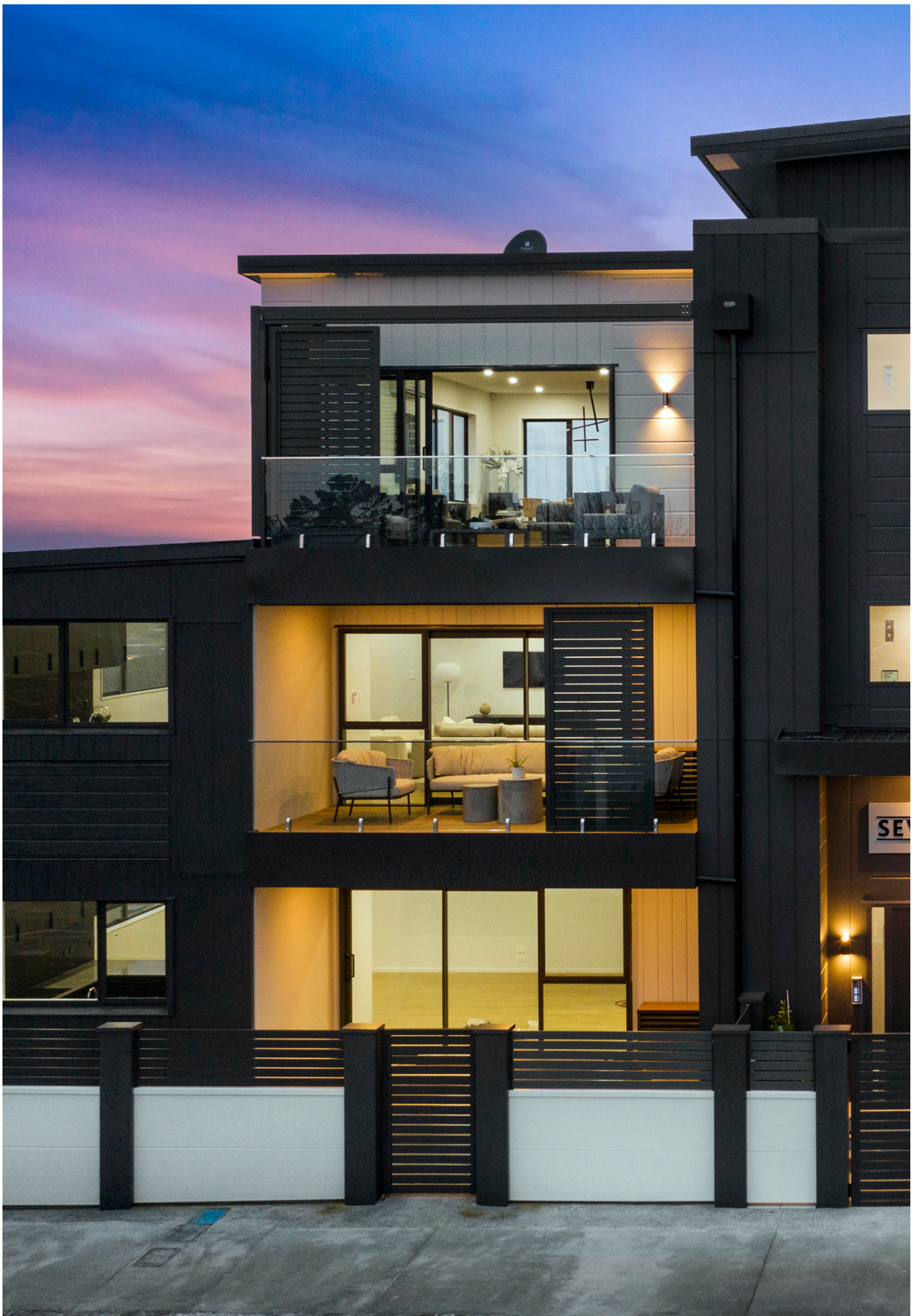


Scan to view all  
Belaire fence drawings

BelAire<sup>®</sup>  
DESIGNER FENCING

*...make it your own!*







**BelAire®**  
DESIGNER FENCING

*...make it your own!*

# Commercial Acoustic Barriers

## HOW DOES A NOISE BARRIER WORK?

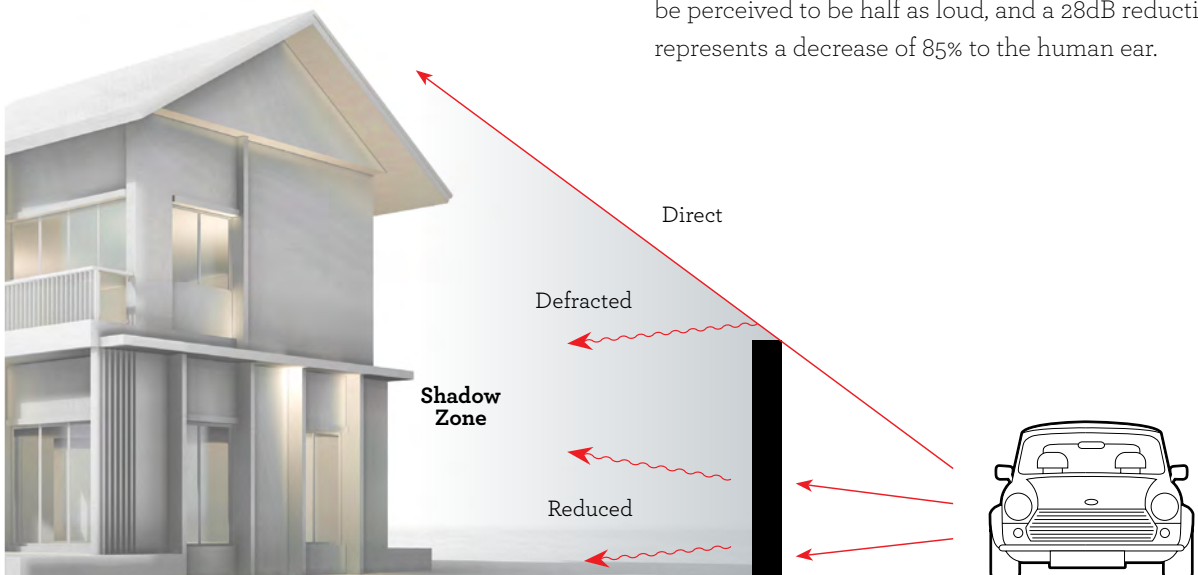
A noise barrier is a solid structure that intercepts and reduces sound within the shadow that it casts. The closer a barrier can be to the source or receiver and the higher it is, the more effective it will be, and, to be effective, the line of sight between the source and receiver must be blocked completely by the barrier.

**The standard BelAire 70mm panel, with its 60mm expanded polystyrene core, will reduce sound levels up to approximately 28 decibels\*.**

\*See "Acoustic Barrier Field Test". Levels in your own situation may differ due to environmental conditions such as ground type and surrounding objects or buildings. Frequency is also a factor - high frequency sounds are more effectively decreased than low frequencies.

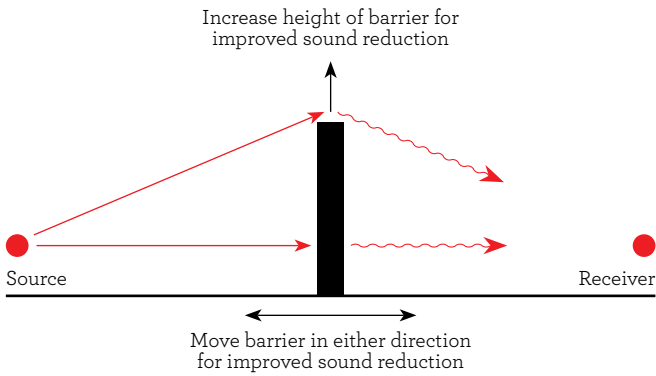
## HUMAN PERCEPTION OF SOUND

DID YOU KNOW? A decrease in noise of 10dB would be perceived to be half as loud, and a 28dB reduction represents a decrease of 85% to the human ear.



# COMMERCIAL ACOUSTIC BARRIERS

Decibels	Residential	Commercial
20dB	Whisper	Secluded Woods
45dB	Bedroom	Library
60dB	Conversation	Air Conditioning Unit
70dB	Living Room Music	Passing Cars
80dB	Factory Office	Passing Truck
90dB	Lawn Mower	Chainsaw
100dB	Motorbike	Jointer/Planer
110dB	Music Concert	Jack Hammer
120dB	Rock Concert	Jet Aircraft 150m away
140dB	Large Generator	Jet Aircraft 5m away



# ACOUSTIC FIELD TEST REPORT

Evaluated by the Acoustics Research Group at the University of Canterbury. A comprehensive report is available on request.

## PURPOSE:

It is the intention of this report to illustrate the performance of the BelAire barrier system in real-world applications. These testing environments were selected due to their ability to offer easily identifiable and comparable scenarios. This included:

- Origin of sound, its type and extent
- Geographical layout
- Barrier configuration

## SCOPE:

This information is to be used as a guide and in conjunction with the independent laboratory testing that has been performed on BelAire barriers. The test results reported below are an accurate account of the locations used. Should specific values be required for an application of the BelAire barrier system, it is recommended that a formal acoustic analysis be undertaken for that environment.

## TESTING EQUIPMENT SPECIFICATIONS

Digitech model	QM-1589
Standard applied	IEC651 type 2, ANSI S1.4 type2
Frequency range	31.5Hz-8kHz
Measuring level range	30-130dB (Low range 30-100dB used for these records)
Frequency weighting	A/C (A used for these records)
Microphone	½" electret condenser
Time weighing	Fast 125mS, Slow 1 Sec (Slow used for these records)
Accuracy	+/-1.5dB

## TEST 1 HIGHWAY ROAD NOISE

Origin source	6 lane highway (70Km/hr)
Location of barrier from origin	5.5m
Barrier type	4.0m barrier type wall (75mm panel)

### Readings at exposed side

Steady fluctuation	71-81dB
Peak reading	84dB
Minimum reading	68dB

### Readings at shielded side

Steady fluctuation	58-60dB
Peak reading	61dB
Minimum reading	56dB

### NOTES:

Further readings were taken at a distance of 5m back from the shielded side of the barrier (approx 10.5m from origin). Readings at this distance displayed a fluctuating range of 1 to 2dB higher than at the shielded face of the barrier. Readings at greater distances from the shielded face displayed only ambient sound levels and were not influenced by the fluctuating decibel range of the highway.

## TEST 2 DOMESTIC LAWNMOWER

Origin source	2-Stroke lawnmower
Location of barrier from origin	2m
Barrier type	2.1m traditional type wall (75mm panel)

### Readings at exposed side

Steady fluctuation	90-91dB (min/max reading also)
--------------------	-----------------------------------

### Readings at shielded side

Steady fluctuation	62dB (min/max reading also)
--------------------	--------------------------------

### NOTES:

A secondary reading was taken at a distance of 5 meters back from the shielded side of the barrier and a steady reading of 63 dB was recorded. This increase of approx 1dB is consistent with the highway values shown in Test 1. The peak and minimum readings for the lawnmower test are not listed due to them being identical to the steady output values.

# ACOUSTIC BARRIER POSTS

## FOR BARRIERS up to 3.0m HIGH

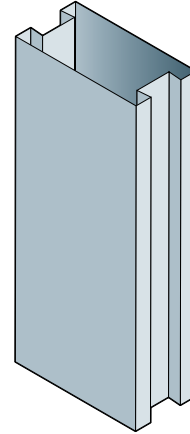
Post dimensions: 140mm (deep) x 280mm (face) 0.95 mm BMT

Panel thickness: 70mm

Density of composite panel materials: 15.49kg/m<sup>2</sup>

Suitable for fence heights: 900mm - 3000mm

Post centres: 2630mm, 2930mm



## FOR BARRIERS up to 3.1m – 5.1m HIGH

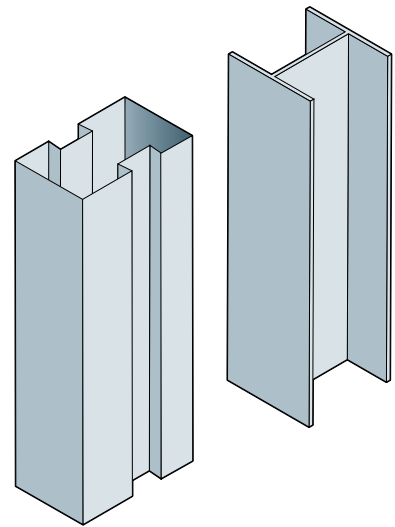
Post dimensions: 250mm (deep) x 150mm (face) 0.95 mm BMT

Panel thickness: 70mm

Density of composite panel materials: 15.49kg/m<sup>2</sup>

Suitable for fence heights: 3000mm - 5100mm

Post centres: 2470mm

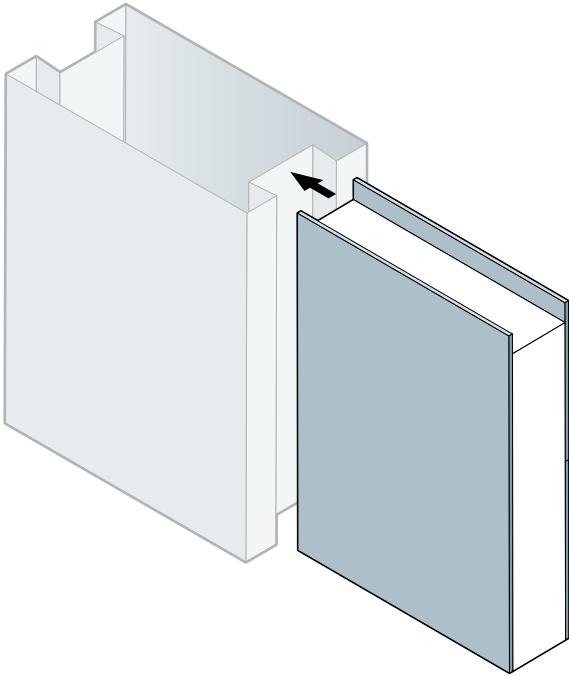


**NOTE: All barriers over 3m high need to be engineered to suit the wind regions and the ground conditions. Please contact us on 0800 235 2473 for more details.**

**Walls over 3000mm high will likely need to use a 100UC14 Column.**



# ACOUSTIC BARRIER PANELS



**Construction:**

5mm fibre cement outer skins

60mm expanded polystyrene core

2400mm (length) x 900mm (height) x 70mm (width)

2400mm (length) x 1200mm (height) x 70mm (width)



# Up to 4m HIGH

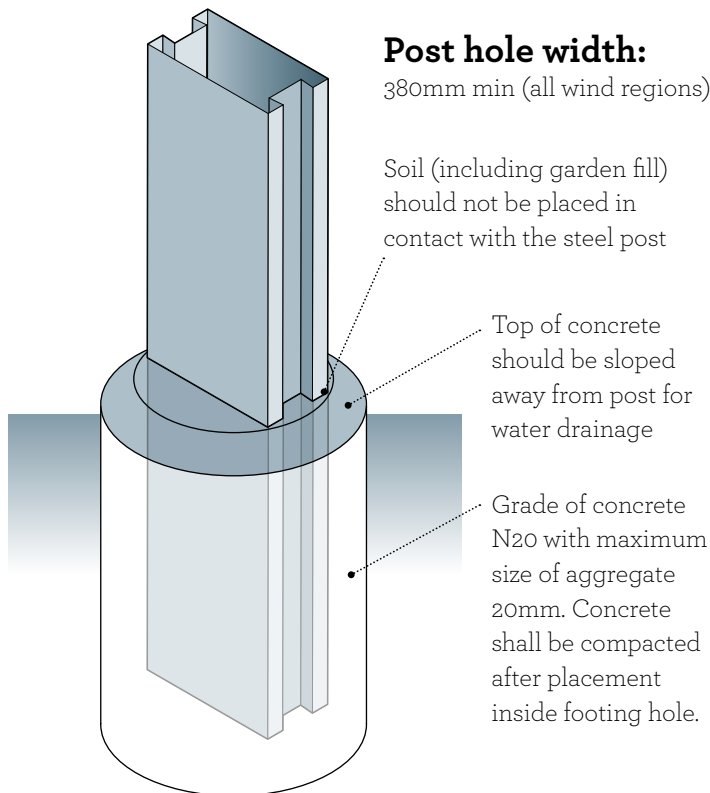
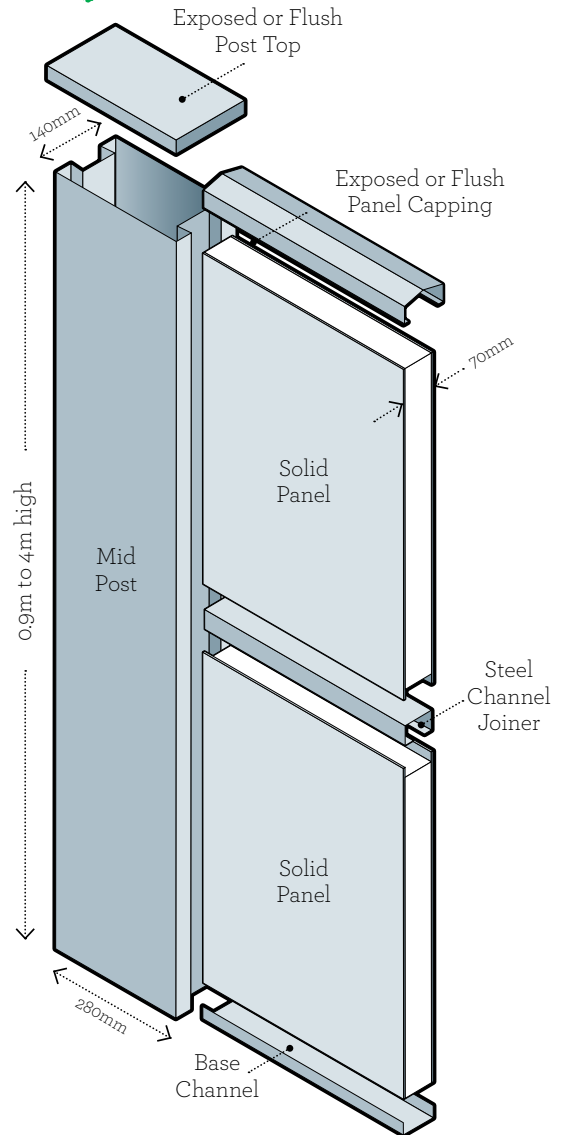
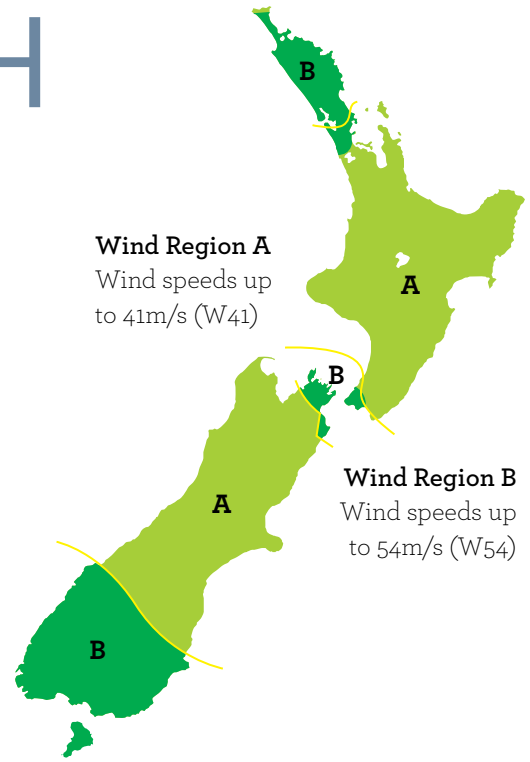
## SPECIFICATIONS

### Centre to centre guide

Panel length	Post hole centres
2400mm	> 2630mm
2700mm	> 2930mm

### Post hole depth guide Wind Regions A&B

Hole depth into firm earth or clay	Barrier height	Hole depth into sand, soft clay or loose earth
450mm	> 900mm	> 550mm
550mm	> 1200mm	> 650mm
600mm	> 1500mm	> 700mm
650mm	> 1800mm	> 800mm
700mm	> 2100mm	> 900mm
800mm	> 2400mm	> 1000mm
900mm	> 2700mm	> 1100mm
1000mm	> 3000mm	> 1200mm



# 4m to 6m HIGH

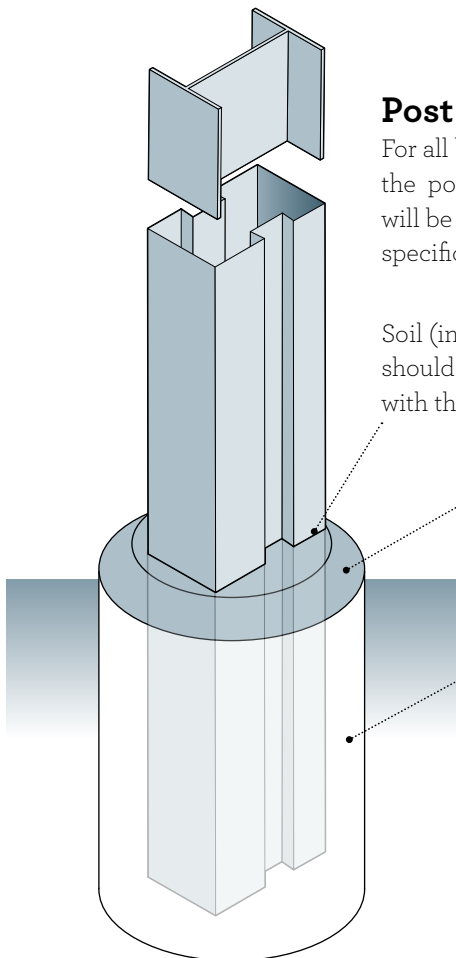
## SPECIFICATIONS

### Centre to centre guide

Panel length	Post hole centres
2400mm	> 2470mm

### Post hole depth guide

Post hole depths and hole sizes will be determined by either the engineer or once on-site soil tests have been done.



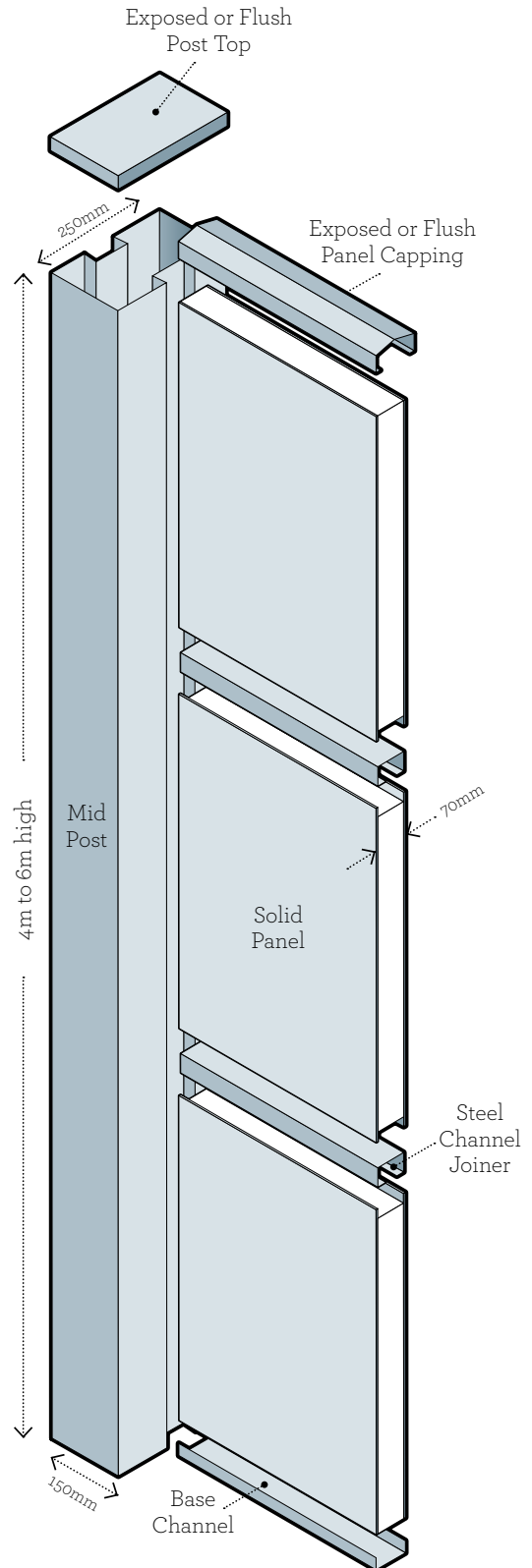
### Post hole width:

For all barriers over 3.1m high, the post hole width and depth will be determined by the specifics of each site.

Soil (including garden fill) should not be placed in contact with the steel post

Top of concrete should be sloped away from post for water drainage

Grade of concrete N20 with maximum size of aggregate 20mm. Concrete shall be compacted after placement inside footing hole.





# Early Education Centre

An early education centre in one of Hamilton's fast-developing subdivision were looking for a wall which provided them with maximum security and noise reduction. BelAire Fencing customised a 200m Classic wall with a fun and playful colour combination.

Project Specifications:

**Client:** Rob Berridge Fencing

**Classic Acoustic Wall**

200m x 1.5/1.8m high

**Flush Capping, Solid Wall**

The 1500mm and 1800mm high solid panel acoustic wall was made a feature by alternating the 900mm and 600mm solid panels to make a feature out of the paint combinations.



# Parkland Subdivision

The Napier Council required a noise attenuation and security wall for its subdivision in Parklands. The project was bordering the expressway so noise reduction was an important feature. In 15 days we were able to construct 1500m of 1.8m high barrier wall.

Project Specifications:

**Signature Acoustic Wall**

1500m x 1.8m high

**Exposed Capping, Solid Wall**

1800mm high Solid acoustic wall

**"We were all very happy with the work carried out. Everything was done in a very efficient and professional manner and the guys are a great team to work with. Thanks again."**

Napier Council



# Queen Street Cycleway

The cycleway in Auckland had to have a noise wall as part of the entrance onto Queen Street. BelAire delivered exactly what was required and could reduce the required amount of noise as specified, with the 4.1mtr high wall this was the perfect solution to satisfy acoustic engineers requirements.

Project Specifications:

**Signature Acoustic Wall**

25mtr x 4.1m high

**Exposed Capping, Solid Wall**

The 1800mm high Solid acoustic wall used 100uc14 Beams for the posts at 2200mm post centers.



# Horse Training Facility

Noise wall was required for around the residence of the stables and training facility in Cambridge. BelAire were able to supply, install and deliver exactly what the client was looking for to reduce noise from both the highway and also the horse training facility.

Project Specifications:

**Client:** Rogerson Stables

## **Signature Acoustic Wall**

150m x 2.7m high

## **Exposed Capping, Solid Wall**

The 2700mm high solid panel acoustic wall was made up of 3 x 900mm high solid panels. The terrain we could facilitate by cutting the bottom panels on an angle to suit the slope. The client also required a solid sliding gate for the driveway and a solid hinged pedestrian gate. Complete project was delivered in full and on time with minimal site disruption.







# Colour Wall Steel Fencing



Scan to view all  
BelAire fence drawings

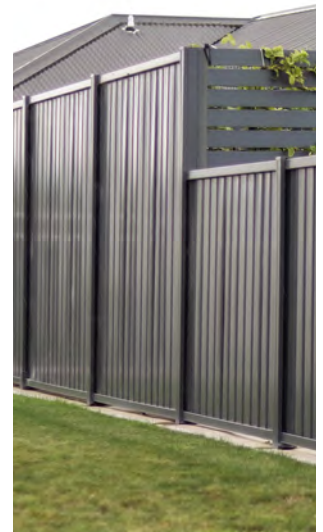
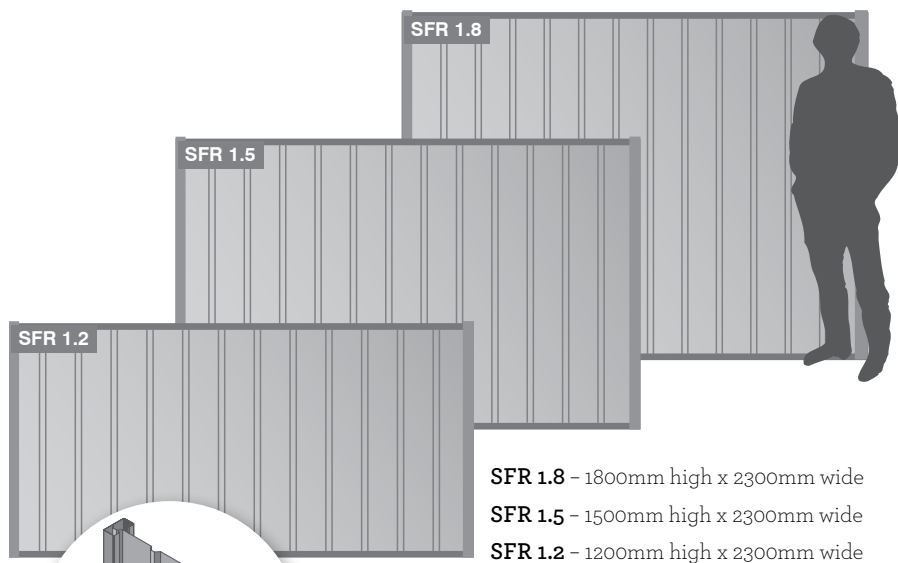
BelAire<sup>®</sup>  
DESIGNER FENCING

*...make it your own!*

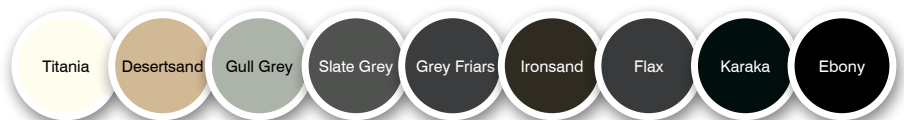


# FRONTIER

Strong and durable coloured steel panels

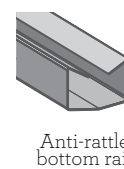
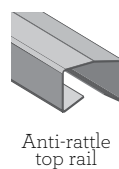
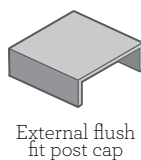
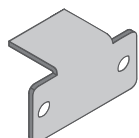
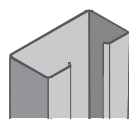
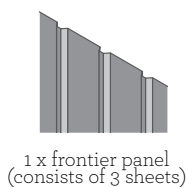


**SFR 1.8** - 1800mm high x 2300mm wide  
**SFR 1.5** - 1500mm high x 2300mm wide  
**SFR 1.2** - 1200mm high x 2300mm wide



**Colours:** Post and insert colours can be combined. Colours must be specified when ordering.

Each FRONTIER panel includes:

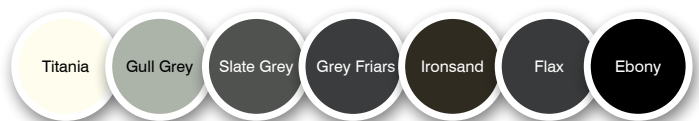
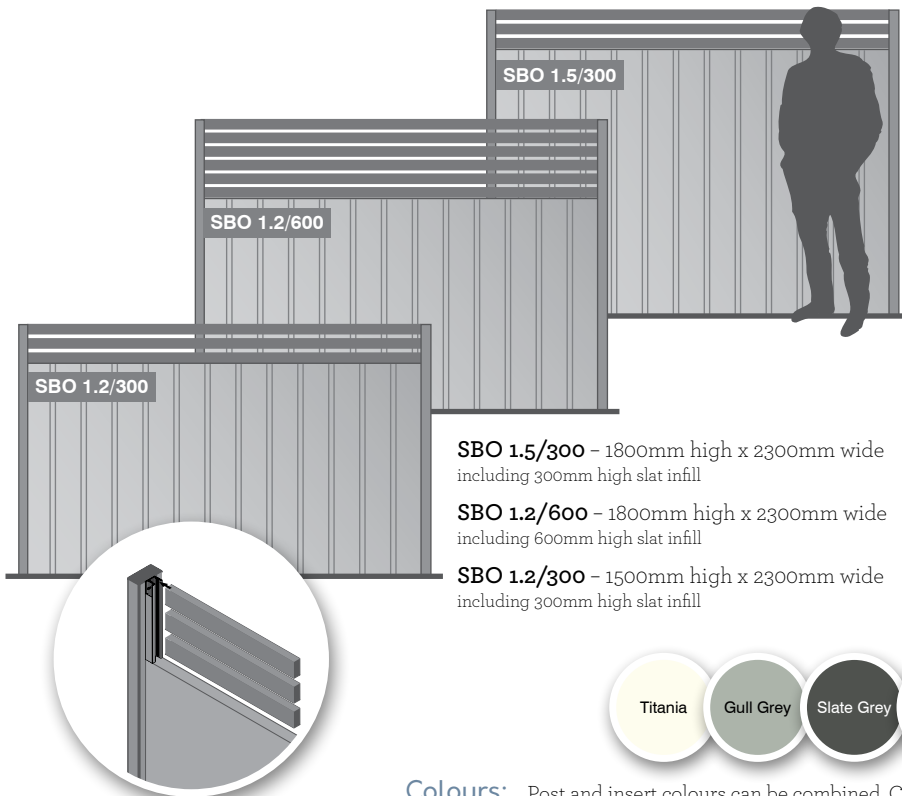


Assembly required -  
all fixings are supplied.



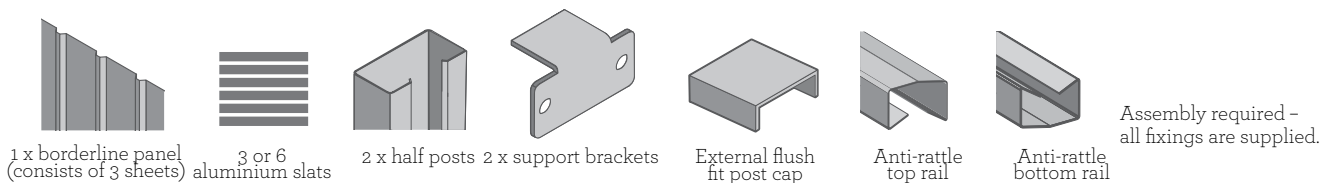
# BORDERLINE

Durable coloured steel panels with slat trim

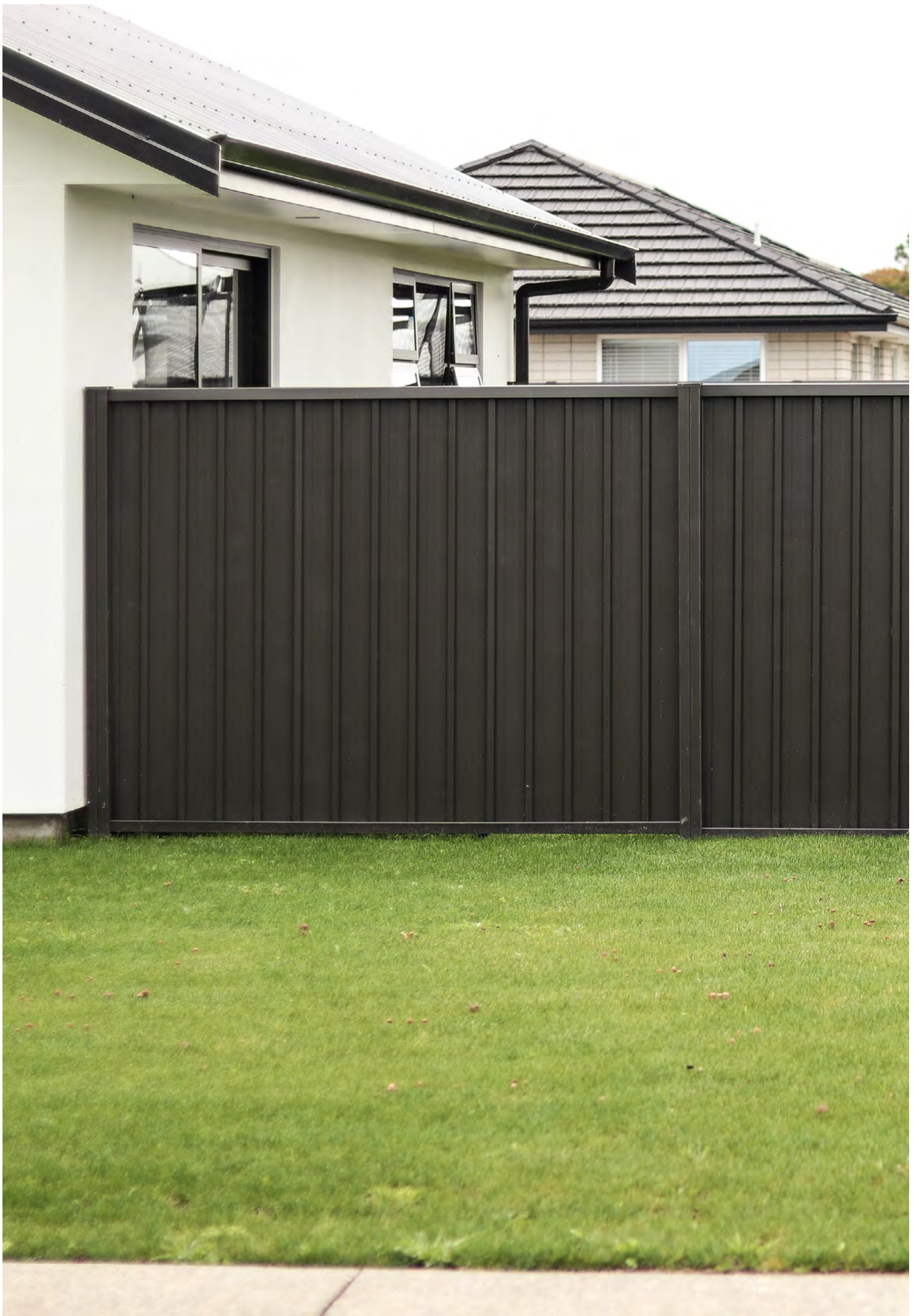


**Colours:** Post and insert colours can be combined. Colours must be specified when ordering.

Each BORDERLINE panel includes:









# Gates



Scan to view all  
BelAire fence drawings

**BelAire**<sup>®</sup>  
DESIGNER FENCING

*...make it your own!*



# HORIZONTAL SLAT GATES

## Construction:

Powdercoated aluminium.

## Slat dimensions:

- Standard 85mm (height) x 25mm (width)
- Custom 60mm (height) x 25mm (width)

Also available in solid slat option.

**Height:** 1200mm - 2100mm

**Pedestrian Gate Width:** 800mm - 2500mm

**Driveway Swing Gate Width:** 800mm - 2500mm

**Driveway Sliding Gate Width:** 2500mm - 6000mm

**Colour:** Client's choice of any Dulux powdercoat colour

## Standard Colour Options:



Titania



Gull Grey



Slate Grey



Grey Friars



Ironsand



Flax



Ebony

## OPEN SLAT



## SOLID SLAT



# VERTICAL SLAT GATES

**Construction:**

Powdercoated aluminium.

**Slat dimensions:**

- Standard 85mm (height) x 25mm (width)
- Custom 60mm (height) x 25mm (width)

Also available with solid slats.

**Height:** 1200mm - 2100mm

**Pedestrian Gate Width:** 800mm - 2500mm

**Driveway Swing Gate Width:** 800mm - 2500mm

**Driveway Sliding Gate Width:** 2500mm - 6000mm

**Colour:** Client's choice of any Dulux powdercoat colour

**Standard Colour Options:**



## OPEN SLAT



## SOLID SLAT

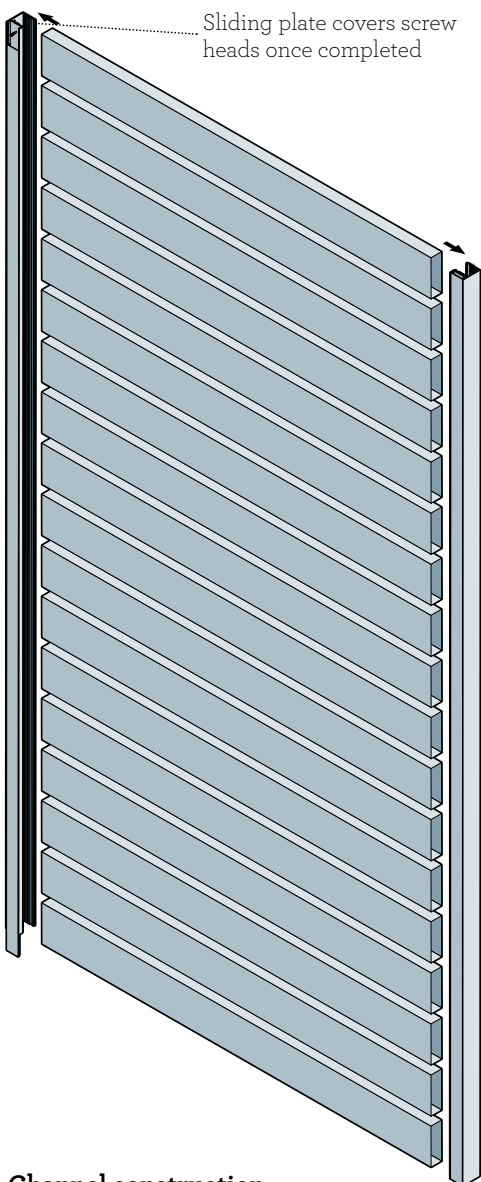


# HORIZONTAL ECO SLAT GATE KIT

## Introducing our new, economical, cut-to-size, kitset slat gate

Supplied in kit form as: Two 1185mm channels and 12 x 1000mm wide slats (85mm x 25mm), or  
Two 1485mm channels and 15 x 1000mm wide slats (85mm x 25mm), or  
Two 1785mm channels and 18 x 1000mm wide slats (85mm x 25mm)

Gates also include 2 x stainless steel butt hinges, and a Viper Gravity latch (lockable from both sides)  
Simply assemble your gate - the sliding plate covers will cover the screws to provide a professional finish.



**Channel construction:**  
Powder-coated aluminium.

Channel: 39mm x 32mm  
(includes sliding screw cover plate)

**Height:** 1200mm, 1500mm and 1800mm

**Pedestrian Gate Width:** Up to 1000mm

**Powder-coat colours:**



Titania



Gull Grey



Slate Grey



Grey Friars



Ironsand



Flax



Ebony



**Above:**

Double eco slat gate kits

**Slat construction:**

85mm x 25mm

1.6mm powder-coated aluminium

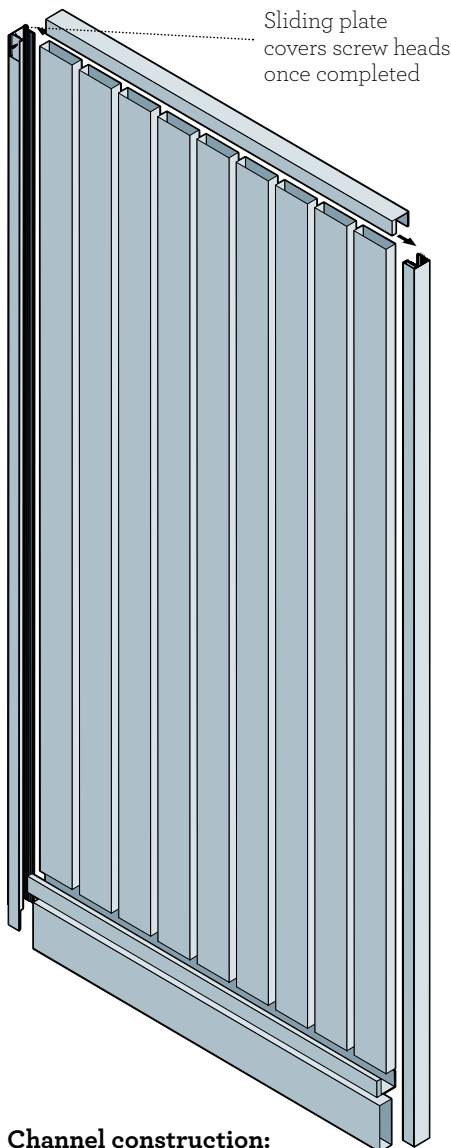
It is important to note that our gates with 25mm wide slats are superior in strength to some inferior gates with 16mm wide slats.

# VERTICAL ECO SLAT GATE KIT

## Introducing our new, economical, cut-to-size, kitset slat gate

Supplied in kit form as: Two 1200mm and two 936mm channels and 9 x 1095mm and one 985mm Slat, or  
Two 1500mm and two 936mm channels and 9 x 1395mm and one 985mm Slat, or  
Two 1800mm and two 936mm channels and 9 x 1695mm and one 985mm Slat

Gates also include 2 x stainless steel butt hinges, and a Viper Gravity latch (lockable from both sides)  
Simply assemble your gate - the sliding plate covers will cover the screws to provide a professional finish.



**Channel construction:**  
Powder-coated aluminium.

Channel: 39mm x 32mm  
(includes sliding screw cover plate)

**Height:** 1200mm, 1500mm and 1800mm

**Pedestrian Gate Width:** Up to 1000mm

**Powder-coat colours:**



Titania



Gull Grey



Slate Grey



Grey Friars



Ironsand



Flax



Ebony



### Slat construction:

85mm x 25mm

1.6mm powder-coated aluminium

It is important to note that our gates with 25mm wide slats are superior in strength to some inferior gates with 16mm wide slats.

# LOUVRE GATES

---

**Construction:**

Powdercoated aluminium.

**Louvre dimensions:**

- 135mm (height) x 30mm (width)

**Height:** 1200mm - 2100mm

**Pedestrian Gate Width:** 800mm - 2500mm

**Driveway Swing Gate Width:** 800mm - 2500mm

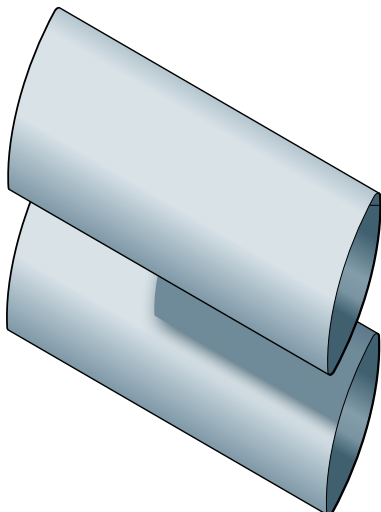
**Driveway Sliding Gate Width:** 2500mm - 6000mm

**Colour:** Client's choice of any Dulux powdercoat colour



All gates come with a 60mm x 60mm aluminium frame as standard unless stated otherwise.

For larger sliding gates we use a 100mm high x 60mm width bottom rail for strength and a 60mm x 60mm surround frame.





# SOLID GATES

**Construction:**

0.55mm preprimed steel outer skins.  
13mm expanded polystyrene core.  
Welded aluminium frame.

**Panel dimensions:**

- Up to 1200mm (width)  
x 2100mm (height)

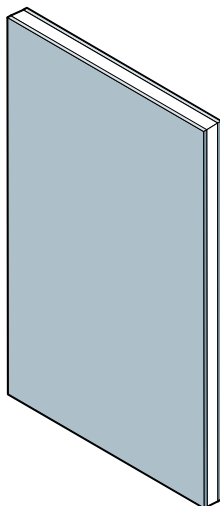
**Height:** 1200mm - 2100mm

**Pedestrian Gate Width:** 800mm - 2500mm

**Driveway Swing Gate Width:** 800mm - 2500mm

**Driveway Sliding Gate Width:** 2500mm - 6000mm

**Colour:** Ready for priming and painting



# AURORA GATES

---

**Construction:**

Powdercoated aluminium.

**Slat dimensions:**

- Standard 60mm (height) x 25mm (width)

**Height:** 1200mm - 2100mm

**Pedestrian Gate Width:** 800mm - 2500mm

**Driveway Swing Gate Width:** 800mm - 2500mm

**Driveway Sliding Gate Width:** 2500mm - 6000mm

**Colour:** Standard in Ebony, also available in custom colours

## AURORA GATE DESIGNS

P72 OR L79



L63



P60 OR L78



P49 OR L47



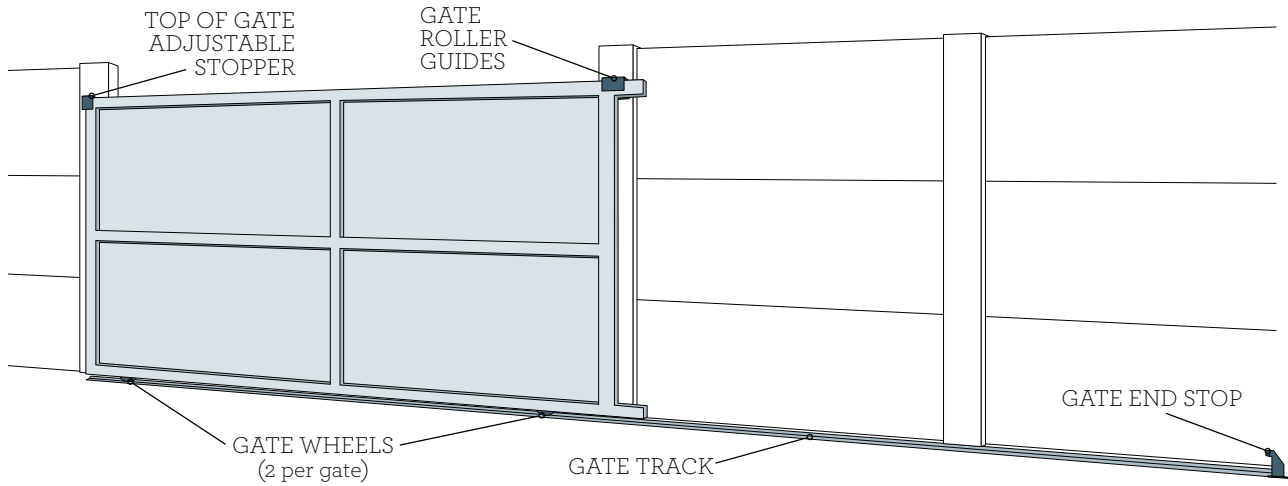
L63S



P60S OR L78S



# SLIDING GATES



## GATE ROLLER GUIDE

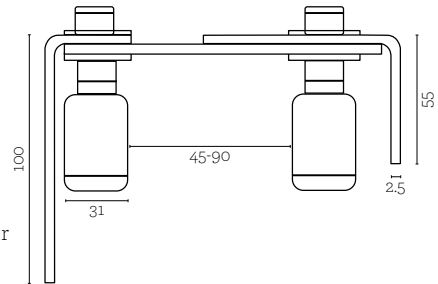
Heavy Duty 2.4mm Steel



Order Code: BSG-R

**SPECIFICATION**

- Heavy duty top gate support roller
- Powdercoated black



## TOP OF GATE ADJUSTABLE STOPPER

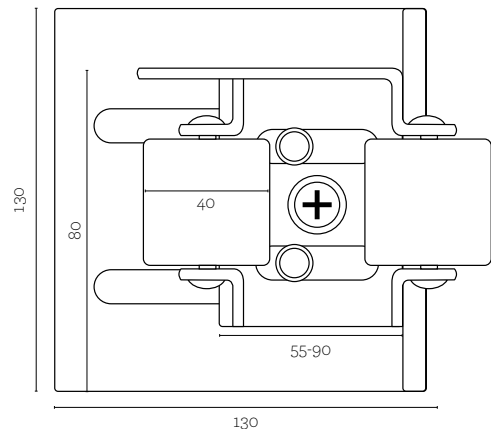
Heavy Duty 2.4mm/8mm Steel



Order Code: BSG-TS

**SPECIFICATION**

- Fully adjustable end catch
- Heavy duty
- Powdercoated black



# GATE TRACK

## Heavy Duty 3mm Galvanised Steel

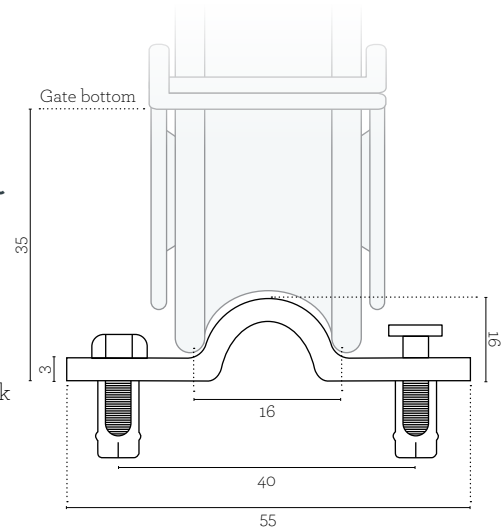


Order Code: BSGT

**SPECIFICATION**

- Heavy duty galvanised gate track
- Fittings excluded

Supplied in 3m long lengths



# GATE WHEELS

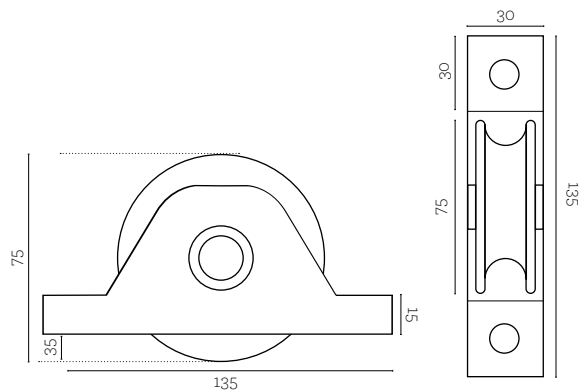
## Heavy Duty Steel



Order Code: BSG-W

**SPECIFICATION**

- Heavy duty up to 300kg
- Powercoated black



# GATE END STOP

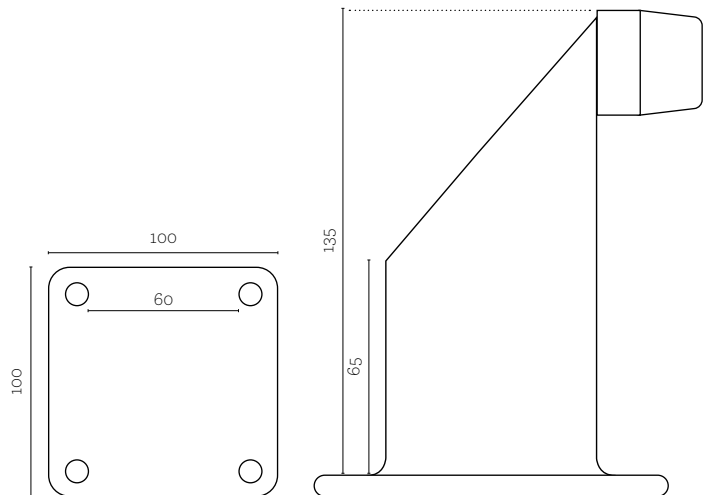
## Heavy Duty 8mm Steel



Order Code: BSG-ES

**SPECIFICATION**

- Rigid bolt down
- Powercoated black



# SLIDING GATE GUIDE

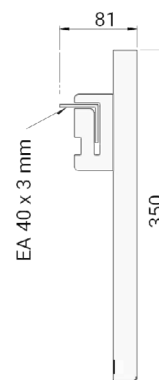
## Designed for the Aurora Sliding Gates



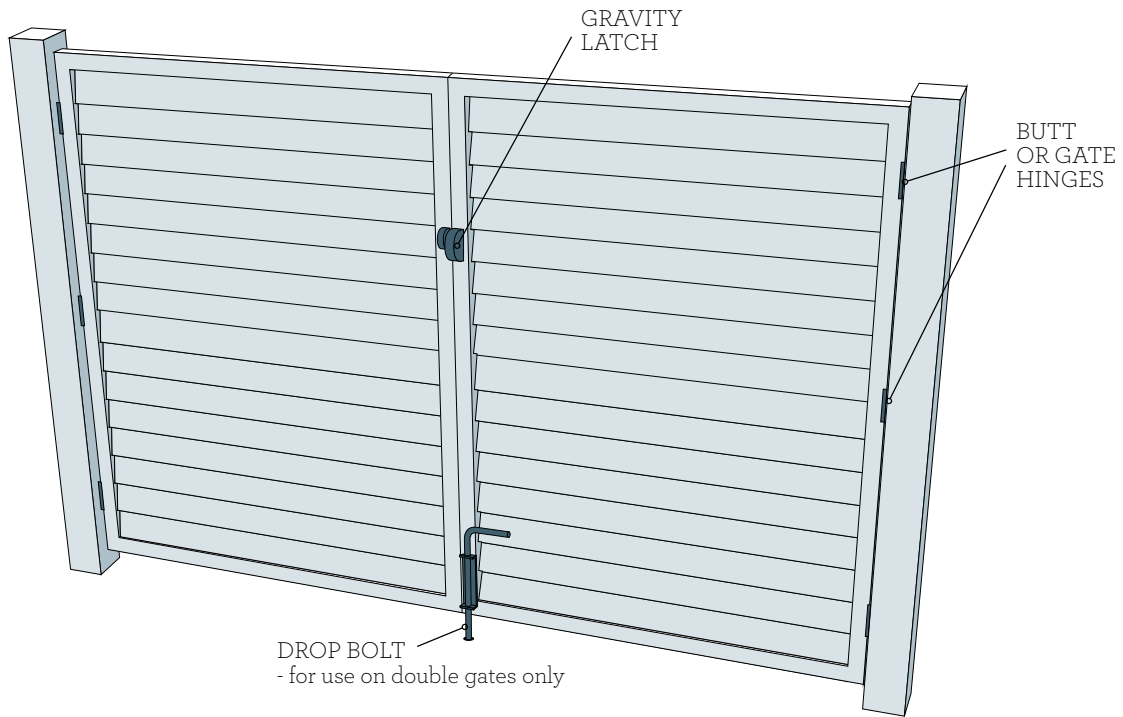
Order Code: TRUGLIDE-350

**SPECIFICATION**

- Good for slopping driveways
- Adjustable heights



# HINGED GATES



## GRAVITY LATCH

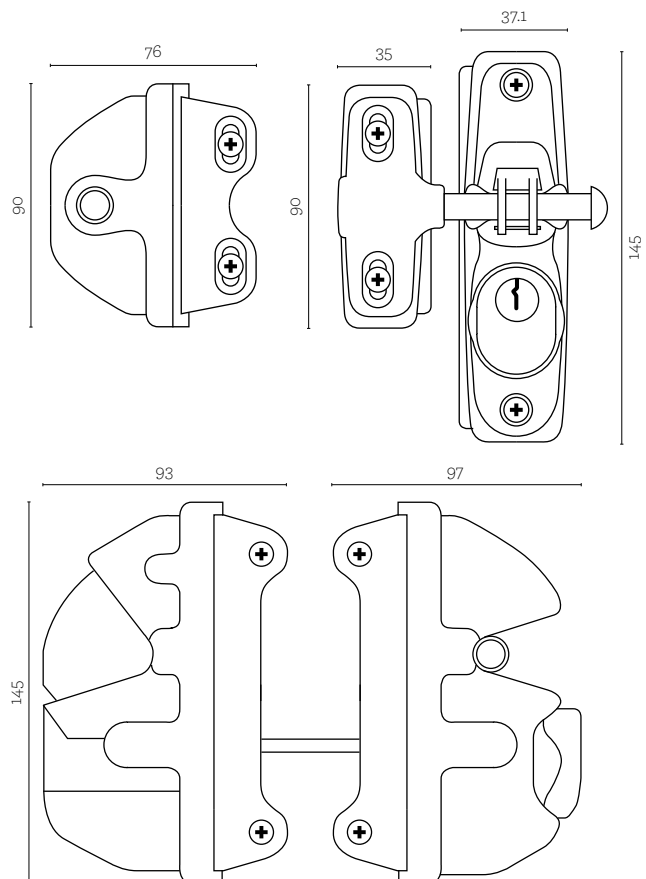
Polymer and Stainless Steel



Order Code: SLV-Viper-X2

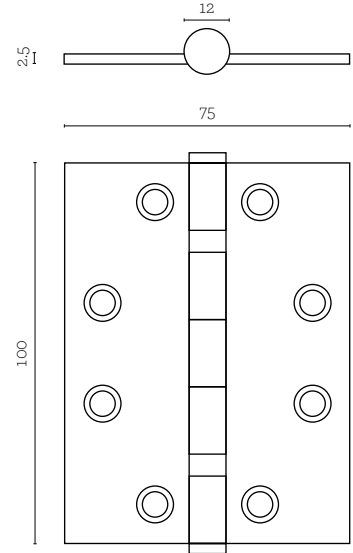
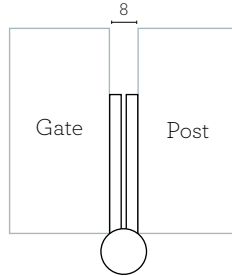
### SPECIFICATION

- High grade polymer and stainless steel
- Resists UV and rust degradation
- Keyed alike or individually keyed



# STAINLESS STEEL BUTT HINGE

## 304 Grade Satin Finish Stainless Steel



Order Code:

**Stainless:** BELBUTT

**Black:** BELBUTT-B

### SPECIFICATION

- 304 grade stainless steel
- Satin & Black finish
- Fixed pin
- Square edge
- Stainless steel screws supplied
- Size: 100mm x 75mm 2.5mm
- For gates from 900 - 1500mm wide
- Rivets provided

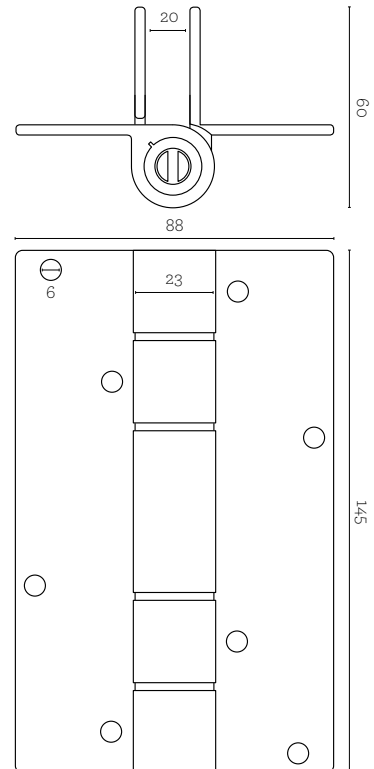
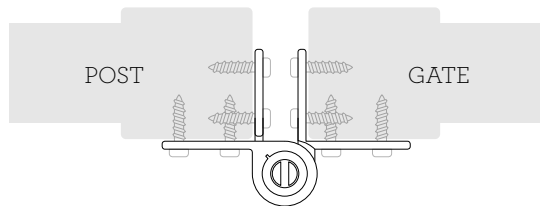
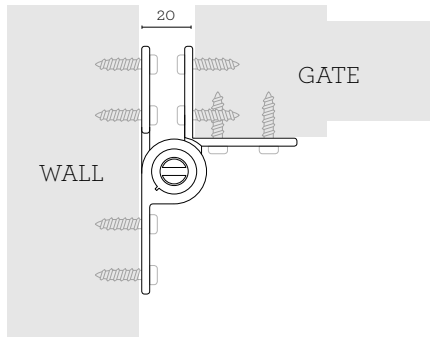
When using **STAINLESS STEEL BUTT HINGES**, leave a gap between the posts that is:

- 25mm wider than the gate (for a single gate) or
- 35mm wider than the gates (for double gates).

This is our standard hinge used unless otherwise specified

# HEAVY-DUTY BLACK HINGE

## 3mm Aluminium Wall or Post Mounted



Order Code: BELKFH

### SPECIFICATION

- 3mm aluminium
- Black satin finish
- Adjustable tension
- Size: 145mm x 88mm 55mm
- For gates up to 1500mm wide

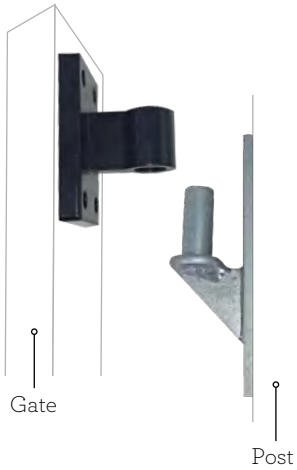
When using **HEAVY-DUTY BLACK HINGES**, leave a gap between the posts that is:

- 35mm wider than the gate (for a single gate) or
- 55mm wider than the gates (for double gates).

# HINGED GATES

## HEAVY DUTY GATE HINGES

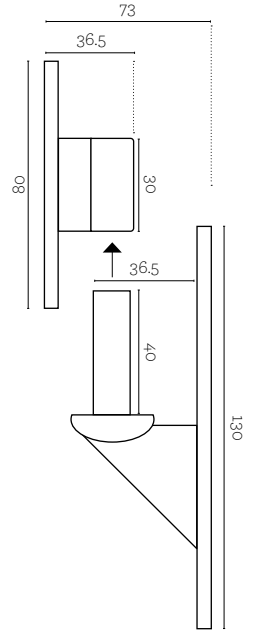
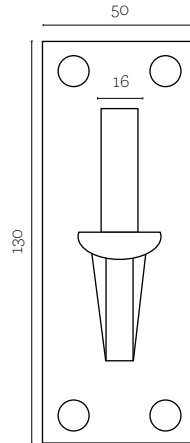
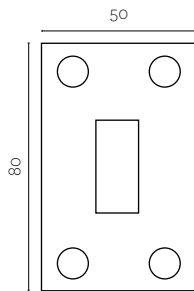
8mm Steel



Order Code: BELHDGH

**SPECIFICATION**

- Screw on fittings
- Powercoated to same as gate colour
- For gates 1500 - 2500mm wide



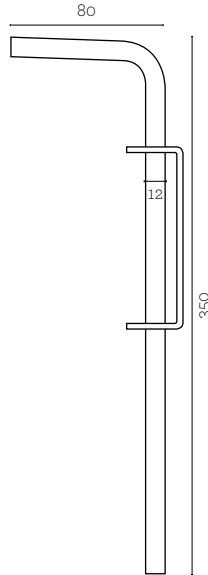
## DROP BOLT

12mm Diameter Steel

Order Code:  
**Stainless:** BELDB

**SPECIFICATION**

- Screw on fittings



Order Code:  
BELDB

# POOL HINGE & LATCH SET

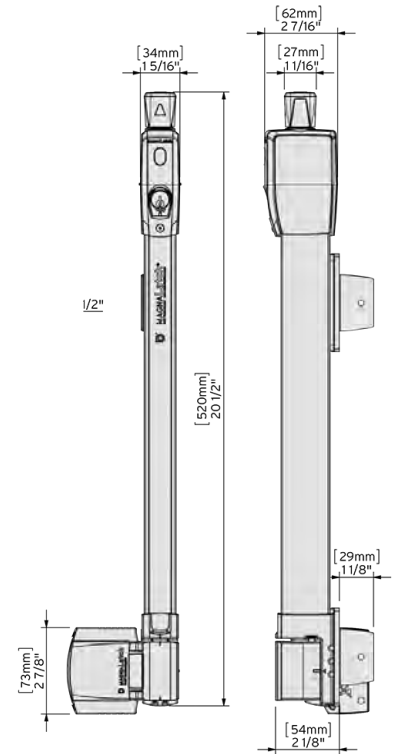
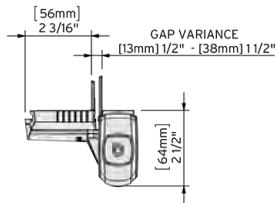
SET INCLUDES 2 HINGES & LATCH: Order Code: PGH

## MAGNETIC SAFETY LATCH

Polymer and stainless steel

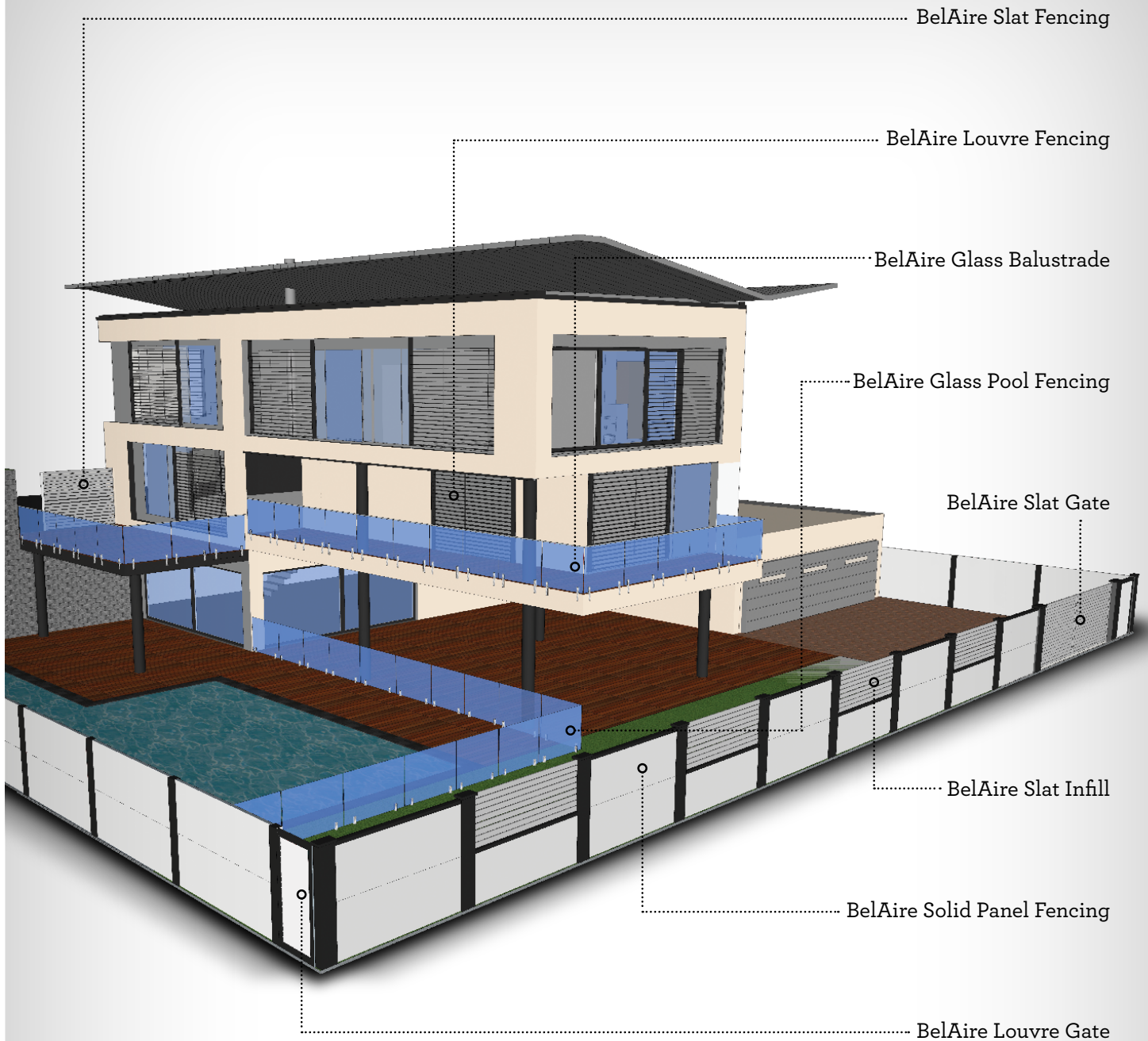
### SPECIFICATION

- Visual indicator shows locked/unlocked status
- New, higher-security lock cylinder
- Vertically and horizontally adjustable
- Indicator marks show if adjustment is required
- Meets all Australian and NZ Standards for pool gates
- Minimum post size: 25mm+
- Ideal gate gap: 19mm
- Fixing method: screw-on









For more information, call us to speak to one of our friendly team:

**0800 235 2473**

BelAire Designer Fencing is a division of:



**BelAire Designer Fencing**

PO Box 3030, Hawke's Bay Mail Centre, Napier 4142 New Zealand

**Tel:** 0800 BELAIRE (0800 235 2473) · **Fax:** 06 878 5758

**Email:** [info@belairefencing.co.nz](mailto:info@belairefencing.co.nz) · [www.belairefencing.co.nz](http://www.belairefencing.co.nz)